



# **User Guide: Swipe interface**

**Orbital Shower (OS8732-Ei2, OS8733-E)**

5-06-0046

Publication date 2026-07-03



## Table of Contents

Thank you for your purchase .....	4
Connect your shower .....	5
Operating the shower .....	6
Status center .....	8
Experience center .....	9
Open the Wall Box door .....	10
Pair your device with Orbital Audio .....	11
Automated cleaning .....	12
Maintenance .....	13
Maintenance Overview & Notifications .....	14
Change the Filter Capsule .....	15
Descale .....	18
Clean the drain .....	19
Low UV level .....	23
Detergent cleaning .....	24
Hibernation mode .....	25
Clean shower heads, Control Dial and external surfaces .....	26
Prerequisites and Approvals .....	27
EU Declaration of Conformity .....	28

## Thank you for your purchase

 Read the Safety Guide before starting the installation or before operating the shower.

Thank you for purchasing the Orbital Shower from Orbital Systems. To enjoy the full potential of the shower please read and follow the procedures in this manual. Make sure that you fully understand how to operate this shower and make sure that it is properly maintained in accordance with the instructions given in this manual. Do not discard this manual, keep it handy for future reference. This manual is valid for all shower models. When applicable, the manual will only display the Orbital Systems overhead shower & hand shower variant.

## Connect your shower

Use the **My Water by Orbital Systems** app to access all shower settings, connect your shower to Wi-Fi, receive the latest software releases, get remote troubleshooting from Orbital Support, track your savings, and receive notifications when maintenance and care are needed.

---

1. Tap **Sign up** to create an account.

---

2. Go to **Add Device** and follow the instructions provided in the app.

---

3. Once your shower is connected, we recommend starting with the following settings:
  - a. Go to **Device information** to add a name to your shower.

---

  - b. Go to **Settings** to adjust your Control Dial shower profile to **Home** or **Business**.

---

  - c. Go to **Advanced Settings** to set up the **Date & Time**.

### Get the most out of the My Water app

Many useful settings are only available in My Water. By connecting your shower you can track your savings, adjust the cleaning schedule, receive notifications when maintenance and care are needed, and control your shower with the remote control. A few highlights worth setting up:

**Instant start.** By default, the shower has a startup time of about 30 seconds before water starts running. Use Instant start to schedule times when water runs instantly.

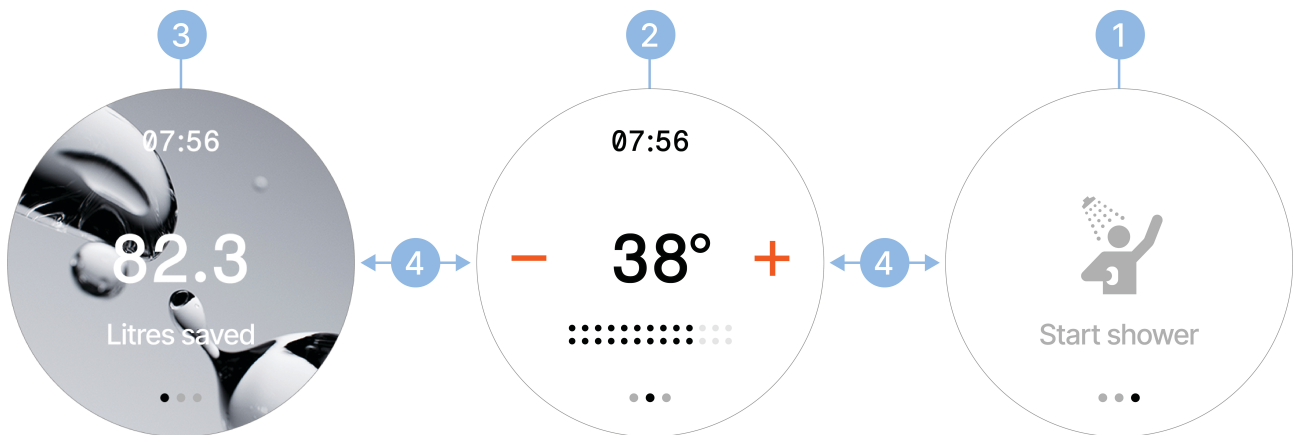
**Custom message.** Add a message that appears on the Control Dial when the shower is approached.

Browse the app to explore and configure all your settings.

# Operating the shower

*Tip:* Does this look different from the interface on your Control Dial? You may have the Classic interface, see the [Classic interface User Guide](#) instead.

## Main screens



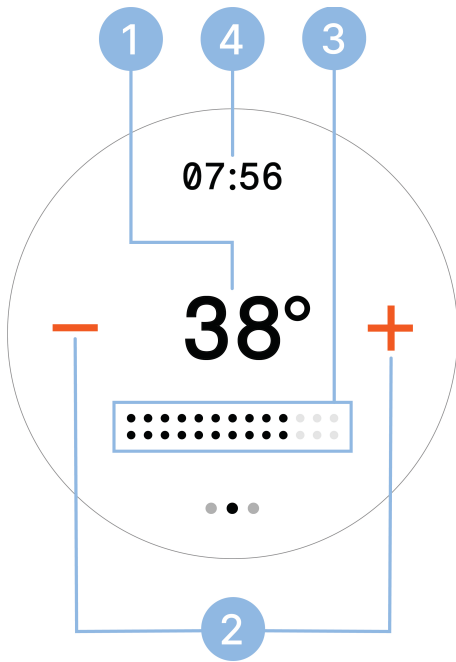
1. Start screen. *Tap* to start the shower. By default, there is a startup time of about 30 seconds before water starts running. The Start screen fades out once the shower is running.  
*Tip:* Use Instant start to schedule times when water runs instantly, with no startup delay. Set it up in the My Water app (Shower settings).

2. Shower controls screen. See details below.

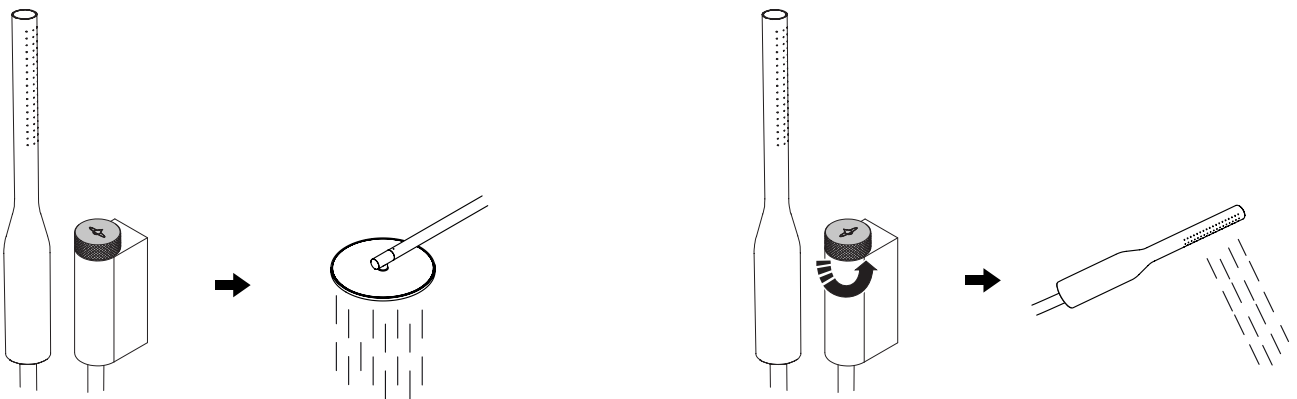
3. Savings screen. Slides in automatically as soon as the shower starts saving water.

4. *Swipe* left or right to switch between screens.

## Shower controls

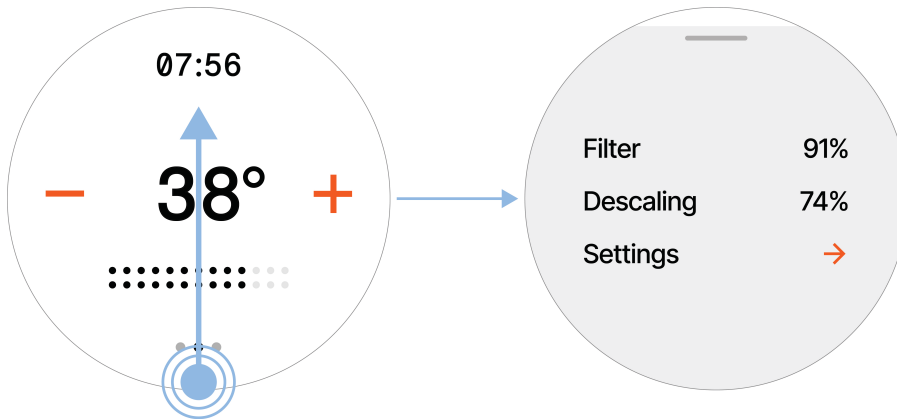


1. Tap the center to start and stop the shower. Long press to access the Asteroids game.
2. Tap to change the temperature one degree at a time. Long press to change it quickly.
3. Slide to control the water flow.
4. Tap to toggle between the clock (default) and the session timer. The clock requires an internet connection to be displayed. It can be disabled in My Water (Shower settings).



Turn the diverter to switch between the overhead shower and hand shower.

## Status center



Swipe up from the bottom edge of the screen to open the Status center. Swipe down from the top edge to close it again.

## Settings

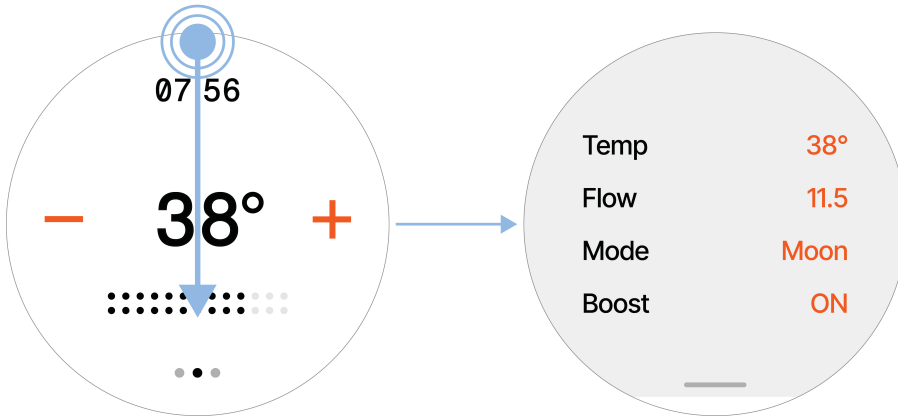
<b>Display</b>	
Brightness	Slide to set the screen brightness from 0 to 100%.
Appearance	The Control Dial has two visual themes: Dark theme and Light theme.
Units	<i>Metric:</i> litres, °Celsius, and 24-hour clock. <i>Imperial:</i> gallons, °Fahrenheit, and 12-hour clock.

<b>Maintenance</b>	
Descale	Activates the Descaling program. Can only be started when the shower is idle. See Chapter <a href="#">Descaling [18]</a> for more details.
Deep cleaning	Part of the Automated cleaning cycle; but can also be run manually when the shower is idle. See <a href="#">Automated cleaning [12]</a> for more details.
Detergent cleaning	Part of the Hibernation preparation; but can also be run manually when the shower is idle. See <a href="#">Detergent cleaning [24]</a> for more details.
Screen cleaning	Locks the Control Dial screen so you can wipe it without accidentally activating the touchscreen.  <i>Long press</i> to unlock the screen again.

<b>Device</b>	
Device ID	Displays the shower's unique ID.
Hibernation mode	Sets the shower into a resting state for longer periods of non-use, for example in between stays in a summer house or off-season at a hotel. See <a href="#">Hibernation mode [25]</a> for more details.
Factory reset	Resets the shower to its factory settings. Choose whether to keep the Wi-Fi settings or reset them as well.

<b>Add Wi-Fi</b>	Initiates Wi-Fi setup, which is then continued in My Water. Available only when the shower is idle.
------------------	---

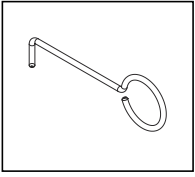
# Experience center



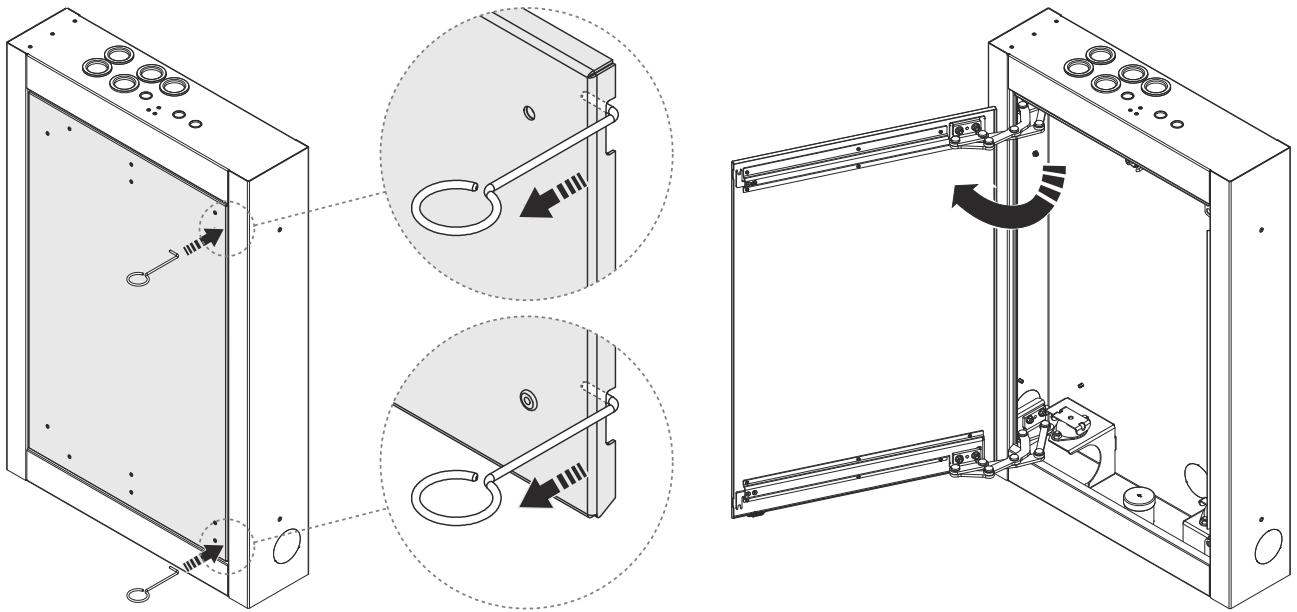
Swipe down from the top edge of the screen to open the Experience center. Swipe up from the bottom edge to close it again.

Saving modes	
Legacy	Turns off the recirculation. The mode to choose when your dog needs a shower for example.  Certain conditions can temporarily lock the shower in Legacy mode (greyed out), for example if the UV level is too low or the drain needs cleaning. Tap <i>Legacy</i> to see what's causing it.
Earth	The standard saving mode, combining maximum comfort with great savings.
Moon	Takes savings to a new level by allowing temporary variations in flow and temperature.
Mars	Maximise savings by allowing some variations in both flow and temperature. This mode could affect the lifespan of Filters.
Flow boost	Allows the shower to provide a higher flow than the incoming water supply, while the shower is recirculating.

## Open the Wall Box door



To open the door, insert the hook in the slots on the right side of the door and pull straight out.



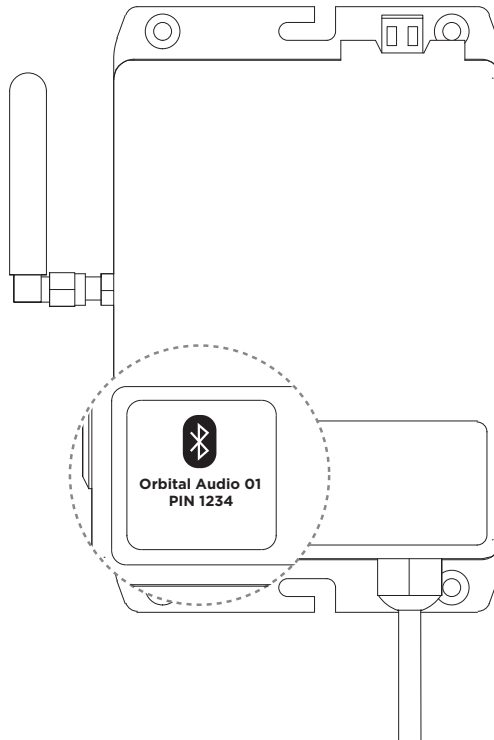
## Pair your device with Orbital Audio

Orbital Audio is an optional add-on product, and the following instructions are valid if your shower is installed with Audio.

You will find the name and PIN of your Orbital Audio on the amplifier. The placement of the amplifier depends on your installation model. For **Basic**, the amplifier is mounted on the wall next to the Core. For **Hatch**, the amplifier is mounted in the top-left corner, inside the Wall Box. See [Open the Wall Box door \[10\]](#) for instructions on opening it.

---

1. Check the name and PIN on the amplifier.



2. On your device, open the Bluetooth settings and select your Orbital Audio from the list.
- 

3. Enter the PIN. Once your device is on the Orbital Audio's list of paired devices, the PIN is no longer required to reconnect.
- 


4. Play music from your device.



### NOTE

Depending on the Orbital Audio variant installed, the speaker can remember either up to eight paired devices (typically residential installations) or just one (typically hotel installations). If a new device is paired while the list is full, the least recently added device is removed from the list. In hospitality venues, keep the PIN available to your guests.

## Automated cleaning

Procedure	Description	Duration
Express cleaning	Express cleaning is performed directly after a shower session has finished, to prepare for the next one. During the Express cleaning the shower heats water internally and circulates it inside the Core - similar to the Deep cleaning but faster and without the shower head cleaning.	~ 4 min.
Deep cleaning (+ shower head cleaning)	<p>During the Deep cleaning, the shower heats water and circulates it internally. The shower then proceeds to clean the inside of the shower heads by pushing out small amounts of warm water that drips into the shower space. This cleans the shower head or the hand shower, depending on the position of the diverter. Regularly alternate the diverter's position after shower sessions to clean both the hand shower and the shower head. Should the radar detect a presence in, or close to, the shower space during the shower head cleaning it will pause instantly. Deep cleaning will be done once a day, each day the shower has been used. If the shower has not been used, the deep cleaning will be skipped for a maximum of two days in a row. The start time can be customized in the My Water app.</p> <p> <b>CAUTION</b> While the sequence is active, the shower heads will output small bursts of hot water into the shower space.</p>	~ 19 min.

# Maintenance

Follow the cleaning and maintenance instructions in this manual to maximize the shower's lifespan and performance.

The Orbital Shower uses a number of consumable components that will require periodic replacement to ensure optimal performance throughout the product's lifespan. The frequency of consumable replacement depends on a number of factors including usage, water quality, contamination levels and the adherence to regular maintenance and cleaning procedures outlined in this manual. All consumables are included in the Care Plan. [Contact Orbital Support](#) when you need to order new consumables. To read more about each specific consumable, see the information below.

**Do not use any corrosive detergents or abrasive cloths during the cleaning and maintenance of the Orbital Shower.**

---



## Filter Capsule

The Filter Capsule is a consumable and should be changed as soon as prompted by the system. It is essential to maintain a high standard of water purification and general shower functionality. The Filter's lifespan could be reduced if, for example, toothpaste or fatty products like oils are used while showering.

## Descaling tablet

The Descaling tablet is a consumable and should always be used when running the Descaling procedure. Please exit the shower area while the descaling procedure is running. The active chemical ingredients in the Descaling tablets are fully biodegradable and environmentally friendly. The chemicals are food-safe and typically used for descaling coffee machines.

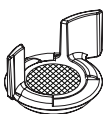
## Orbital Shower detergent

The Orbital Shower detergent is a consumable and should always be used when running the Detergent cleaning program. Please exit the shower area while the detergent procedure is running.





---

## Recirculation Mesh

The Recirculation Mesh is *not* a consumable and should only be replaced if it is damaged or not functioning properly. The Recirculation Mesh is automatically cleaned after each shower session. However, it should also be inspected and cleaned whenever the Sensor Tank is cleaned. Failing to maintain the Recirculation Mesh may lead to clogging which will affect the ability to recirculate water. Please contact Orbital Systems if Recirculation Mesh needs to be replaced.





# Maintenance Overview & Notifications

Maintenance procedure	When to perform	Estimated time to perform	Consumables needed
 <p><b>Change the Filter Capsule</b> - See Chapter <a href="#">Change the Filter Capsule [15]</a> for detailed procedure instructions.</p>	<p>When notified by the system. On average the Filter needs to be changed every three months (assuming one shower session per day).</p>	-15 s	<b>Filter Capsule:</b> included in the Care Plan.
 <p><b>Descal</b> - See Chapter <a href="#">Descal [18]</a> for detailed procedure instructions.</p>	<p>When notified by the system. Frequency depends on your water hardness setting; by default about once every three weeks (assuming one shower session per day).</p> <p>Optimise the descaling intervals for your water hardness by going to Shower settings → Adaptive descaling in the My Water app.</p>	-15 s	<b>Descaling Tablet:</b> included in the Care Plan.
<p><b>Clean the drain</b> - See Chapter <a href="#">Clean the drain [19]</a> for detailed procedure instructions.</p>	<p>Once a month, or sooner if notified by the system.</p>	-3 min	
 <p><b>Low UV level</b> - See Chapter <a href="#">Low UV level [23]</a> for more information.</p>	<p>When notified by the system, which is typically very rare. The frequency depends on the contamination load and water hardness.</p>		
 <p><b>Lost internet connection</b></p>	<p>Indicates that the shower can not connect to the internet. Troubleshoot your connection and check your network settings.</p>		

# Change the Filter Capsule

Needed consumable: Filter Capsule

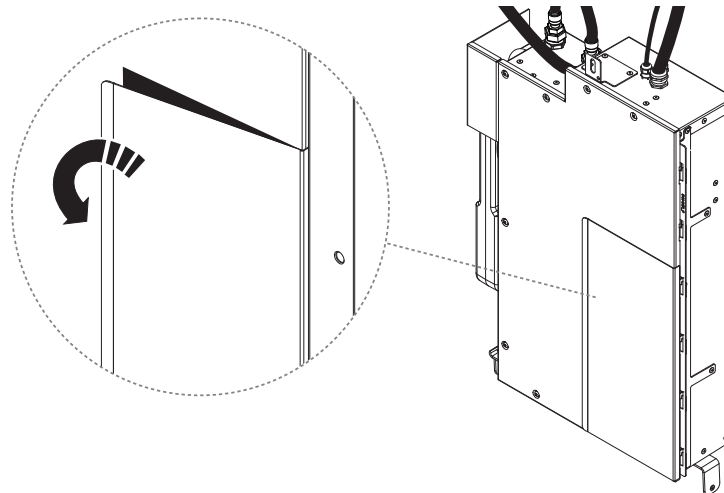
- Filter Capsule Model No: **OS C1050085A10**
- Use only Orbital Systems Filter Capsule **OS C1050085A10** in the shower system
- Spare Part Reference: 1-05-0496 Filter Capsule

	Change filter notification shown in the My Water app.
	Change filter notification shown in the Control Dial. The notification will stay on the screen until it has been dismissed ( <i>swipe downwards</i> ), or until the Status center has been opened.

After the filter has been changed, it may take up to one shower session before the notification disappears.

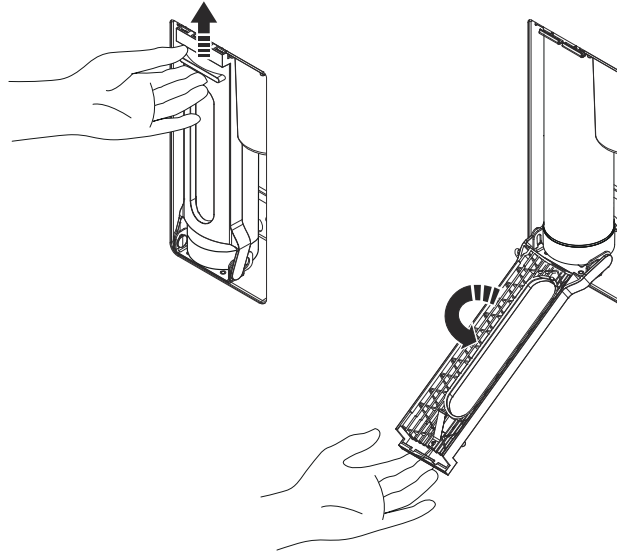
For instructions on opening the Hatch Wall Box, see [Open the Wall Box door \[10\]](#).

1. Open the filter hatch on the Core.



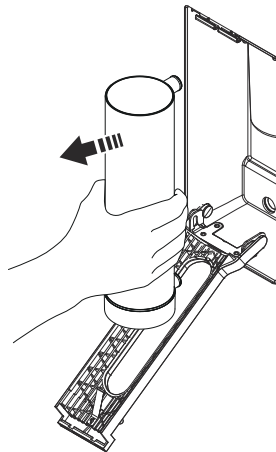
---

2. Release the filter holder.



---

3. Remove the Filter Capsule.



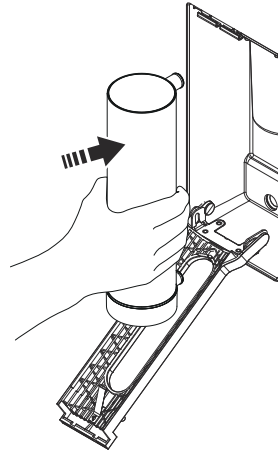
---

4. Insert the new Filter Capsule and close the hatch.



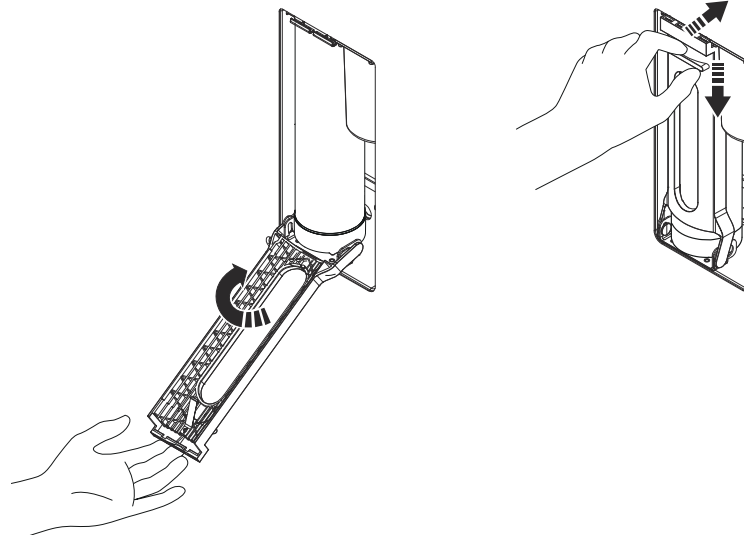
**RISK OF LEAKAGE**

Make sure the Filter Capsule is inserted all the way in, or leakage may occur.



---

5. Close the filter holder and hatch on the Core.



# Descal

## Needed consumable: Descaling tablet





### CAUTION

Please exit the shower area while the descaling is active. Once the descaling has started, water will start to pour out of the shower heads.



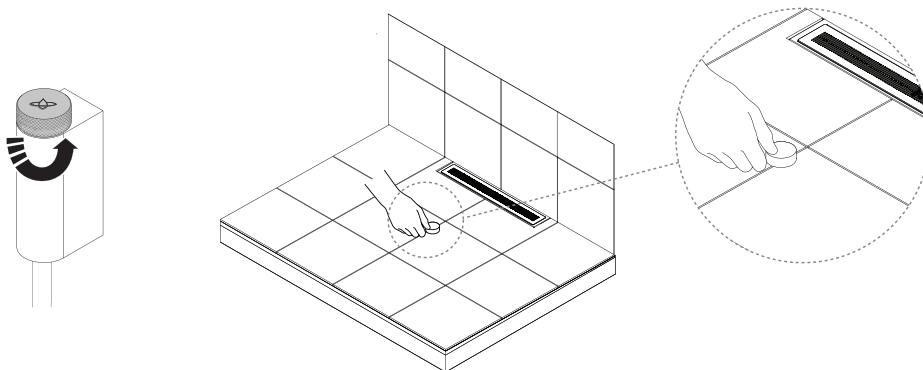
### NOTE

Note that the descaling tablet is acidic. Repeated contact may affect the appearance of acid-sensitive floor materials, including some natural stones such as limestone or marble.

	Descal notification shown in the My Water app.
	Descal notification shown in the Control Dial. The notification will stay on the screen until it has been dismissed ( <i>swipe</i> downwards), or until the Status center has been opened.

1. Turn the diverter to a position between the hand shower and shower head so that water pours out of both during the descaling. Place the Descaling tablet on the floor, directly in the stream of water, so it dissolves.

**If you have a third-party diverter** that can not be set to run water through the shower heads simultaneously, run a separate descaling for each shower head individually.



2. Open the *Status center* (see [Status center \[8\]](#) for details), and navigate *Settings* → *Maintenance* → *Descal* to start the program.

# Clean the drain

Needed tools: Cleaning agents

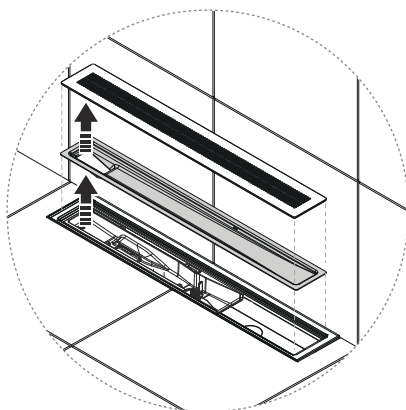


## CAUTION

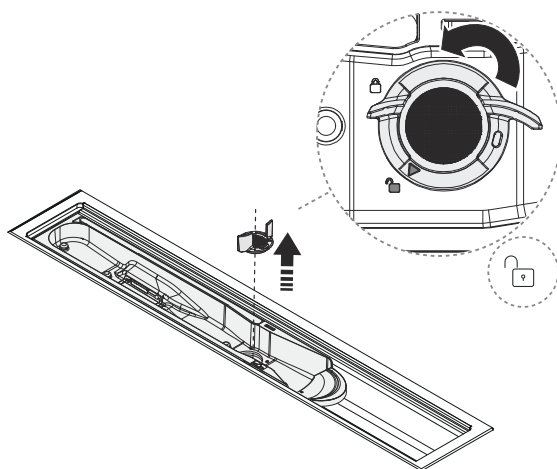
Do not use any corrosive detergents or abrasive pads/cloths as it might damage the Sensor Tank.

	<p>Clean the drain notification shown in the Control Dial. The notification will stay on the screen until it has been dismissed (<i>swipe</i> downwards), or until the Status center has been opened.</p>
--	---

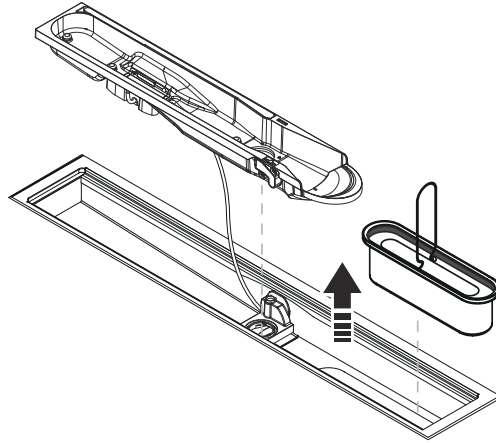
1.



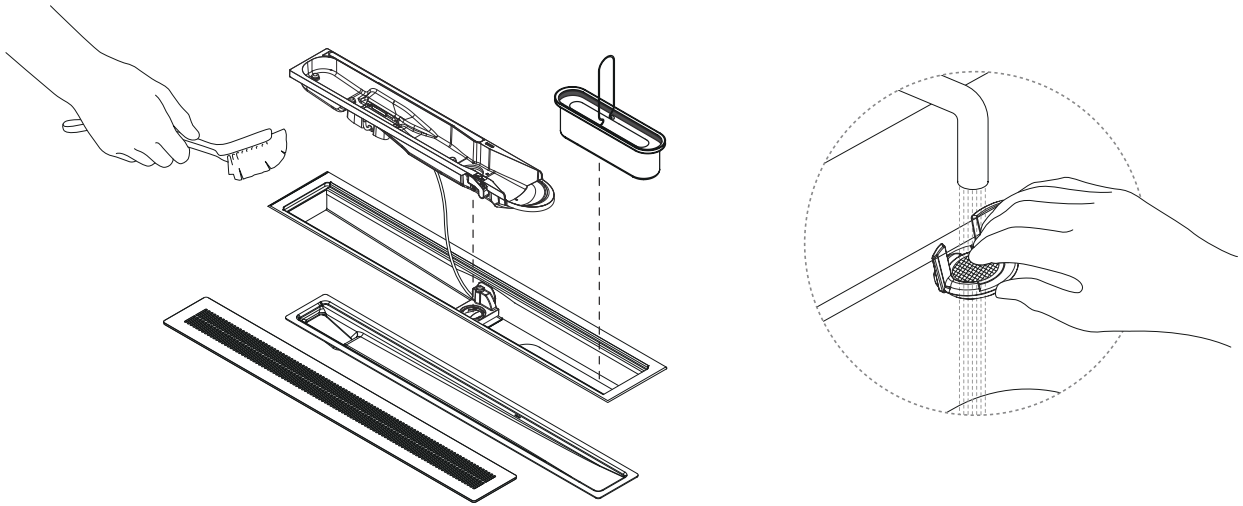
2.



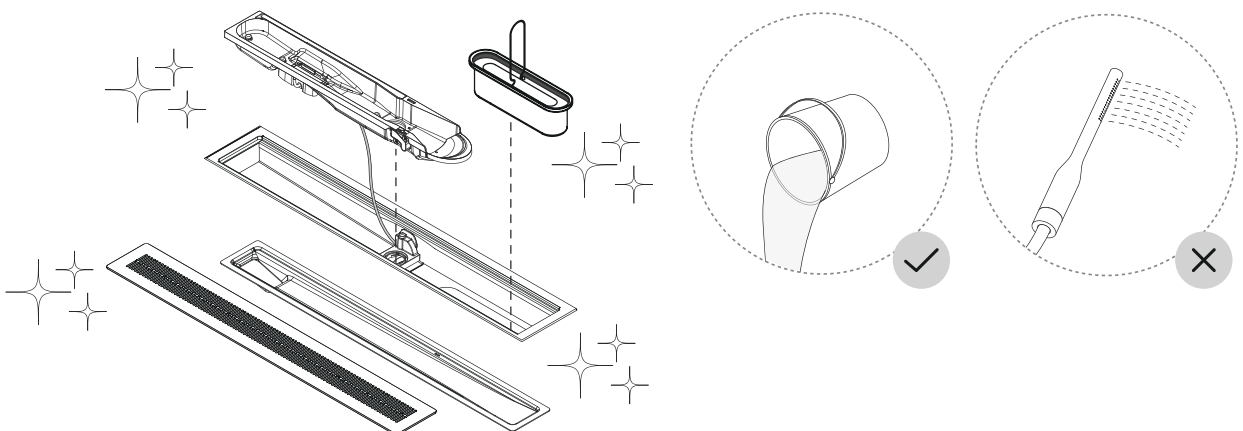
3. Lift the Sensor Tank straight up. Tilting or angling it may damage the connector on the back.




4. Use non-abrasive cleaning agents only. Make sure to clean all surfaces of each component, including the drain unit.



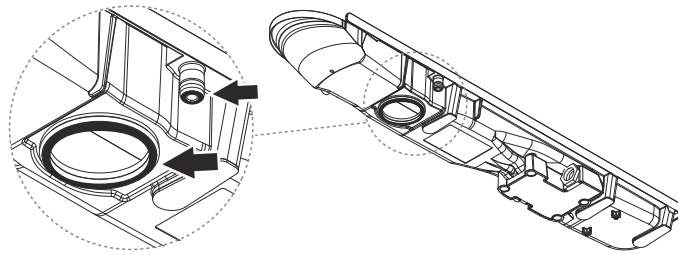
5. Rinse thoroughly with water. Use water from an other source than the shower.



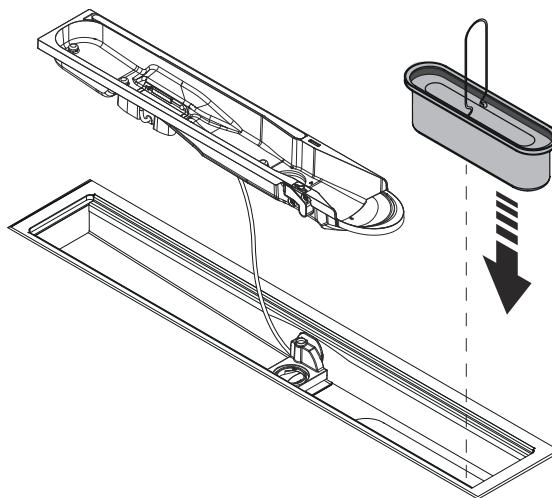
6. 

**NOTICE**

Make sure the O-ring is correctly mounted before reassembly of the Sensor Tank.



7. Insert the Sensor Tank straight down. Tilting or angling it may damage the connector on the back.

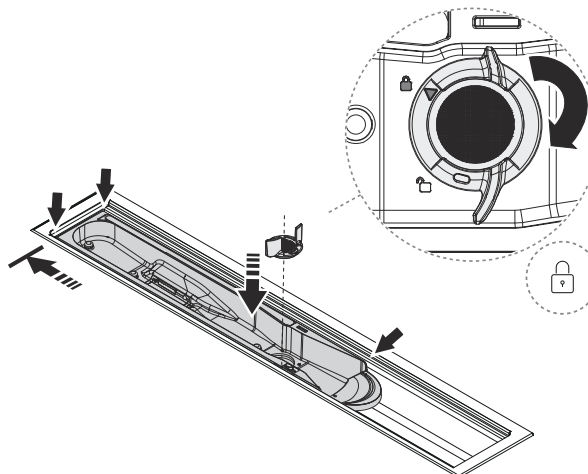



8. Insert Sensor Tank. Lock the Sensor Tank in position with the Sensor Tank lock by turning it 90 degrees.



**CAUTION**

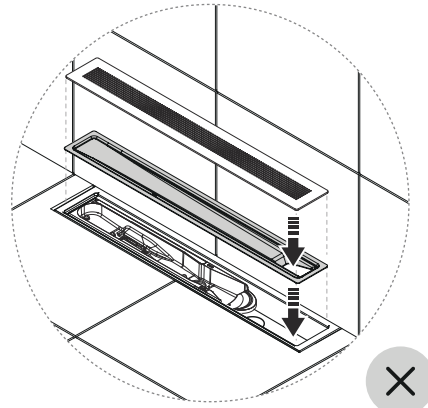
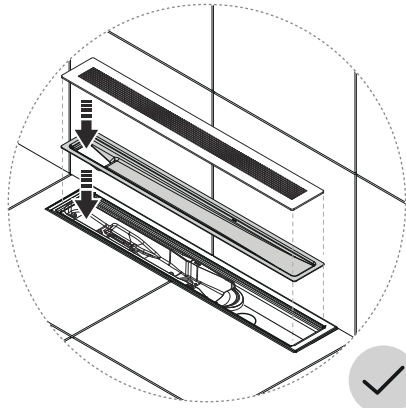
Make sure the Sensor Tank is inserted correctly. Its edge should be fully pushed towards the drain unit's edge.



9. 

**NOTICE**

Place the Funnel with the hole oriented to the left! Placing the hole oriented to the right will disable recirculation.



## Low UV level



Low UV level notification shown in the My Water app.

Start by descaling the shower to remove any limescale deposits from the UV. See [Descal](#) [18] for details. If the system still reports a low UV level after descaling, contact Orbital Support.

# Detergent cleaning

**Needed consumable: Orbital Shower detergent**

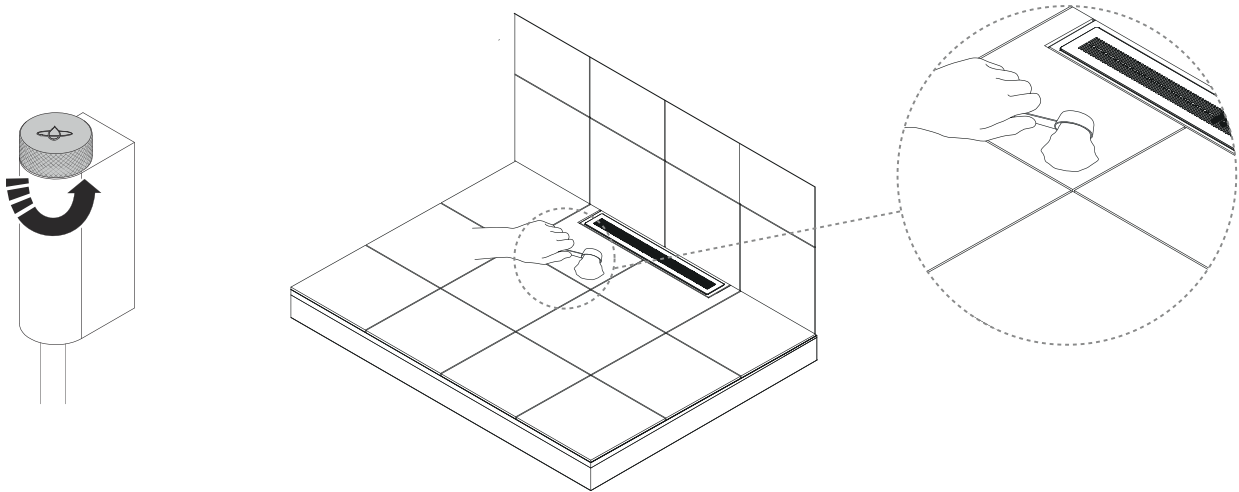
Detergent cleaning is a program that thoroughly cleans the inside of the Shower Core using the Orbital Shower detergent. It is a part of the preparation for Hibernation mode, but can also be started manually to clean the system as a complement to the automated cleaning procedures.



## CAUTION

Please exit the shower area while the Detergent cleaning is active. Once the cleaning has started, water will start to pour out of the shower heads.

1. Turn the diverter to a position between the hand shower and shower head so that water pours out of both during the cleaning program. Place the detergent on the floor, directly in the stream of water, so it dissolves.



2. Open the *Status center* (see [Status center \[8\]](#) for details), and navigate *Settings* → *Maintenance* → *Detergent cleaning* to start the program.

# Hibernation mode



## CAUTION

- **Ensure all preparation steps are completed correctly before activating Hibernation mode.**
- The shower **must not** remain in Hibernation mode longer than **9 months** at a time.
- The shower must remain connected to power while Hibernation mode is active.
- The shower shall never be exposed to freezing temperatures since it will result in imminent risk of damage and leakage.

Hibernation mode is intended for showers that will not be used for a longer period of time, for example in between stays in a summer house or during off-season at a hotel.

When Hibernation mode is active, the shower will **not**:

- Be available for use.
- Run Deep cleaning.
- Prepare for Instant start.

## Preparation steps for Hibernation mode:

---

1. Clean the drain (see [Clean the drain \[19\]](#) for instructions).

---

2. Change the Filter (see [Change the Filter Capsule \[15\]](#) for instructions). It is **essential** that a new Filter Capsule is installed before Hibernation mode is activated.

---

3. Place Orbital Detergent powder on the shower floor (see [Detergent cleaning \[24\]](#) for instructions) and activate Hibernation mode through the status center in the Control Dial (see [Status center \[8\]](#) for instructions). When Hibernation mode is started, the shower first runs the Detergent Cleaning program. Once the cleaning is complete, the shower automatically enters Hibernation mode. It is **essential** to use Orbital Shower Detergent during this cleaning. To order detergent, please contact Orbital Support.

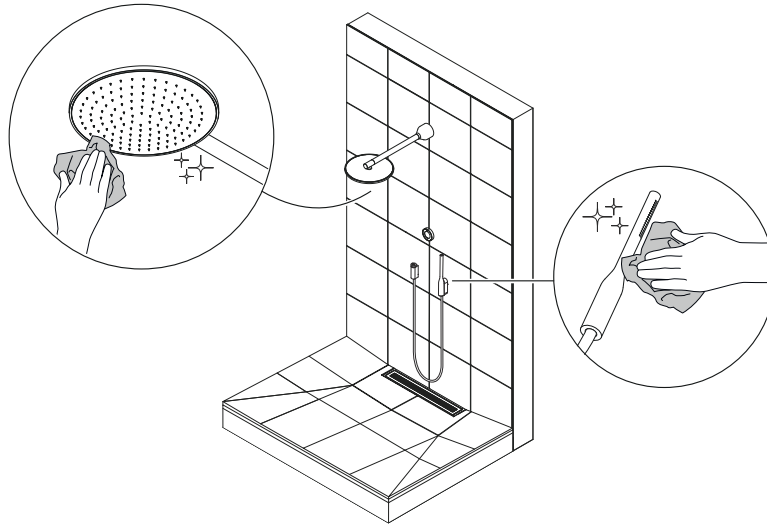
Hibernation mode can be turned off in the Control Dial or via the My Water app. When Hibernation mode is turned off, the shower automatically runs a Deep Cleaning program first. Once the Deep Cleaning is complete, the shower returns to normal functionality — including scheduled Deep Cleaning and preparation for Instant Start.

## Clean shower heads, Control Dial and external surfaces

Use a soft cloth with mild cleaning detergent to clean the shower heads and external surfaces of your Orbital Shower, such as the Control Dial and Drain cover. Rinse thoroughly with water after cleaning. Avoid using corrosive detergent or abrasive cloths to ensure the surface layers will not be damaged.

When cleaning the overhead shower, be careful not to press the spray nozzles too hard to prevent them from getting pushed in.

*Tip:* use Screen cleaning mode to avoid accidentally activating the touchscreen when cleaning the Control Dial. See [Status center \[8\]](#) for details.



## Prerequisites and Approvals

Orbital Shower is designed and type approved according to the Swedish requirements in Swedish National Board of Housing and Building & Planning regulations (BBR). The system is type approved according to RiSE C900373 & C900374, Kiwa 1513; 0753 and Kiwa safety certificate K100686/02, connection safe W 540 DVGW CERT AS-0605DO0262 and meets ETA Denmark's requirements via technical approval for use according to TGA.2023/005.

Orbital Shower is CE-marked based on certificate and test reports from third party labs.



If industry regulations and instructions in this manual are followed, Orbital Systems guarantees a functional shower system.

# EU Declaration of Conformity

We       Orbital Systems AB,  
          Östergatan 32  
          211 22 Malmö  
          Sweden

Hereby declare that this DoC is issued under our sole responsibility and belongs to the following product:  
OS8733-E

This declaration is in conformity with the relevant union harmonized legislations:

RED 2014/53/EU                               RoHS 2015/863                               LVD 2014/35/EU

The following harmonized standards and technical specifications have been applied:

EN 300 328 V2.2.2	EN IEC 61000-6-1:2019	ETSI EN 301 489-1 V2.2.3
EN 60335-1:2012;A11;A13;A1;A14;A2;A15	EN IEC 61000-6-2:2019	ETSI EN 301 489-17 V3.2.4
EN 60335-2-35:2016;A1;A2	EN IEC 61000-6-3:2021	
EN 62233:2008	EN IEC 61000-6-4:2019	

Additional standard that has been applied to product where applicable:

EN 1717	EN 1112	BBR
EN13076	EN 1113	Danish VA Godkendelse
BRL-K14011/01	EN 1253-1	Danish TGA
DVGW W 540	KTW / W270	Säker Vatten
EN 1111	4 MS Material Safety	

The product has undergone mandatory or voluntary certification procedures in order to receive the following certificates:

RiSE C900373	KIWA 0753	TGA Nr. TGA.2023/005
RiSE C900374		

**Signed for and on behalf of Orbital Systems AB**



Place	Date	Name	Position
Malmö	2024-05-31	Mehrdad Mahdjoubi	CEO

5-01-0005\_C

The manufacture of this product has been made in accordance with the Type-approved decision on production control and the documents submitted to the decision of issue of this certificate.

# ORBITAL



CERTIFIED SPACE TECHNOLOGY