

Technology Installation

Orbital Shower Hatch R3 (OS8733-E)

5-06-0044

Publication date 2026-05-11

Copyright © 2026, Orbital Systems


All rights reserved. No part of this document may be reproduced or copied in any form or by any means without written permission from Orbital Systems. The English language version of this document contains the original instructions. All other language versions are translations of the original instructions.

Table of Contents

Thank you for your purchase	4
Prerequisites and Approvals	4
Warranty	5
Service	5
System Overview	6
Installation Overview	7
Installation System Requirements	7
Seal mountings in wet zone	8
Install Orbital Shower Core	9
Open the Wall Box door	11
Install the sensor cable, flush hose and recirculation hose	13
Install Sensor Tank dock	15
Install Sensor Tank and Sensor Tank lock	17
Install Funnel	19
Install Core	20
Add the Filter Capsule	29
Install Control Dial	31
Next Step	35
Installing the black or white overhead shower	36
Installing the metallic overhead shower	39
Installing the hand shower	44
Installing the diverter and hand shower	44
Installing the black or white hand shower holder	49
Installing the metallic hand shower holder	51
Verify the shower	54

Thank you for your purchase

This manual applies to model OS8733-E

 Read the Safety Guide before starting the installation or before operating the shower.

Thank you for purchasing the Orbital Shower from Orbital Systems. To enjoy the full potential of the shower please read and follow the procedures in this manual. Make sure that you fully understand how to operate this shower and make sure that it is properly maintained in accordance with the instructions given in this manual. Do not discard this manual, keep it handy for future reference. This manual is valid for all shower models. When applicable, the manual will only display the Orbital Systems overhead shower & hand shower variant.

Prerequisites and Approvals

Orbital Shower is designed and type approved according to the Swedish requirements in Swedish National Board of Housing and Building & Planning regulations (BBR).

The system is type approved according to RiSE C900373 & C900374, Kiwa 1513; 0753 and Kiwa safety certificate K100686/02. Connection safe W 540 DVGW CERT AS-0605DO0262.

Orbital Shower is CE-marked based on certificate and test reports from third party labs.



If industry regulations and instructions in this manual are followed, Orbital Systems guarantees a functional shower system.

Warranty

For Warranty and Liability for Defects information, please visit Orbital Systems web <https://orbital-systems.com>.



Service

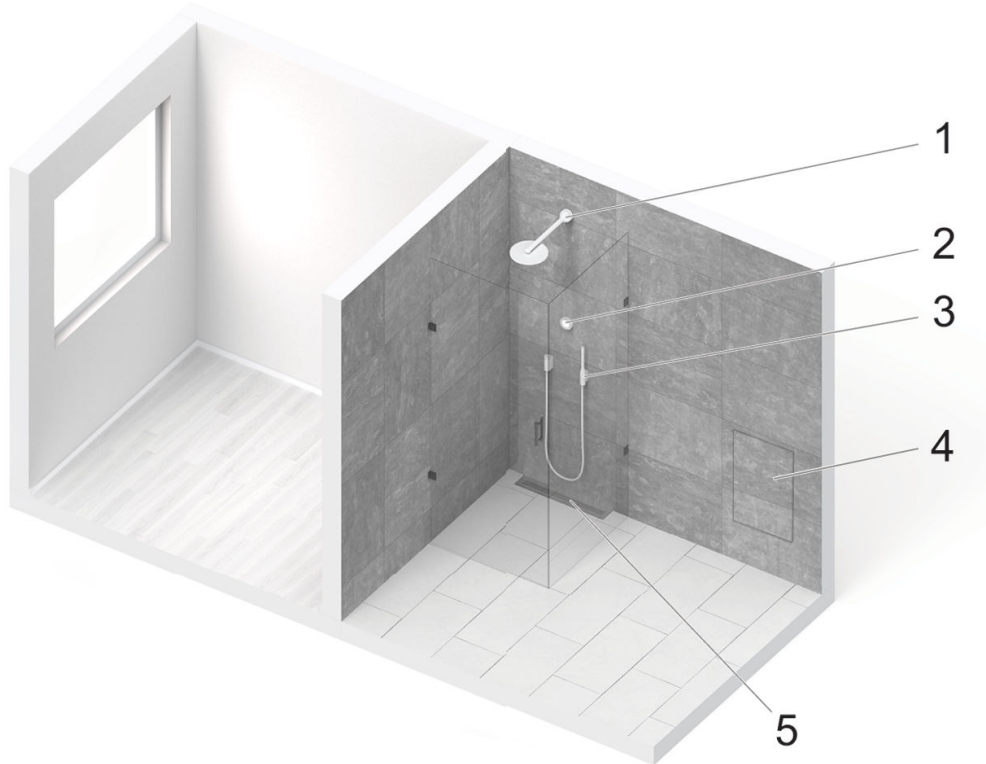
Orbital Systems and our team of expert staff are available to assist you if you require product advice, experience any problems, need to purchase spare parts or to set up a service appointment.

Contact us

- support@orbital-systems.com
- www.orbital-systems.com

System Overview

Orbital Shower Hatch R3 (OS8733-E)



1. Overhead shower
2. Control Dial
3. Hand shower kit (hand shower, diverter and holder)
4. Orbital Shower Core (RSK 835 91 20) and Wall Box (RSK 829 64 37), located inside or outside of the shower area
5. Drain unit (RSK 711 54 63) and outlet unit (RSK 711 99 33)

Preparation and installation of the shower area (including piping, connections, water proofing and tiling), installation of Wall Box (4) and drain (5) are included in the Fixture installation manual.

Installation of the Orbital Shower Core (4), Control Dial (2), overhead shower(1) and hand shower kit (3) are included in the Technology installation manual. Operation of the shower is included in the User Guide.

Installation Overview

Installation System Requirements

Connectivity

Internet connection: Password protected Wi-Fi 2,4 GHz / 5 GHz or Ethernet.

Electrical Supply

Residual circuit breaker: One breaker per Orbital Shower Core

Power supply: One Phase, 230VAC / 50-60 Hz / 16A *

Mains supply wire: Min. 2.5 mm² (rated for 16A circuit)

Plumbing / Water

Incoming tap water supply connections: Separate hot and cold, 2x female G 1/2" swivel nut.

Incoming cold water temp. (min-max): 4-25°C

Incoming hot water temp. (min-max): 50-65°C

Maximum working pressure tap water: PN10

Incoming water pressure (min-max): 2-10 bar

The supply pressure is the fundamental requirement for the shower flow:

- 2 bar: 7.5 litres/min
- 3 bar: 9.5 litres/min
- 4 bar: 11 litres/min

Recommended water supply flow: 9 litres/minute per inlet hot and cold

Water hardness (min-max): 3°dH-14°dH, or a total hardness of 53-250 mg CaCO₃/litres

Water iron content: <0,3mg/litre

** Using a lower fuse results in lower water flow:*

10A = 6 litres/min

13A = 8 litres/min

16A = 12 litres/min

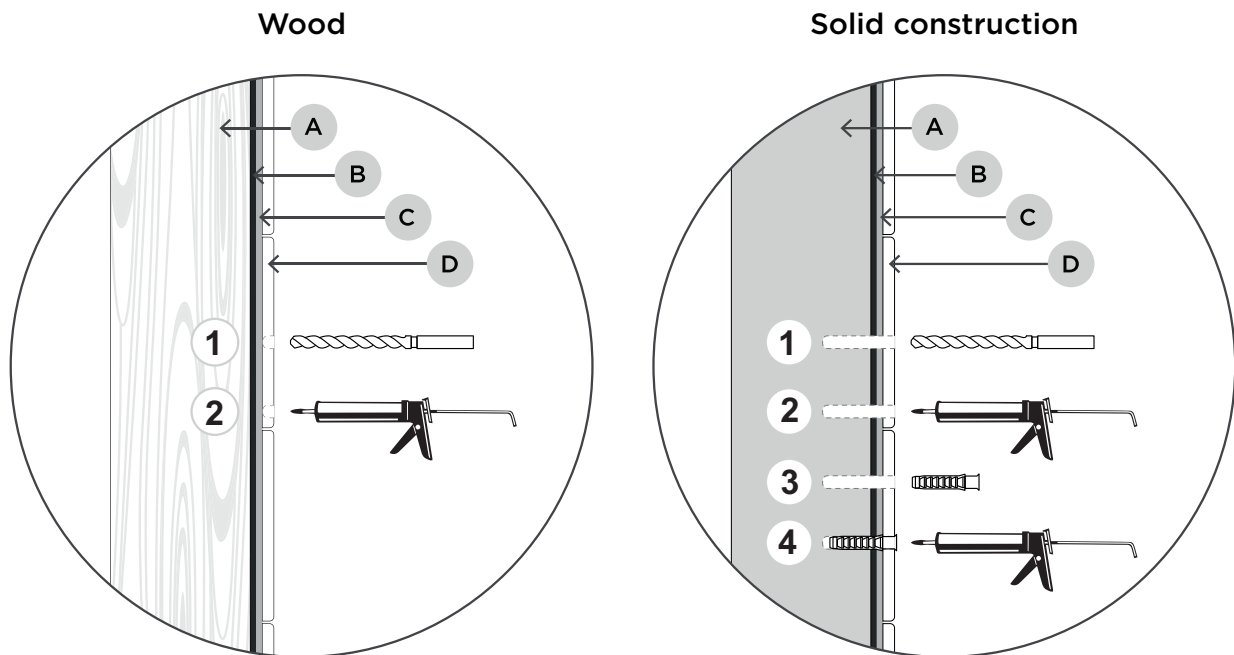
Seal mountings in wet zone

Seal the drill holes in accordance with applicable industry standards.



CAUTION

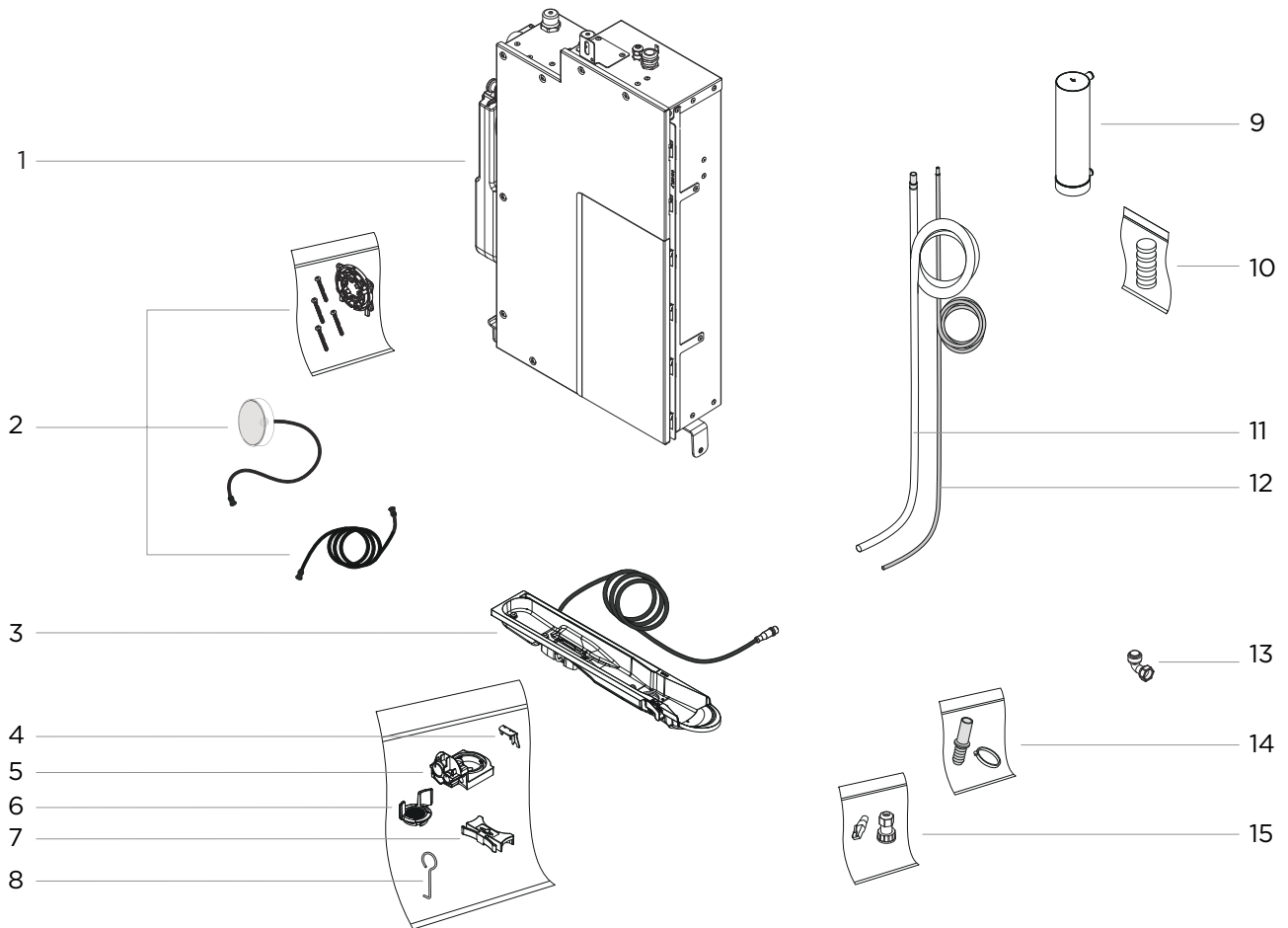
Installations in Sweden must be carried out in accordance with the current Industry Rules Safe Water Installation. All mountings in the wet zone must be sealed against the waterproofing layer of the wall or floor. Material for sealing must adhere to the substrate and be water-resistant, mold-resistant and aging-resistant.



- **A:** Wood / Concrete
- **B:** Waterproofing membrane
- **C:** Tile adhesive
- **D:** Tile

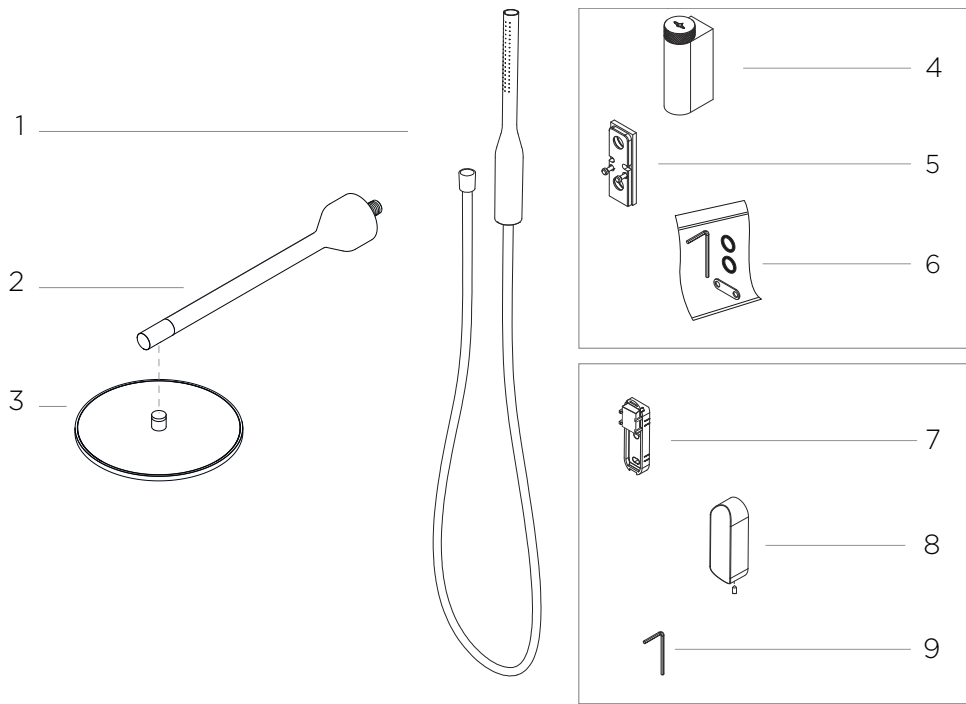
Install Orbital Shower Core

Component Overview, Technology kit - Core components



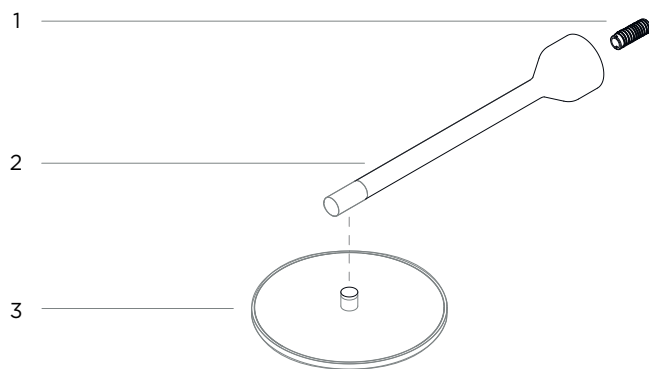
1. Orbital Shower Core
2. Control Dial, including fixture, screws and extension cable
3. Sensor Tank
4. Clip
5. Sensor Tank dock
6. Sensor Tank lock
7. Spring lock
8. Hook
9. Filter capsule
10. Descaling tablets
11. Recirculation hose
12. Flush hose
13. PEX elbow fitting
14. Recirculation hose kit
15. Ethernet kit

Component Overview, Technology kit - Black or white shower heads & diverter



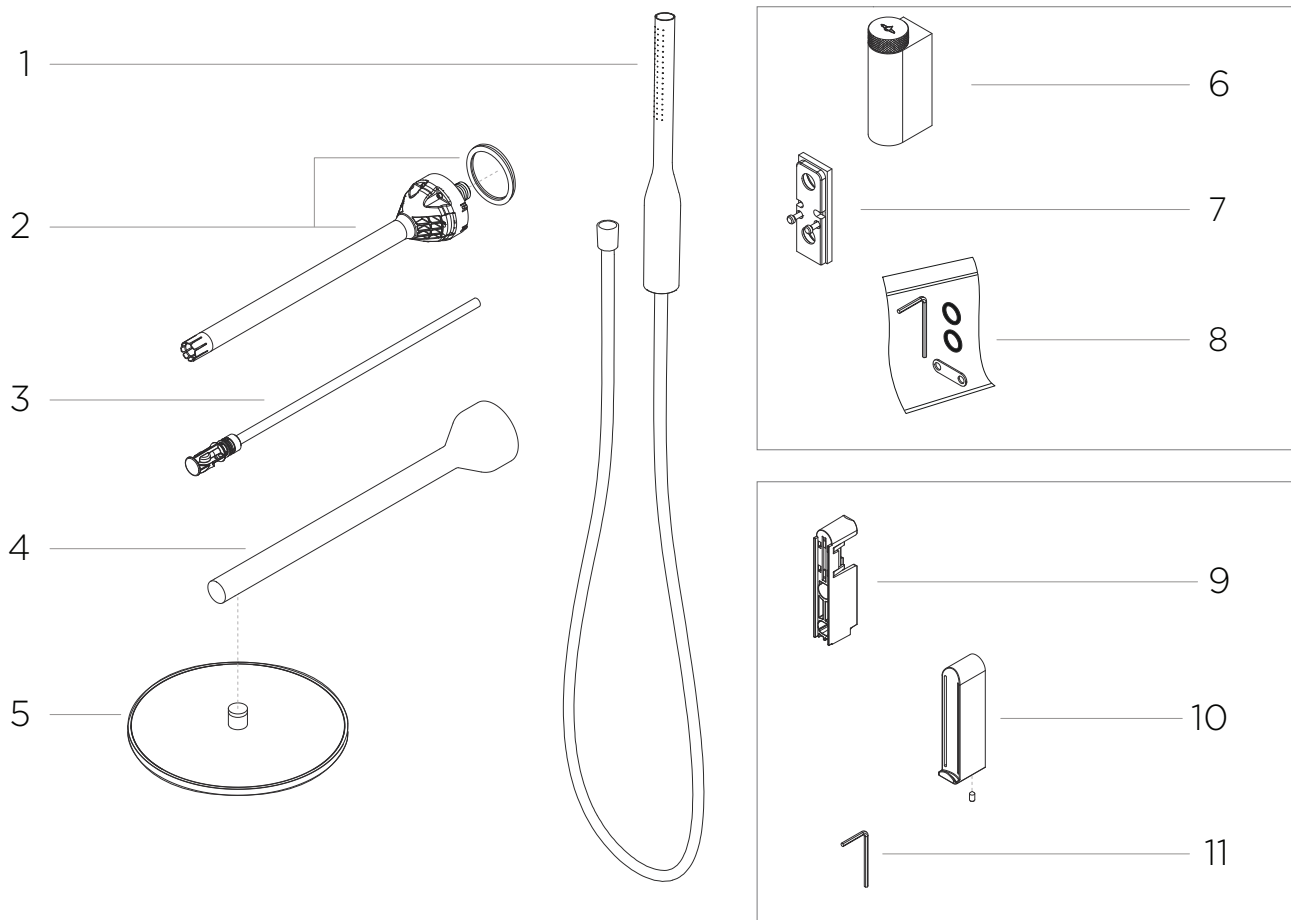
1. Hand shower and hose
2. Overhead shower arm and threaded adapter
3. Overhead shower
4. Diverter body
5. Diverter wall plate
6. Diverter accessories
7. Hand shower holder
8. Hand shower holder cover
9. Hex tool 2mm

Component Overview, Technology kit - Black or white overhead shower



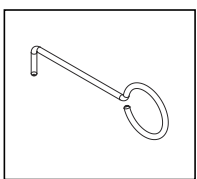
1. Threaded adapter
2. Overhead shower arm
3. Overhead shower

Component Overview - Metallic shower heads & diverter

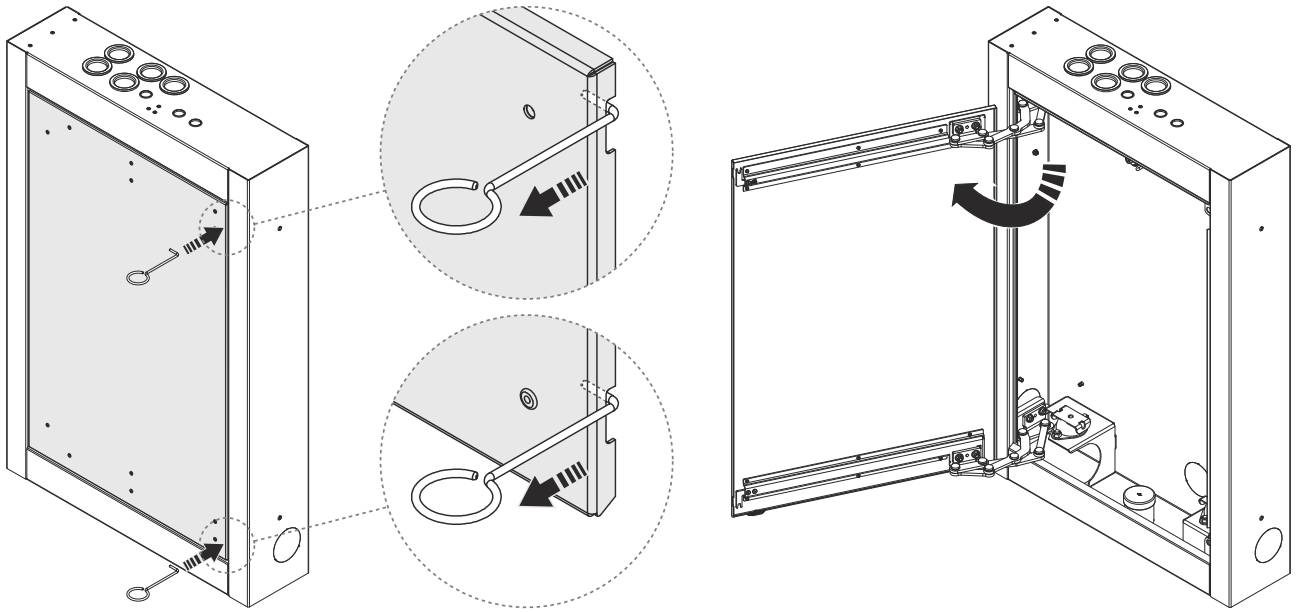


1. Hand shower and hose
2. Overhead shower arm, threaded adapter and support ring
3. Overhead shower internal PEX pipe
4. Metal cover
5. Overhead shower
6. Diverter body
7. Diverter wall plate
8. Diverter accessories
9. Hand shower holder
10. Hand shower holder cover
11. Hex tool 2mm

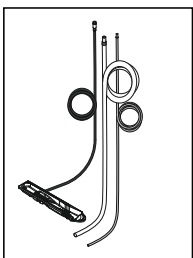
Open the Wall Box door



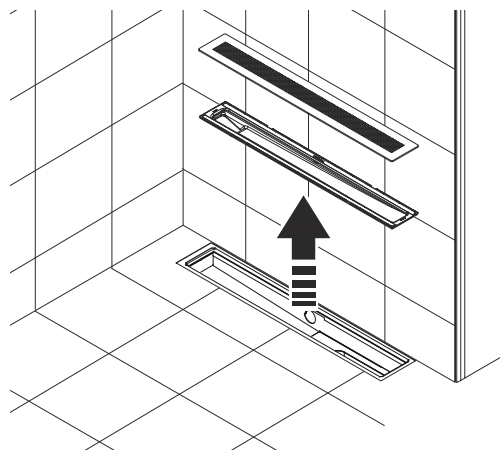
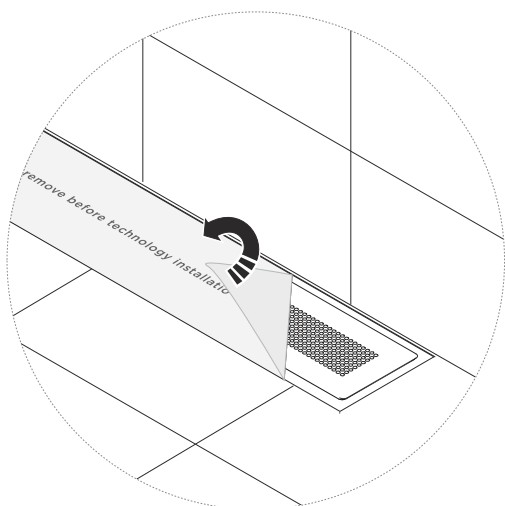
To open the door, insert the hook in the slots on the right side of the door and pull straight out.



Install the sensor cable, flush hose and recirculation hose



1. Remove the protective film and lift up the Grating and Funnel. Set them aside.

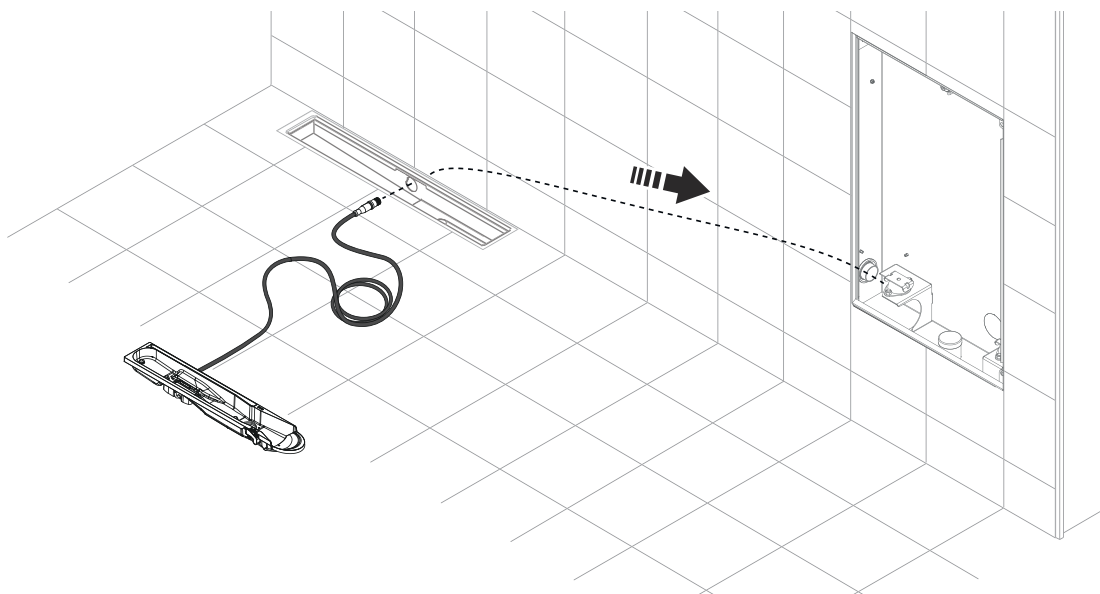


2. Route the sensor cable through the drain pipe. Keep the connector protection cover on.

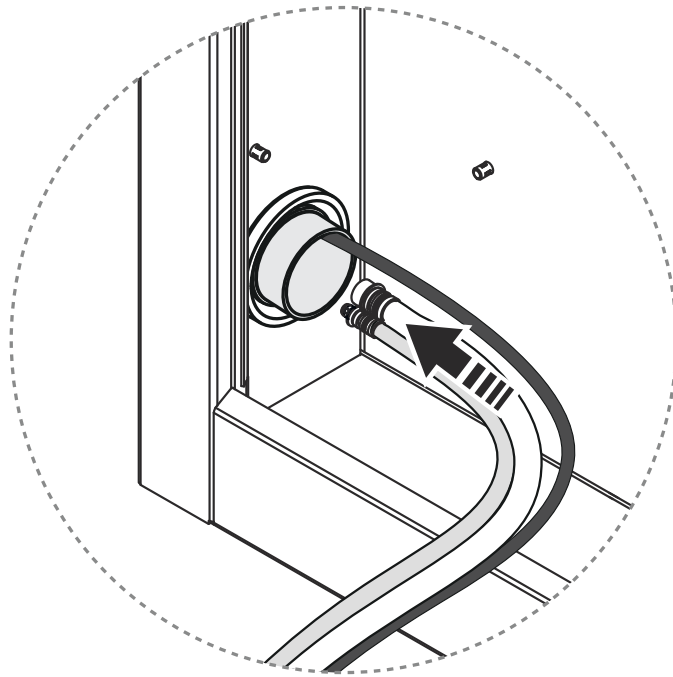


NOTICE

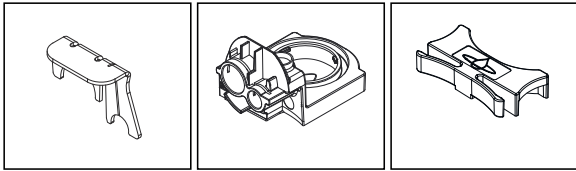
It is recommended to use fish tape to route the cables through the pipes.



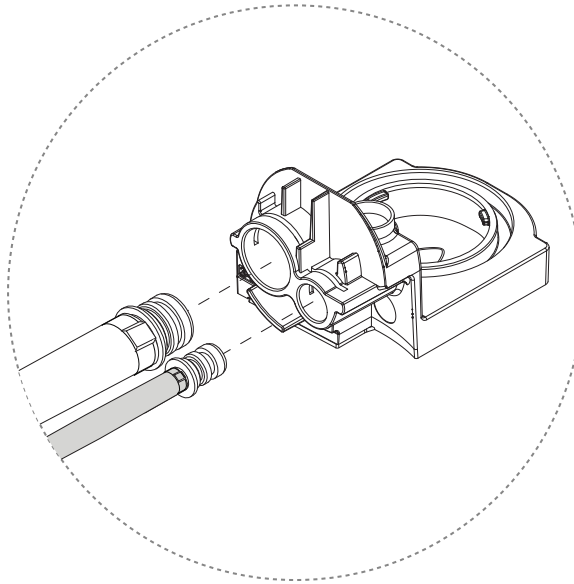
-
3. Route the flush hose and recirculation hose through the drain pipe, inserting them with the couplings first.



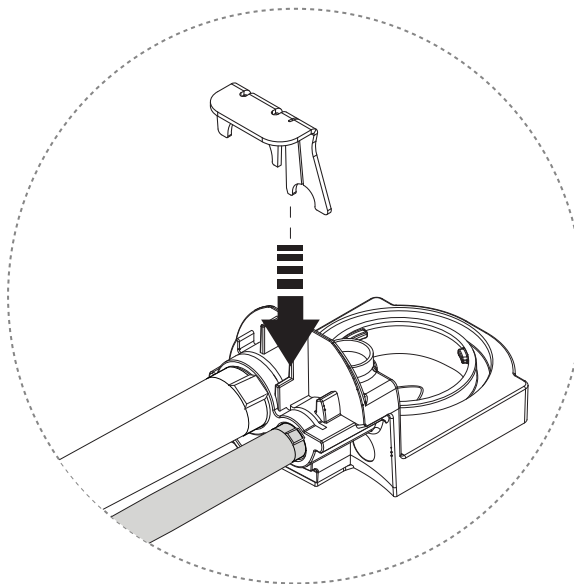
Install Sensor Tank dock



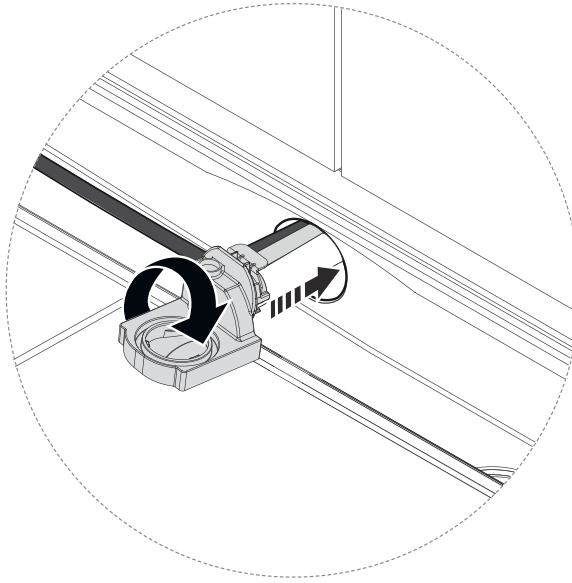
1. Apply lubricant to the o-rings and connect the hoses to the Sensor Tank dock.



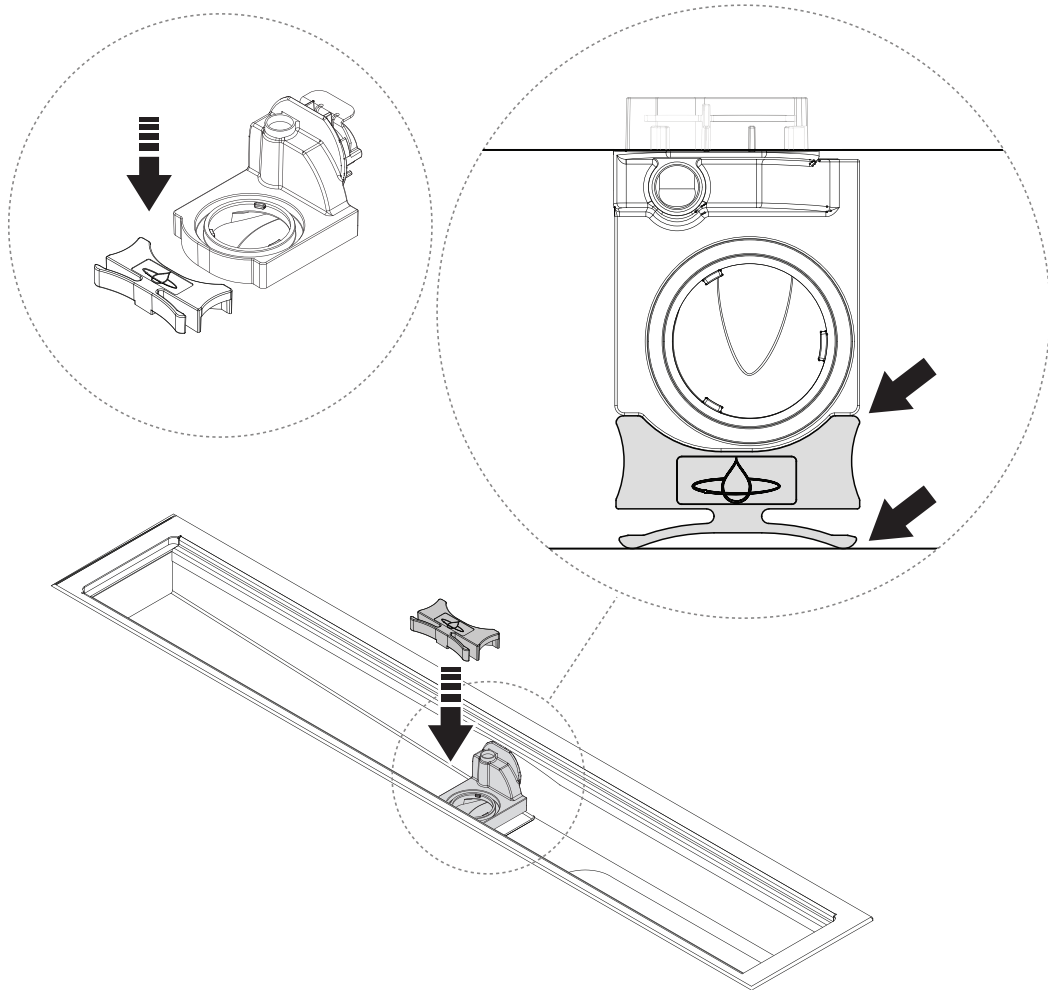
2. Lock the hoses by inserting the clip.



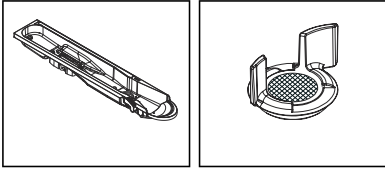
-
3. Insert the Sensor Tank dock into the connection pipe. Rotate it in place, and push it all the way in.



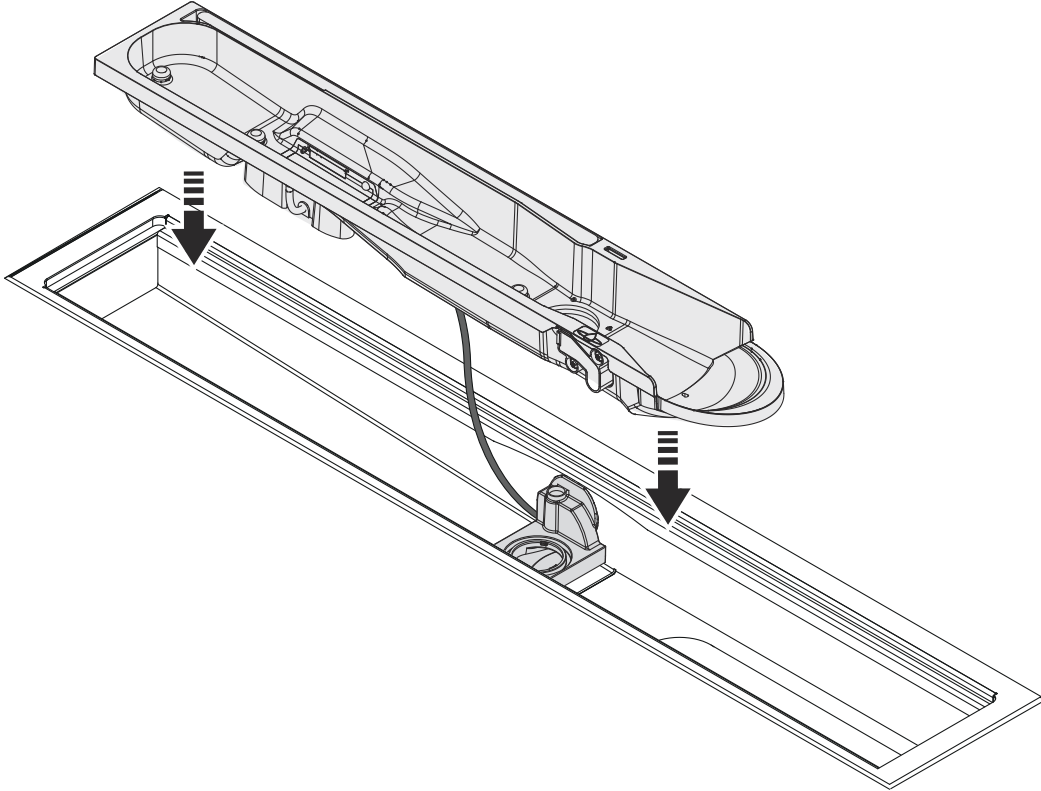
-
4. Lock the Sensor Tank dock in place with the spring lock.



Install Sensor Tank and Sensor Tank lock



1. Insert the Sensor Tank into the drain unit

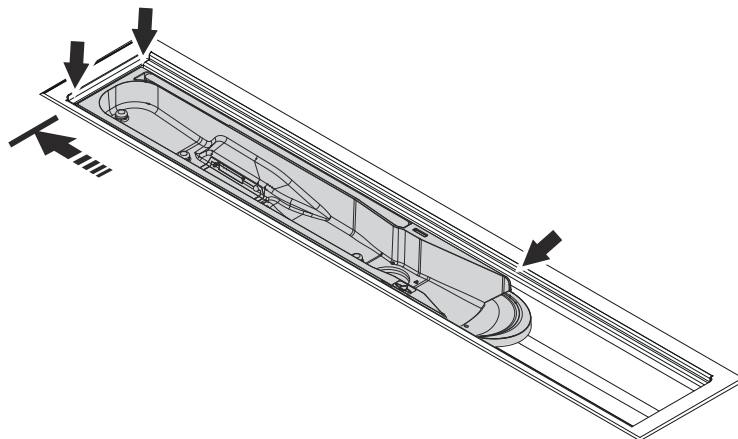


2. Make sure the Sensor tank is aligned correctly.

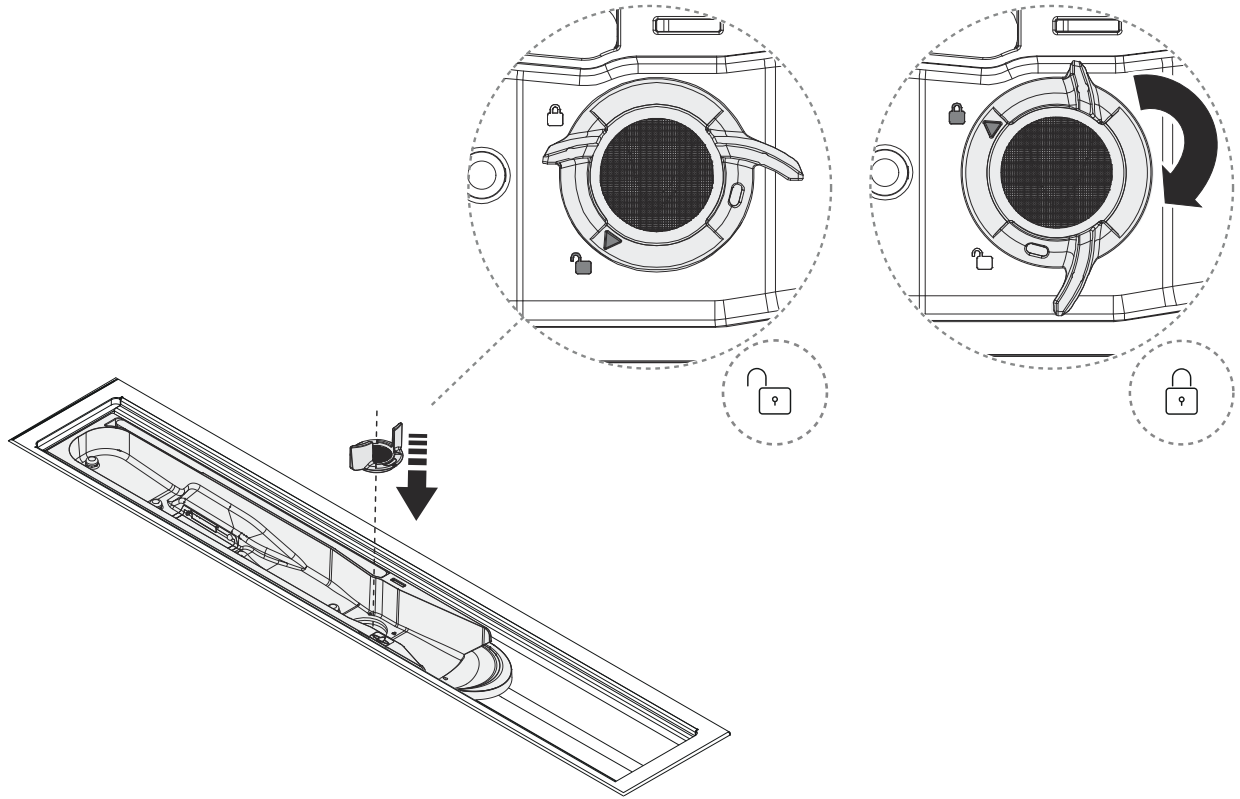


CAUTION

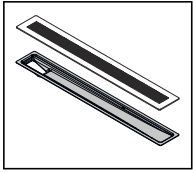
The Sensor Tank should be fully pushed down and sit level.



3. Lock the Sensor Tank in position with the Sensor Tank lock by turning it 90 degrees.

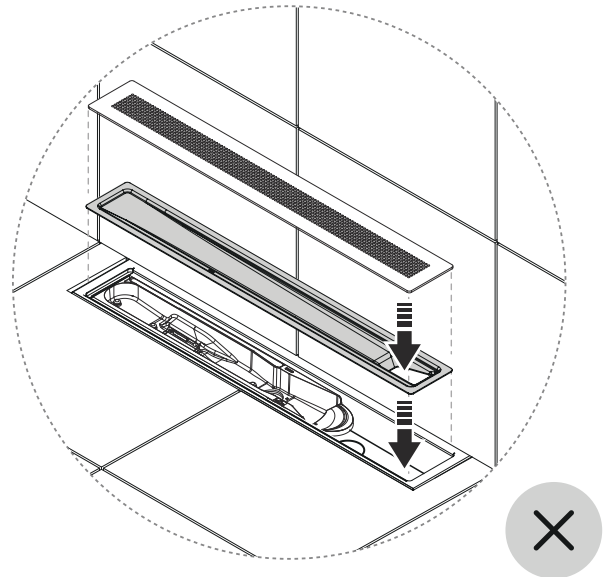
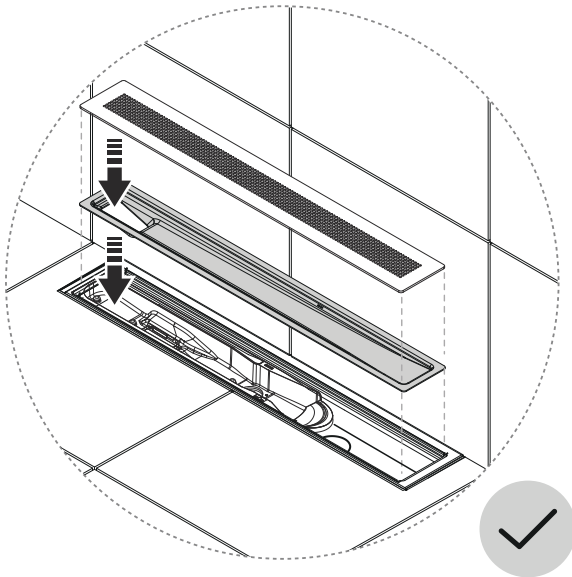


Install Funnel

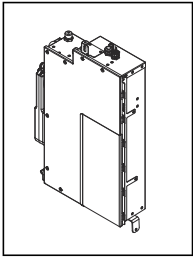


NOTICE

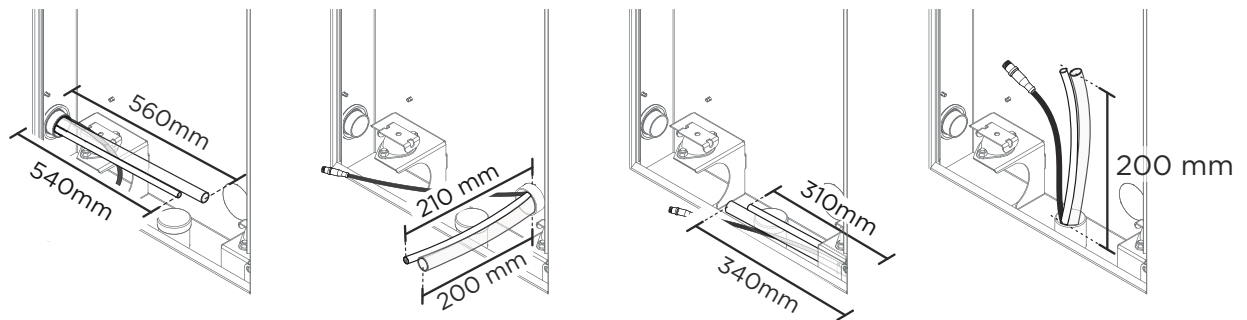
Place the Funnel with the hole oriented to the left! Placing the hole oriented to the right will disable recirculation.



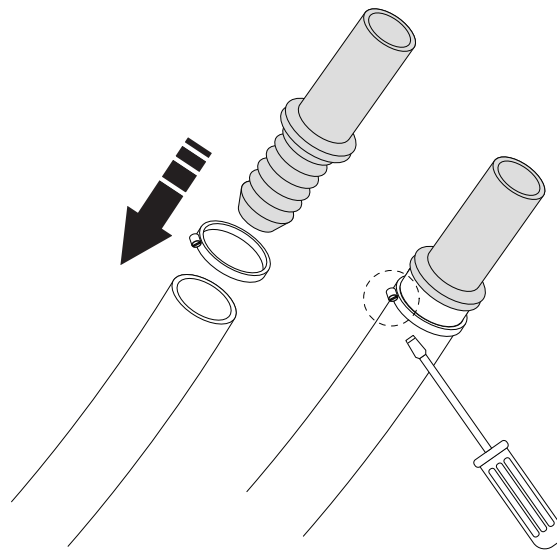
Install Core



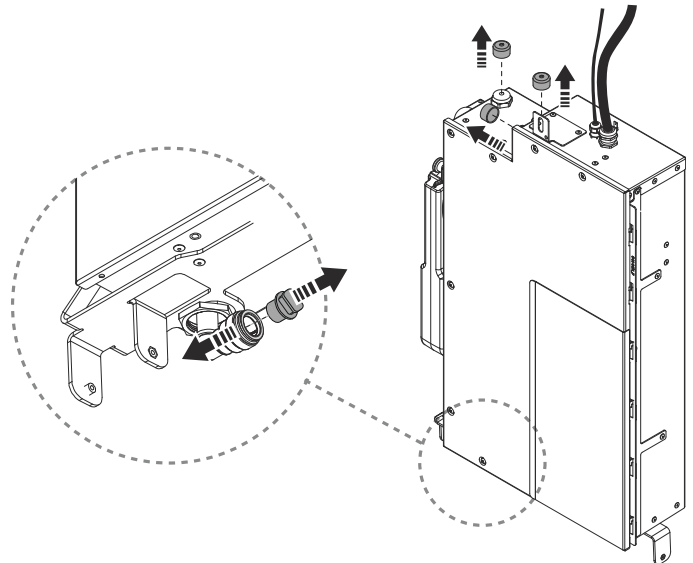
1. Cut the recirculation hose and flush hose according to the measurements in the illustration.



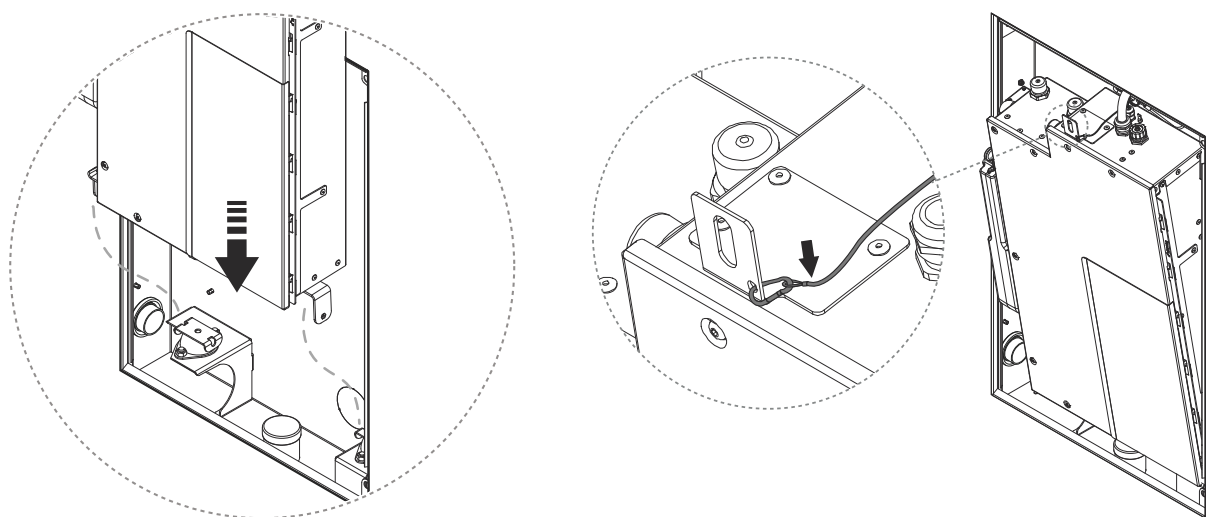
2. Apply fitting grease to the separate hose coupling, push all the way into the recirculation hose and tighten with the hose clamp.



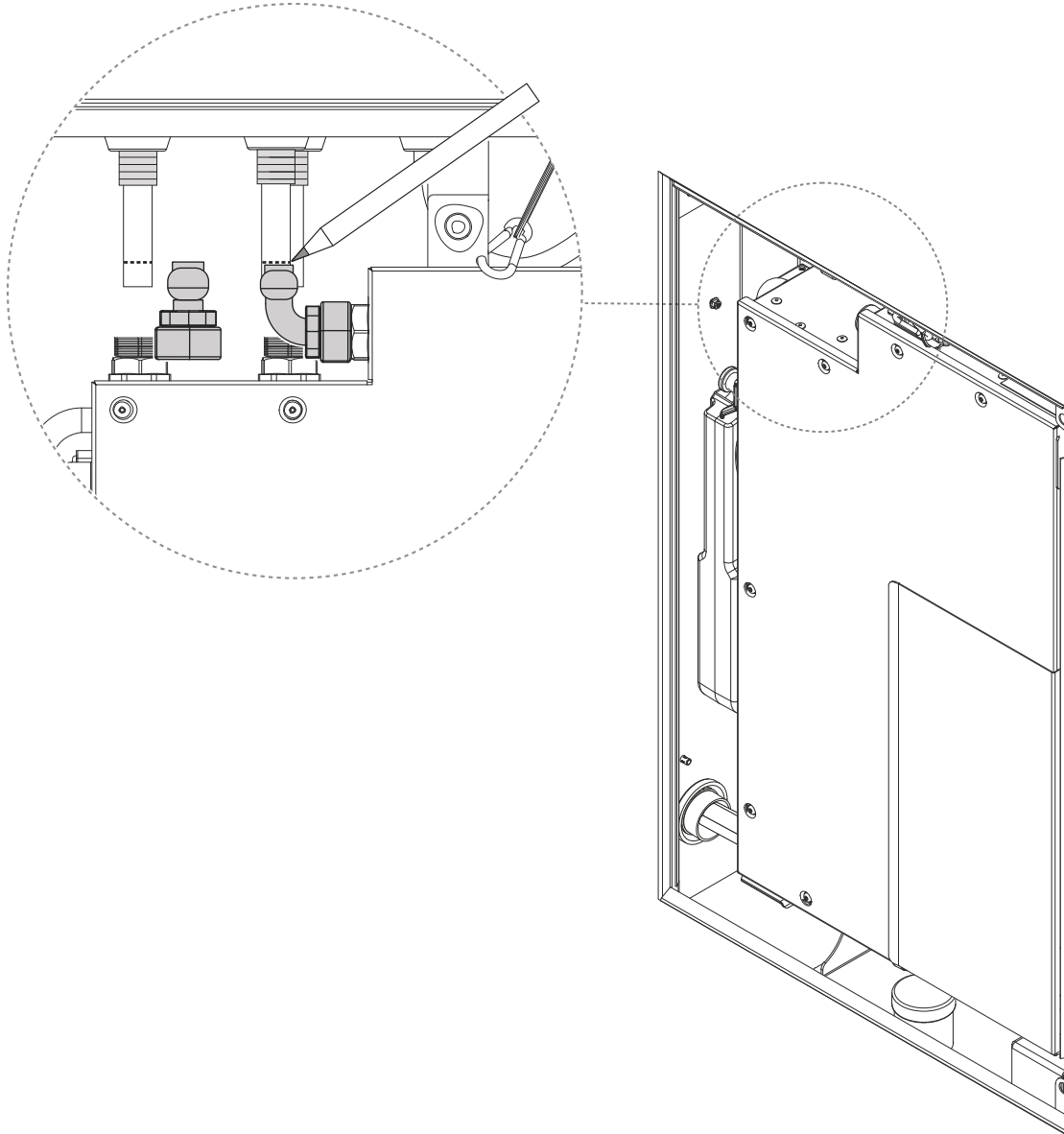
3. Remove the four transport plugs.



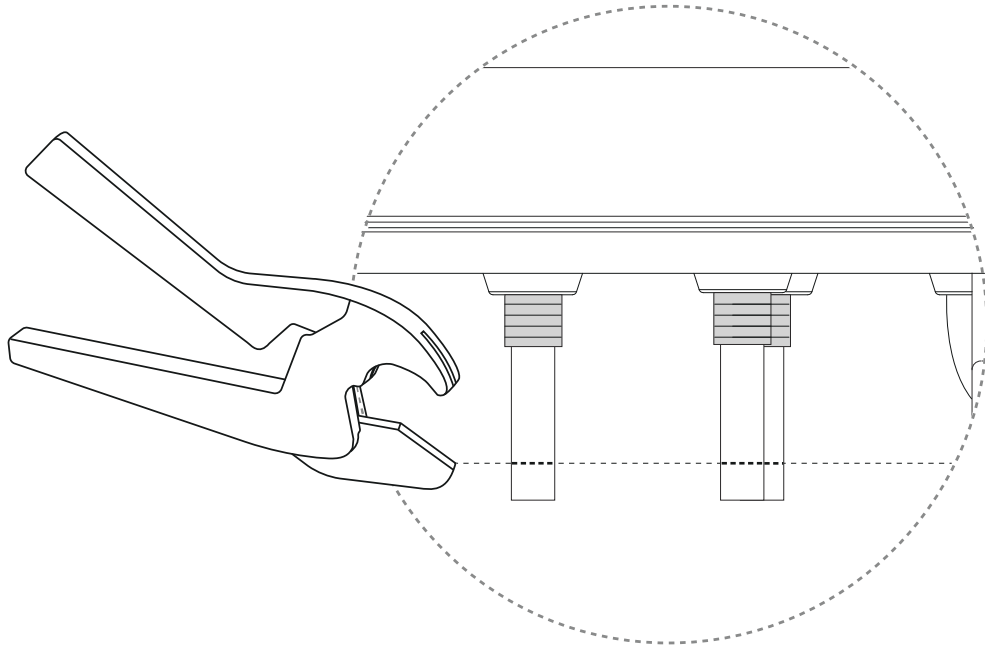
4. Insert the Core into the Wall Box and attach the safety wire.



5. Measure and mark the pipes for cutting.



6. Cut the PEX pipes. Lift the Core out of the Wall Box for better access.

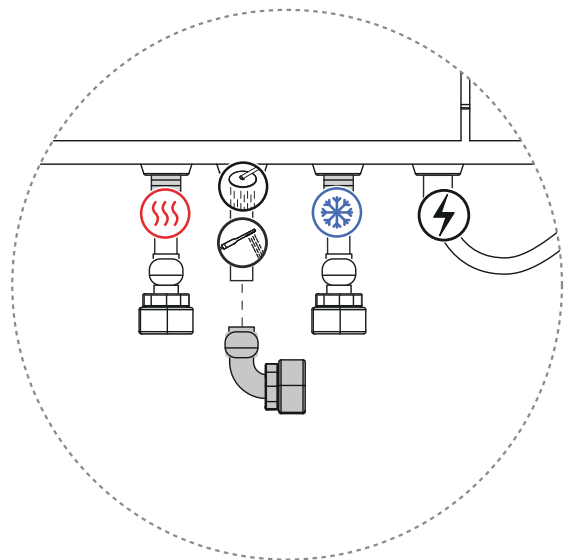
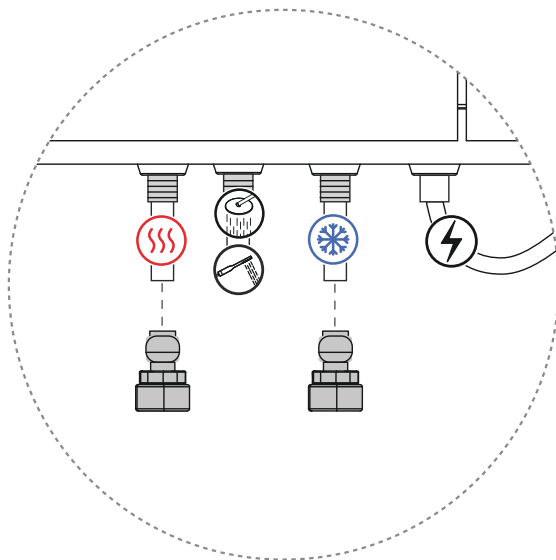


7. Install the connectors.

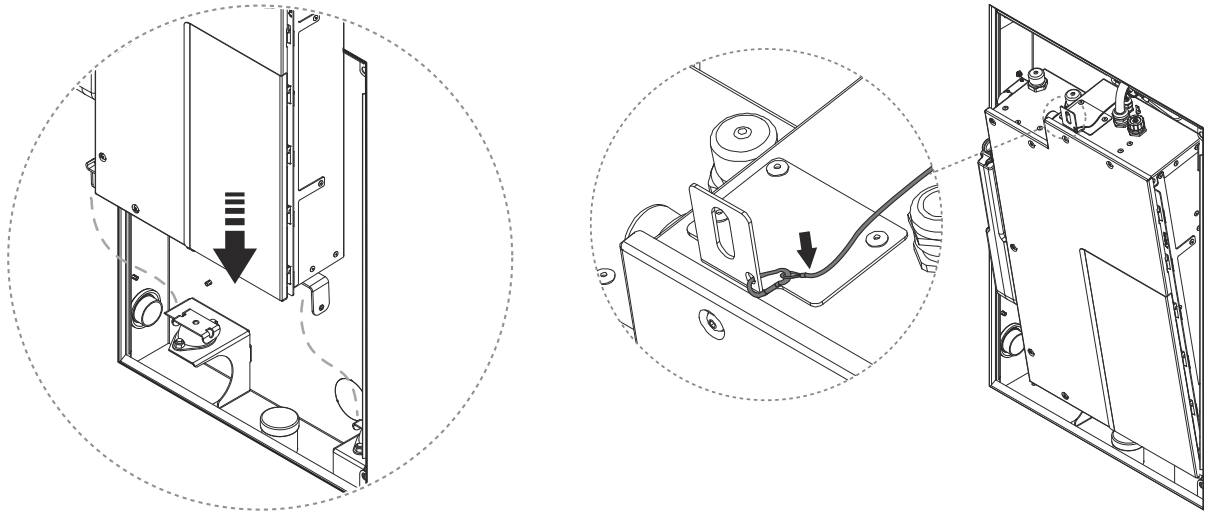


CAUTION

- Use couplings with a loose nut.
- Install hose connections in accordance with applicable industry standards.
- Make sure to flush out the water lines from debris before connecting the Core.



-
8. Insert the Core into the Wall Box again and attach the safety wire. Keep it tilted to enable electrical installation.

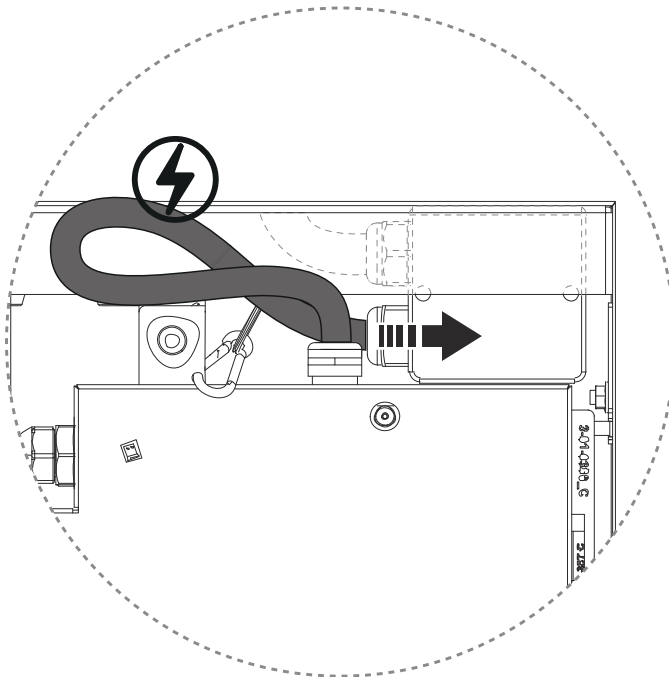


-
9. Connect the power cable to the junction box.

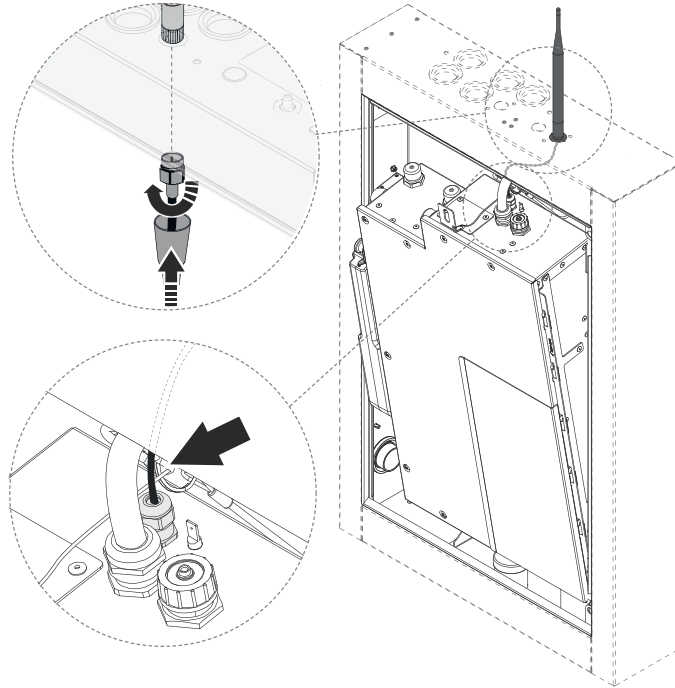


WARNING

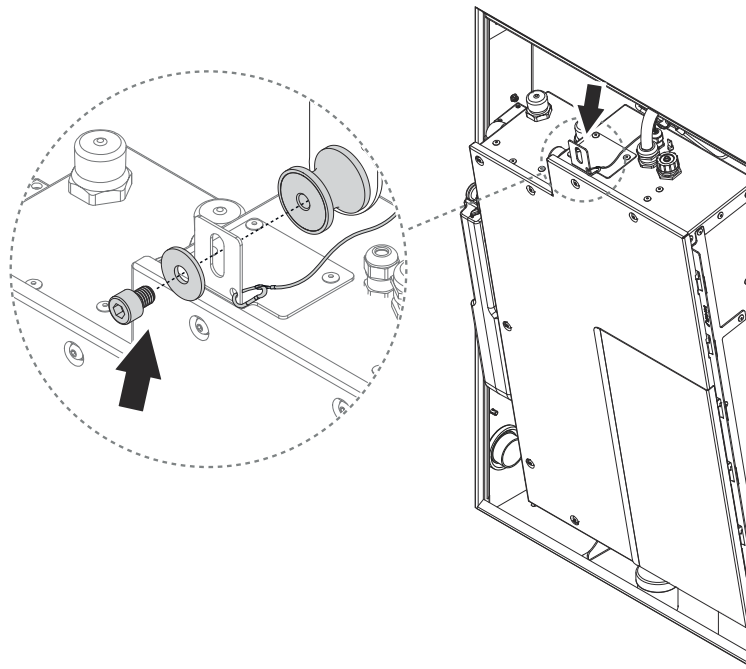
Electrical installation should be performed by a qualified electrician according to applicable industry standards and regulations.



10. Connect the Wi-Fi cable to the Wi-Fi antenna.

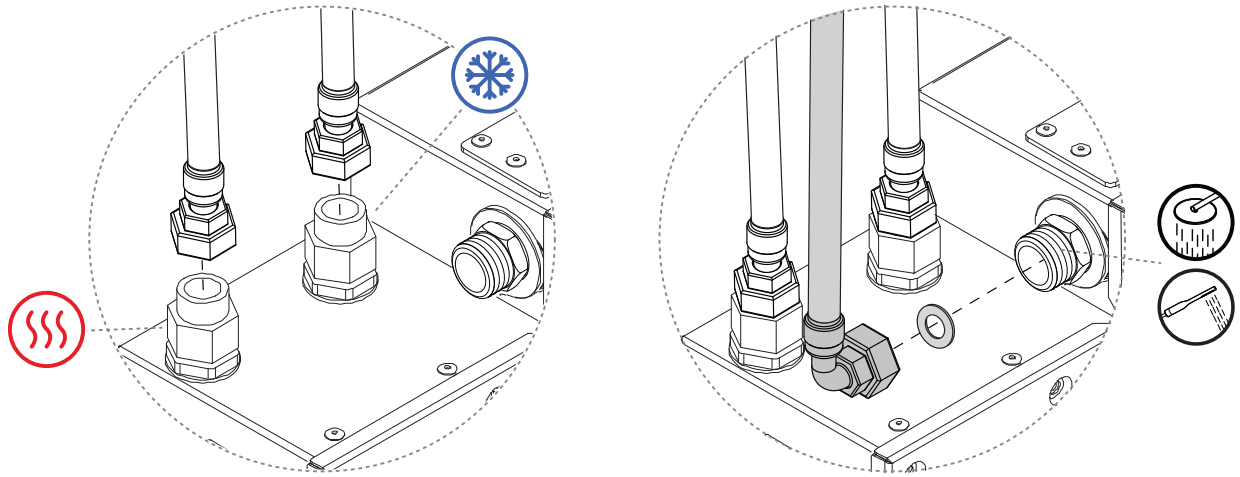


11. Lock the Core in place.

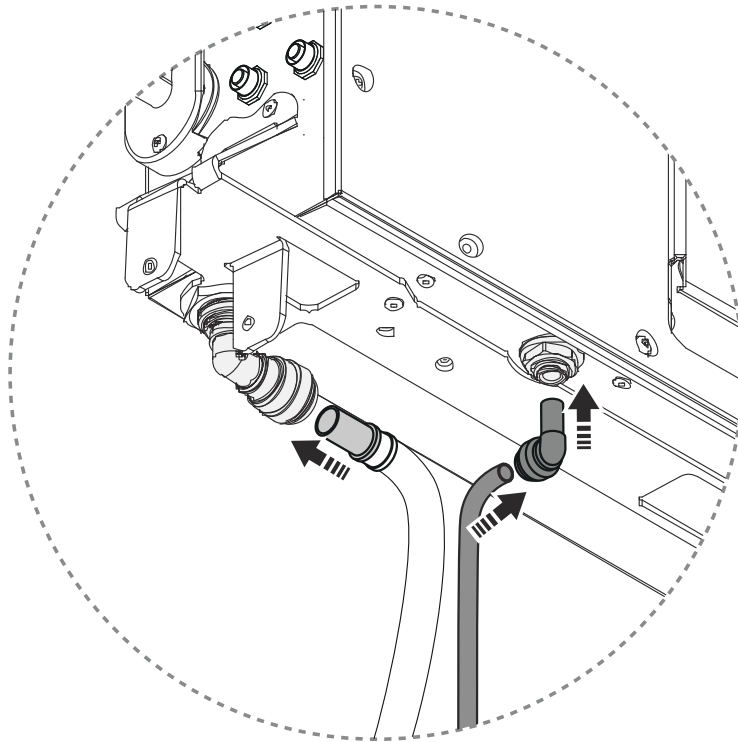


x1 M8 socket head

12. Connect incoming and outgoing water to the Core.

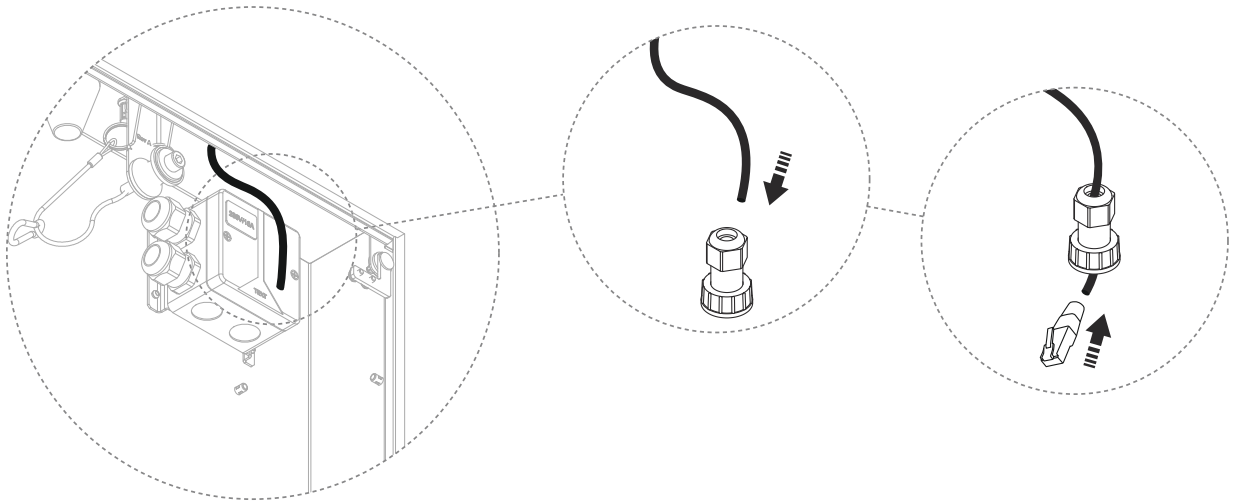


13. Connect the recirculation hose and flush hose to the bottom of the Core.

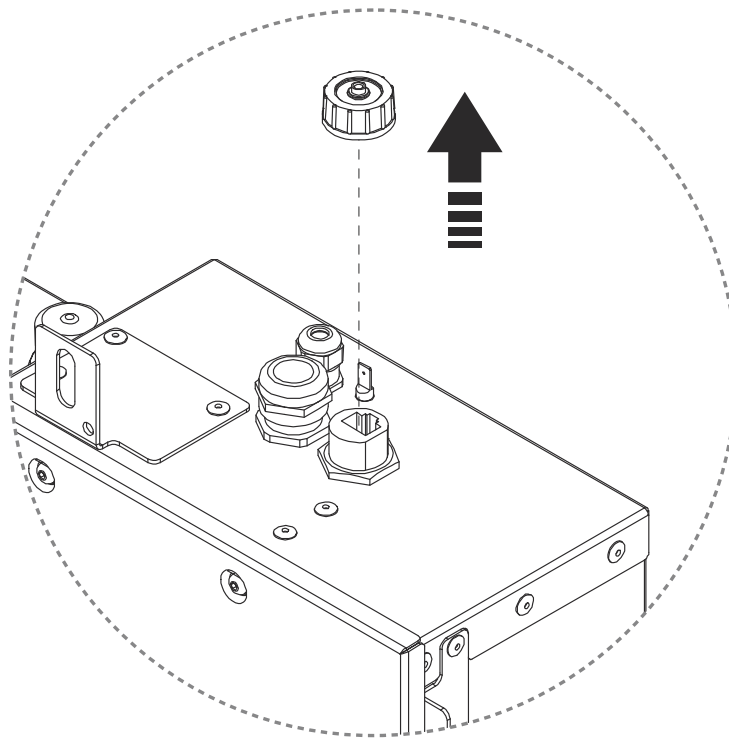


14. Only valid for Orbital ethernet installation

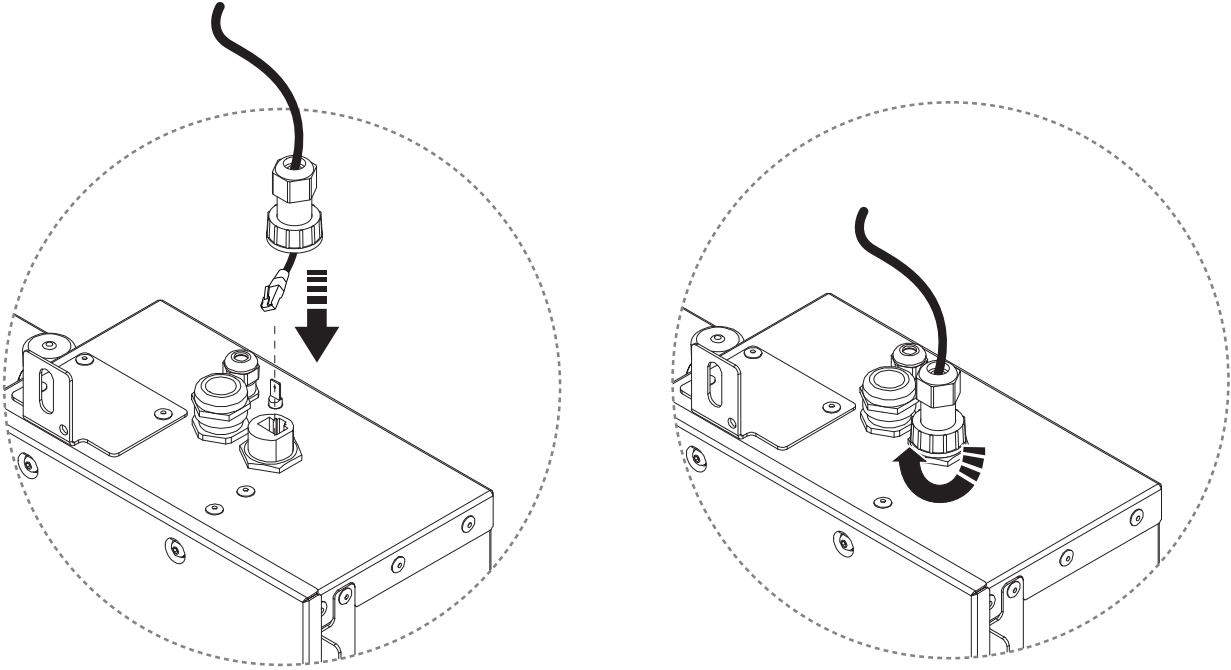
Pull the ethernet cable through the cable connector and attach the RJ45 connector.



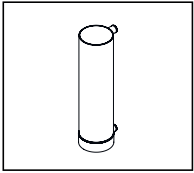
15. Unscrew the protective cover.



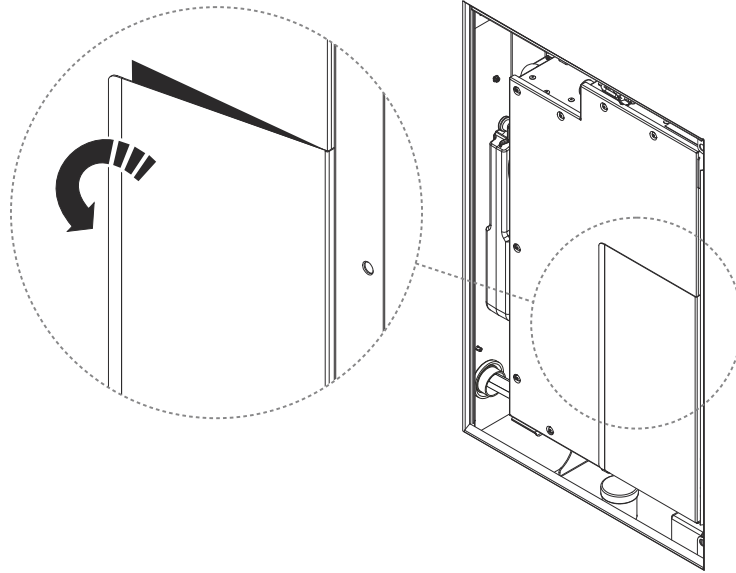
16. Hand tighten the cable connectors to avoid damage.



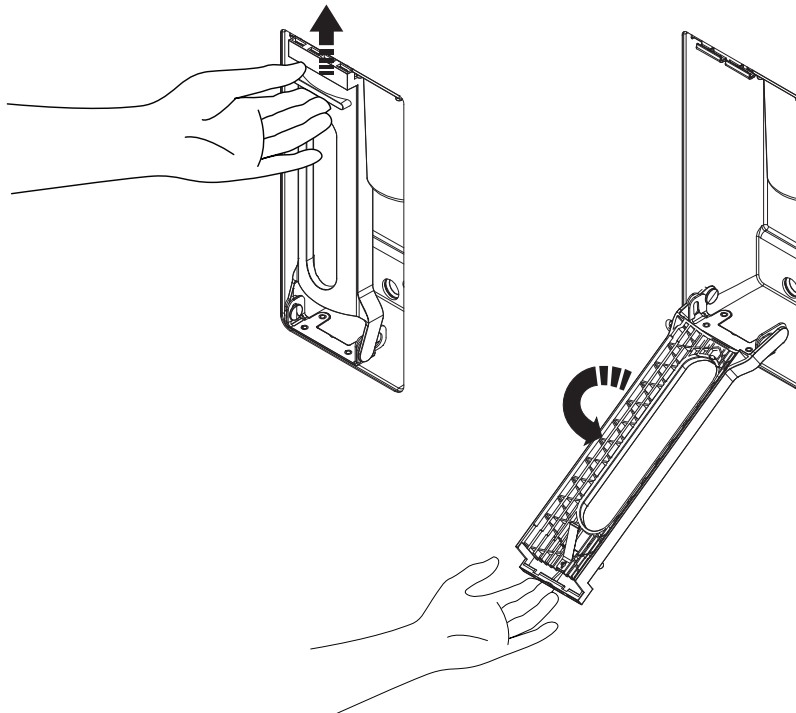
Add the Filter Capsule



1. Open the filter hatch on the Core.



2. Release the filter holder.

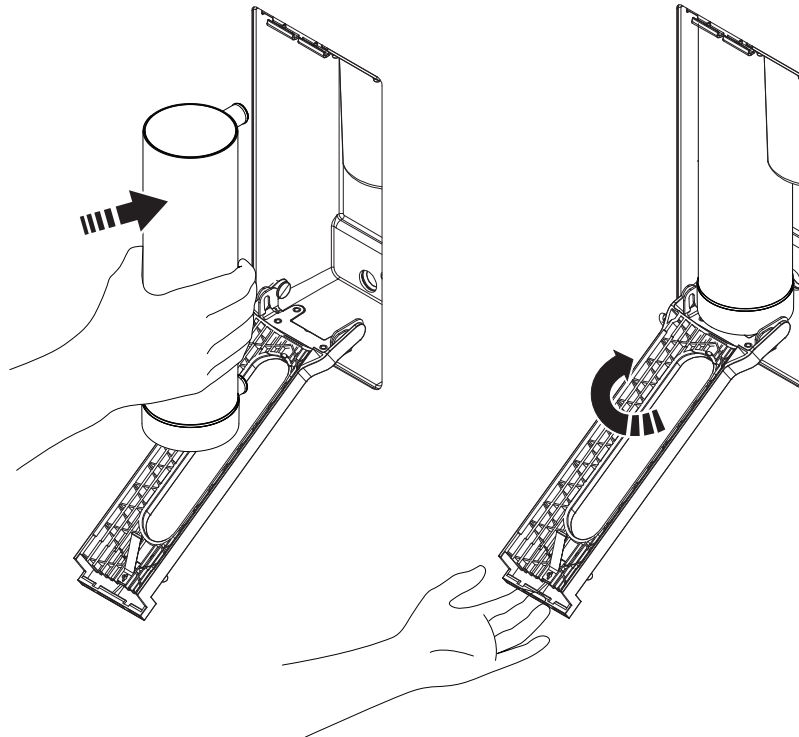


3. Insert the Filter Capsule.

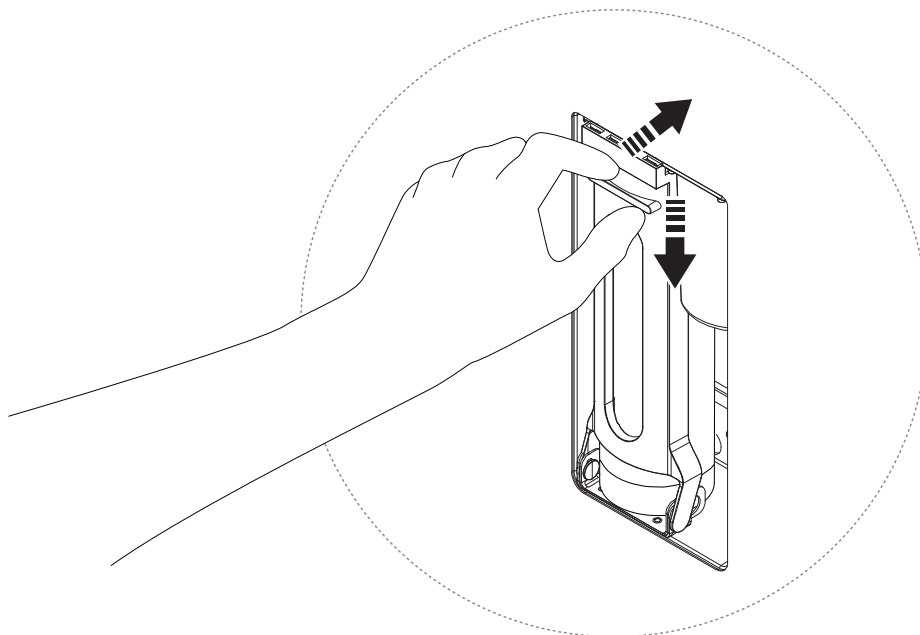


RISK OF LEAKAGE

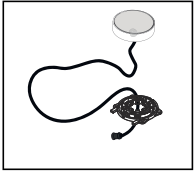
Make sure the Filter Capsule is inserted all the way in, or leakage may occur.



4. Close the filter holder and hatch on the Core.



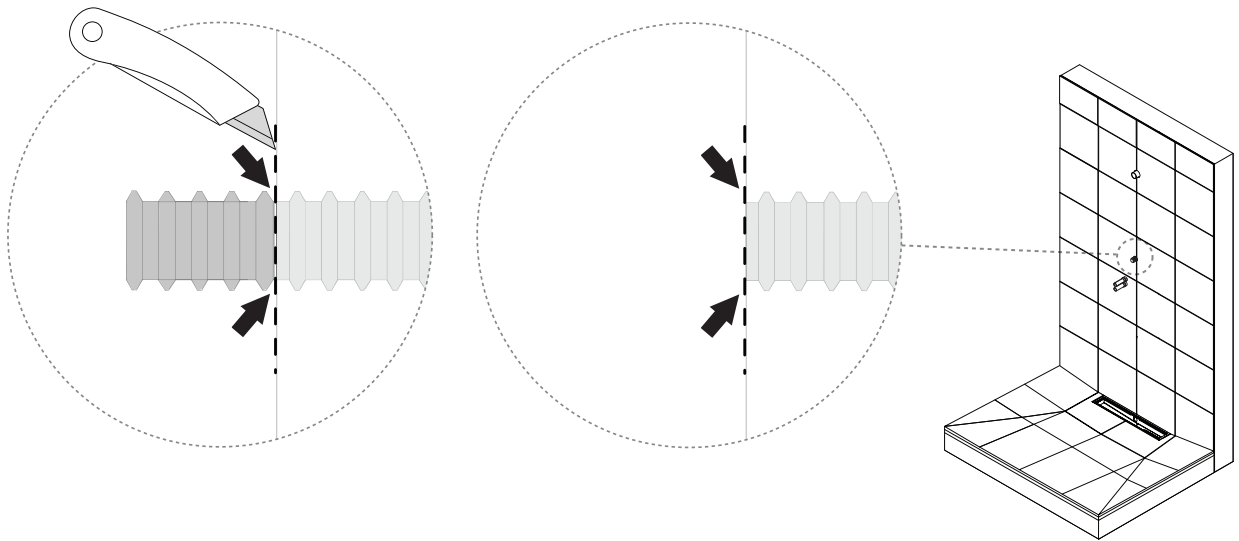
Install Control Dial



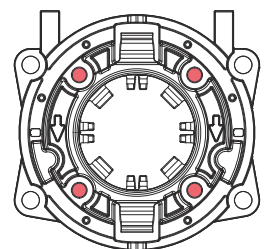
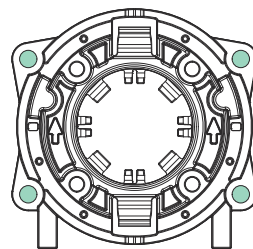
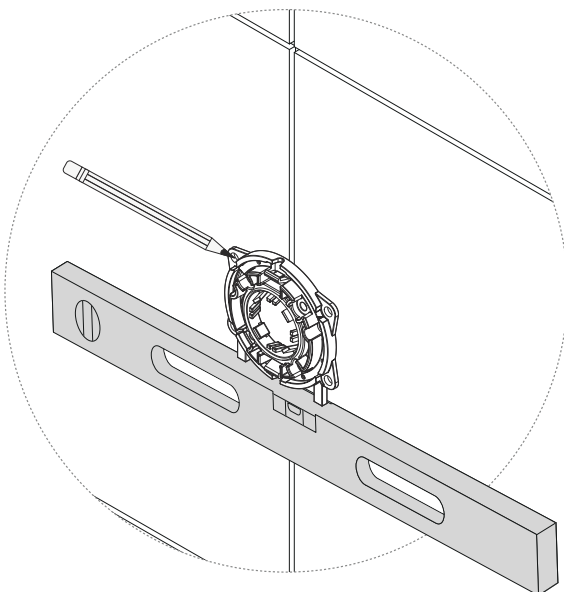
NOTICE

Do not remove the protective cover from the Control Dial until the installation is completed.

1. Cut the conduit flush to the tile surface.



2. Level the fixture and make sure it is centred on the hole in the wall. Measure and mark the outer holes.

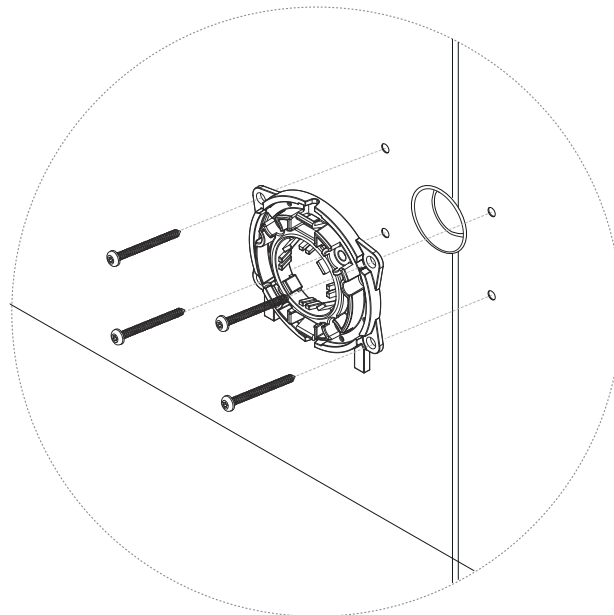


-
3. Drill 4 holes in the marked locations, and mount the bracket with the screws supplied.



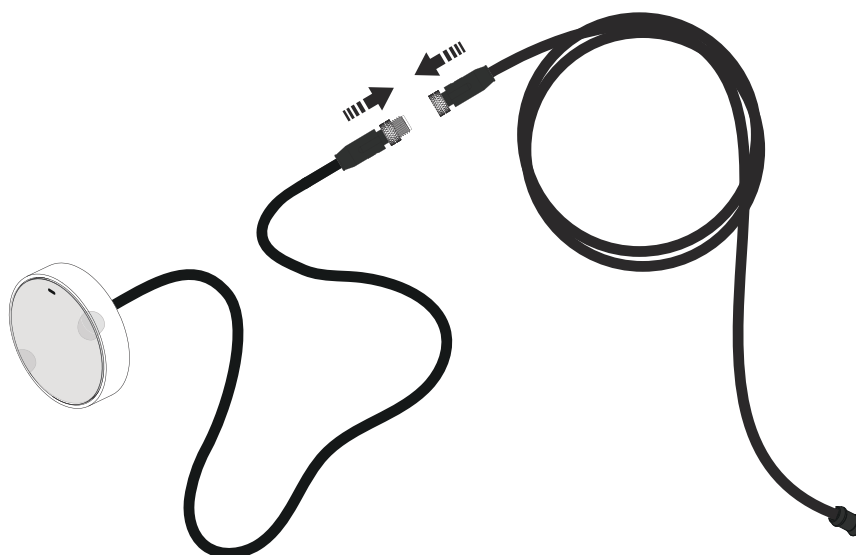
CAUTION

- Only drill through the tile itself, no deeper.
- Seal drill holes according to industry rules. See section [Seal mountings in wet zone \[8\]](#) for instruction.



x4 TX screw A4 (38 mm)

-
4. Connect the Control Dial cable to the extension cord.

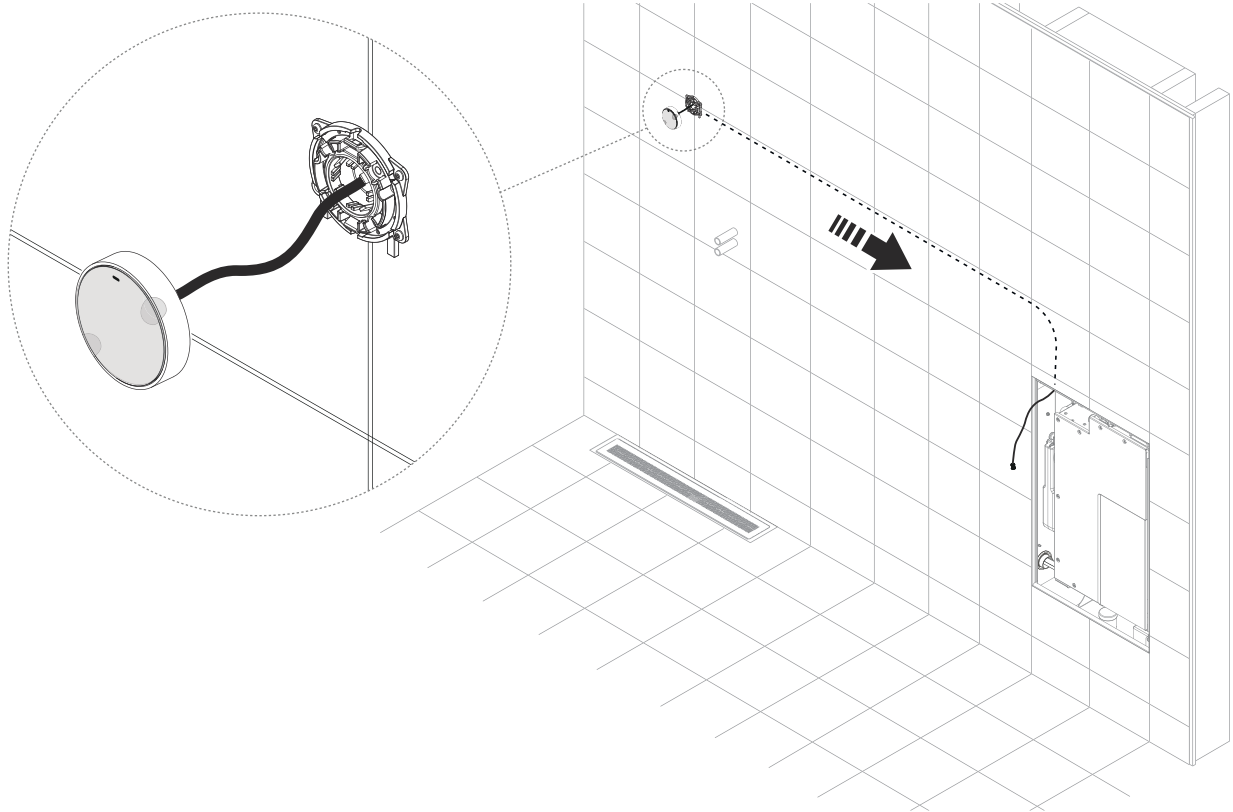


5. Pull the cable through the conduit.

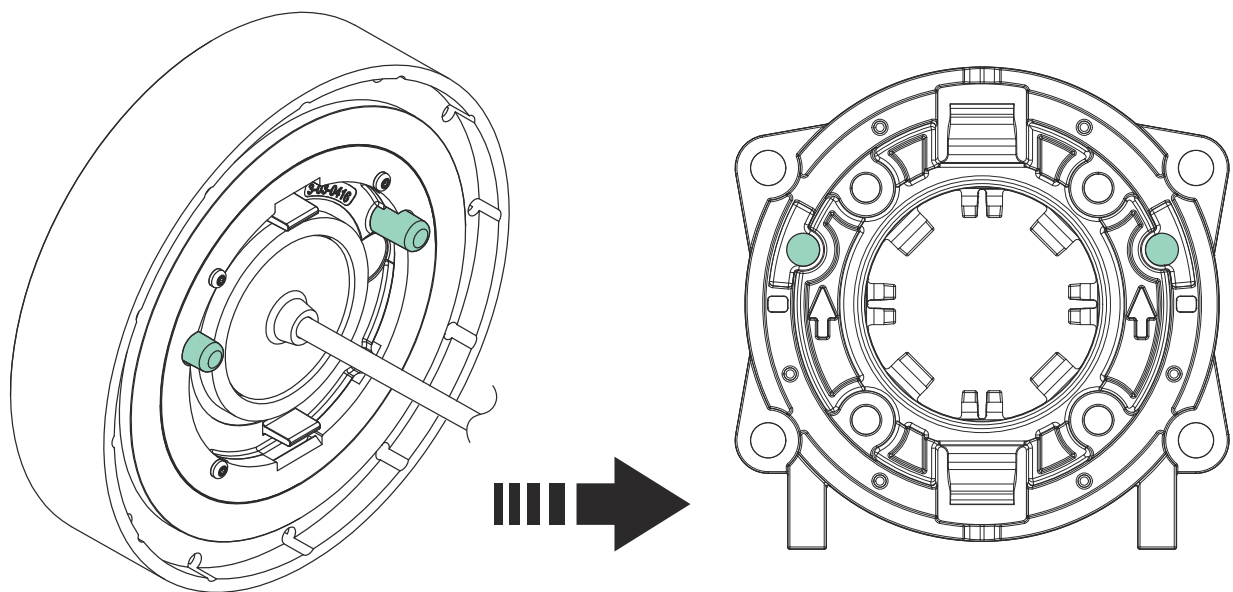


NOTICE

It is recommended to use fish tape to route the cables through the pipes.



6. Position the Control Dial according to the “up marking” before assembly. Snap the Control Dial onto the fixture, and make sure to align the brackets according to the arrows.

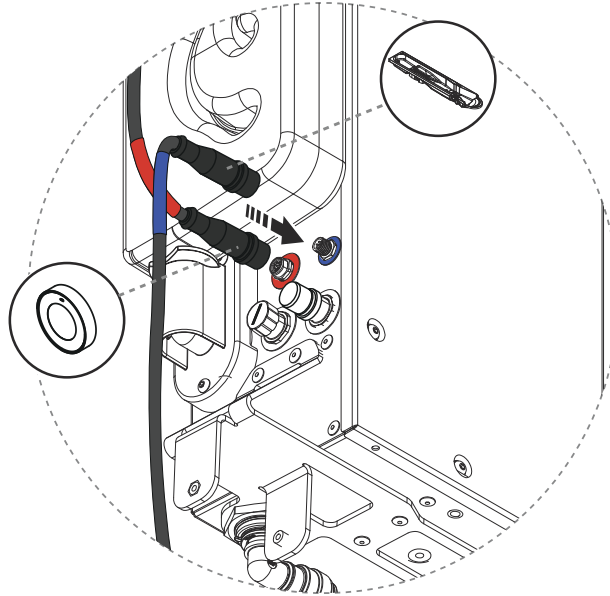


-
7. Connect the Control Dial cable to the red connector. Proceed by connecting the Sensor Tank cable to the blue connector.



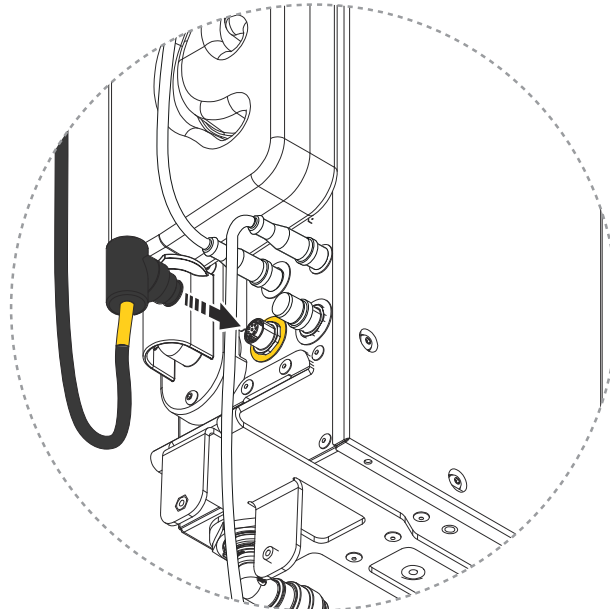
CAUTION

Make sure to have correct alignment between key and slot in connectors. This must be done with attention to prevent damage to the pins. Make sure locking ring snaps and connector is locked.



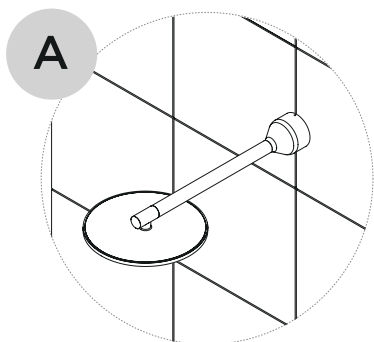
8. Only valid for Orbital Audio Installation

Connect the amplifier cable to the yellow connector.

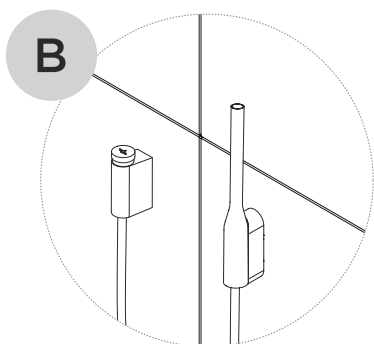


Next Step

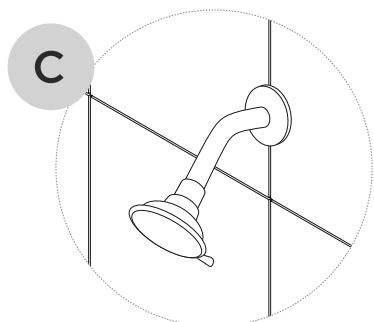
Orbital Shower Core installation completed. The next step depends on the shower variant:



Follow the steps valid for Orbital Systems overhead shower. Depending on finish, see [Installing the black or white overhead shower \[36\]](#) or [Installing the metallic overhead shower \[39\]](#).



Follow the steps valid for Orbital Systems hand shower [Installing the diverter and hand shower \[44\]](#) , and depending on finish [Installing the black or white hand shower holder \[49\]](#) or [Installing the metallic hand shower holder \[51\]](#).

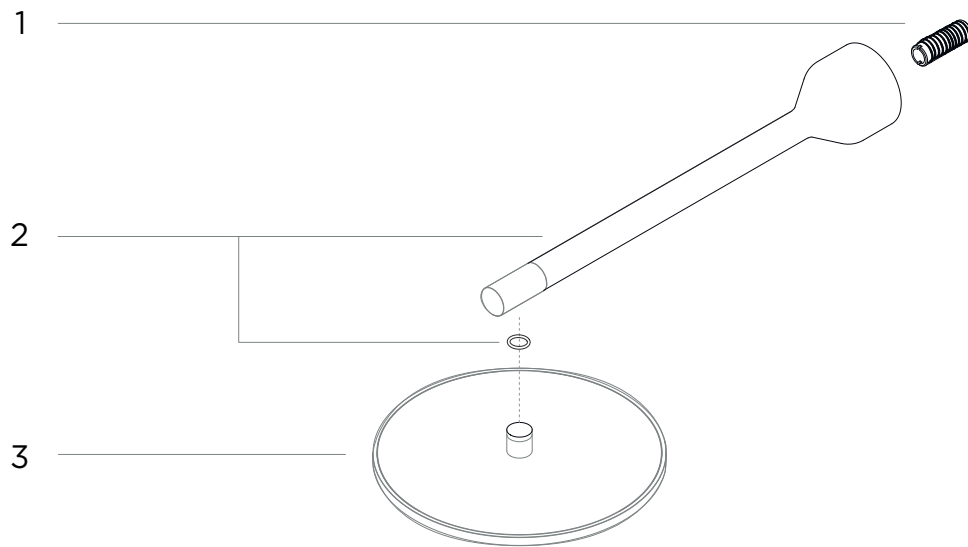


If installing Orbital Shower with third-party components, adapt the following steps to the supplier's instructions.

Installing the black or white overhead shower

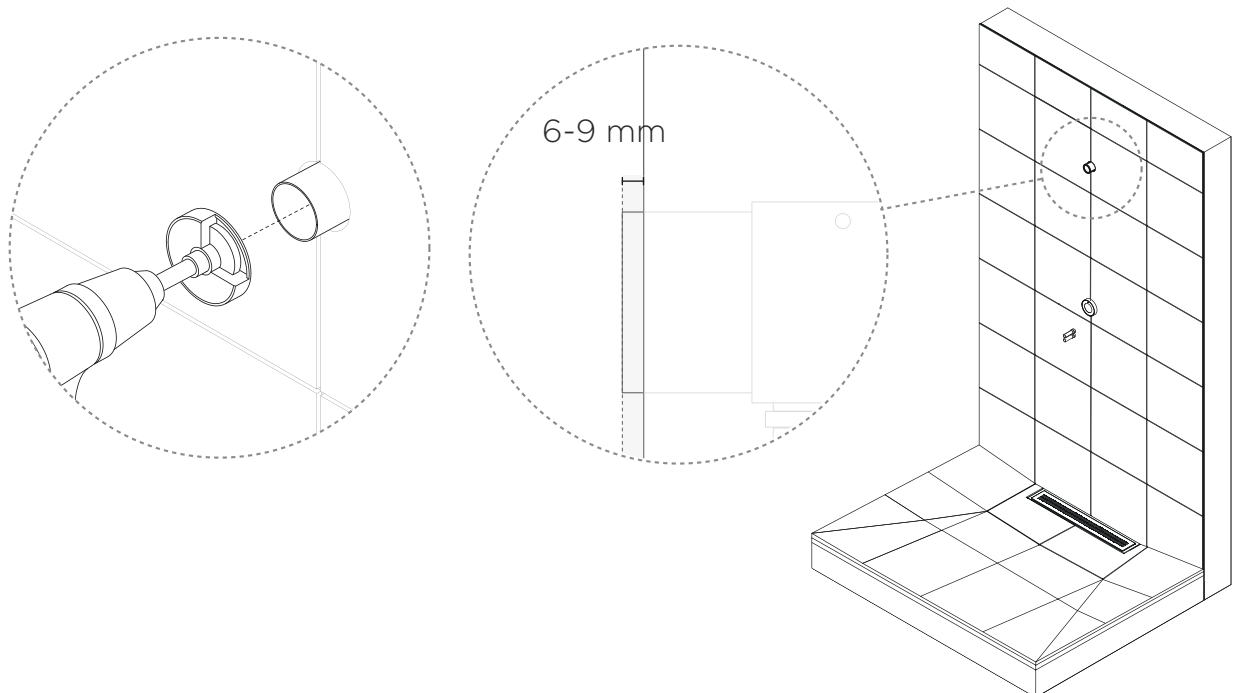
For the metallic overhead shower, see [Installing the metallic overhead shower \[39\]](#).

Component Overview



1. Threaded adapter
2. Overhead shower arm with gasket
3. Overhead shower

1. Cut the Wallbox UNI Push so that it protrudes 6-9 mm. We recommend using the LK Wallbox Cutter UNI.

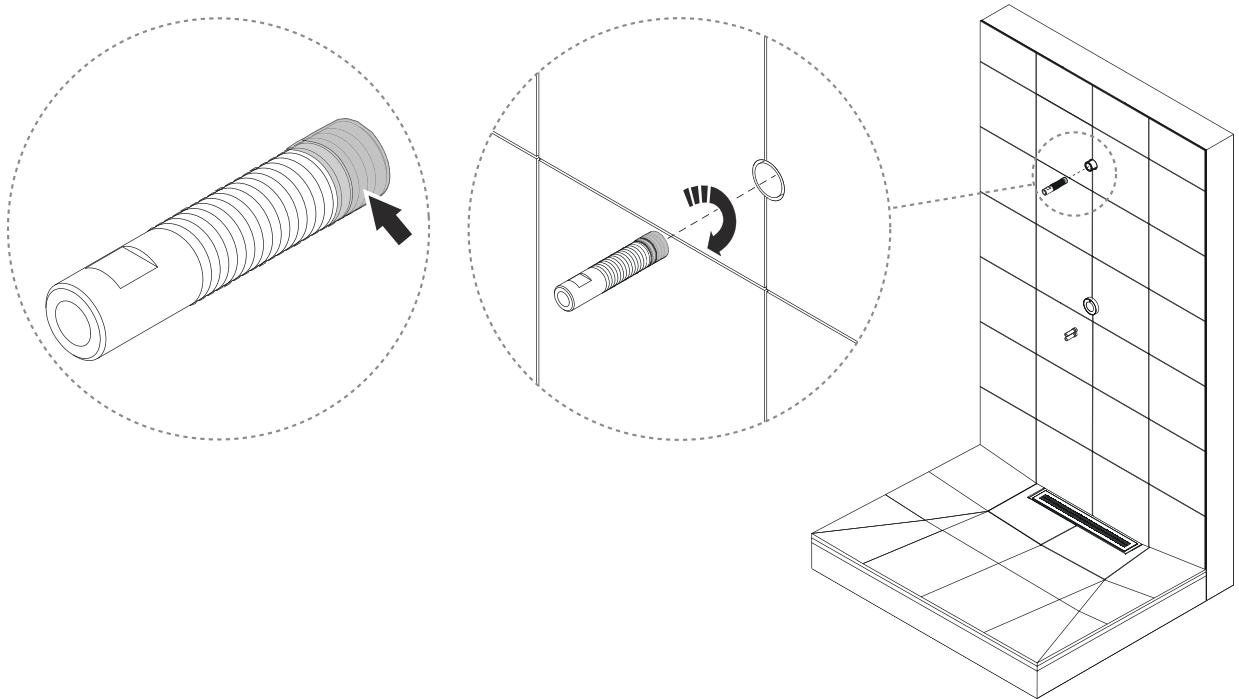


2. Fit the threaded adapter into the UNI Push wallbox.

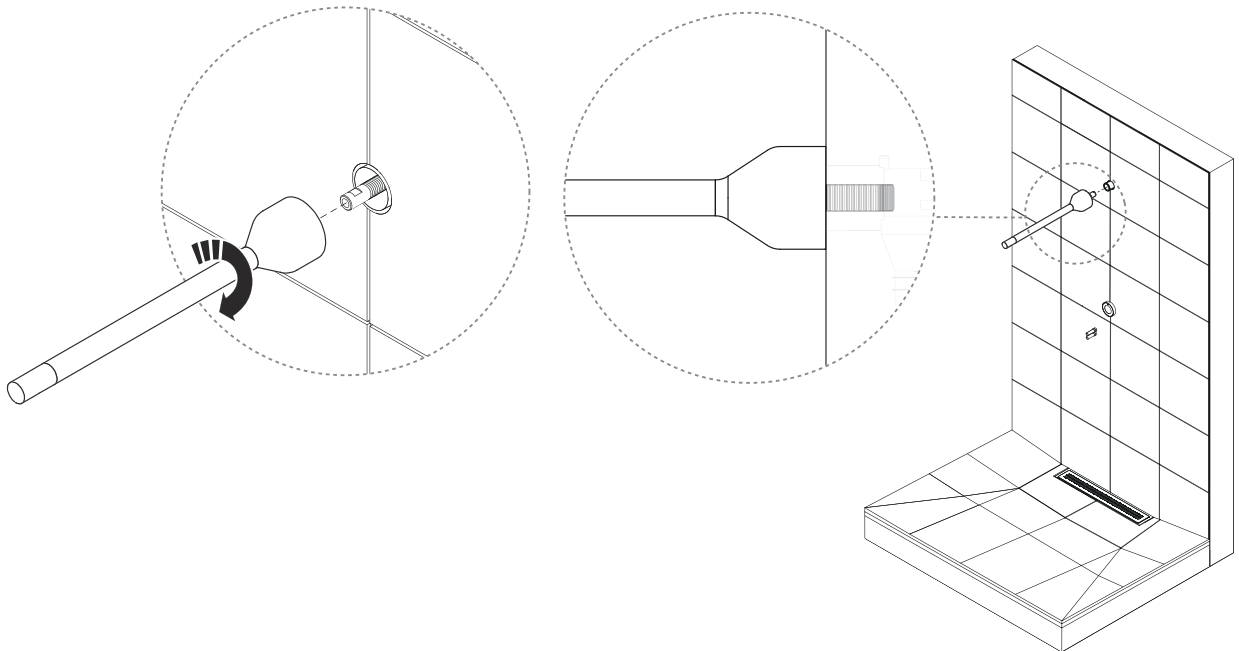


NOTICE

Cover the end of the threaded adapter with thread sealant to avoid leakage.



3. Install the overhead shower arm.

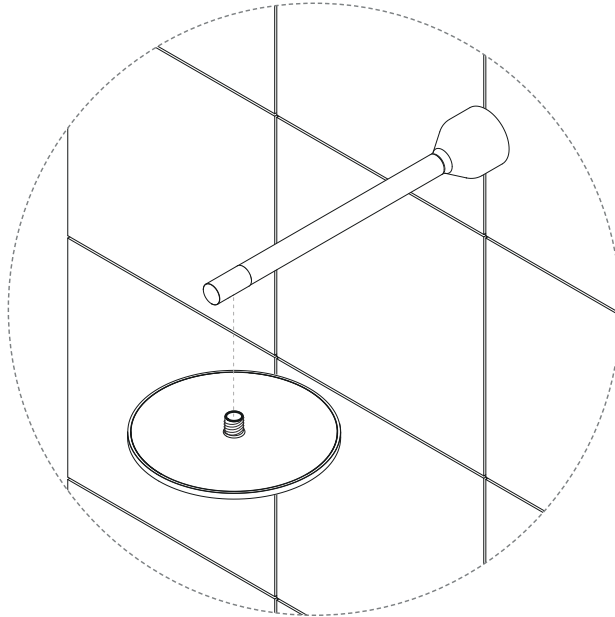


4. Fit the overhead shower onto the arm.



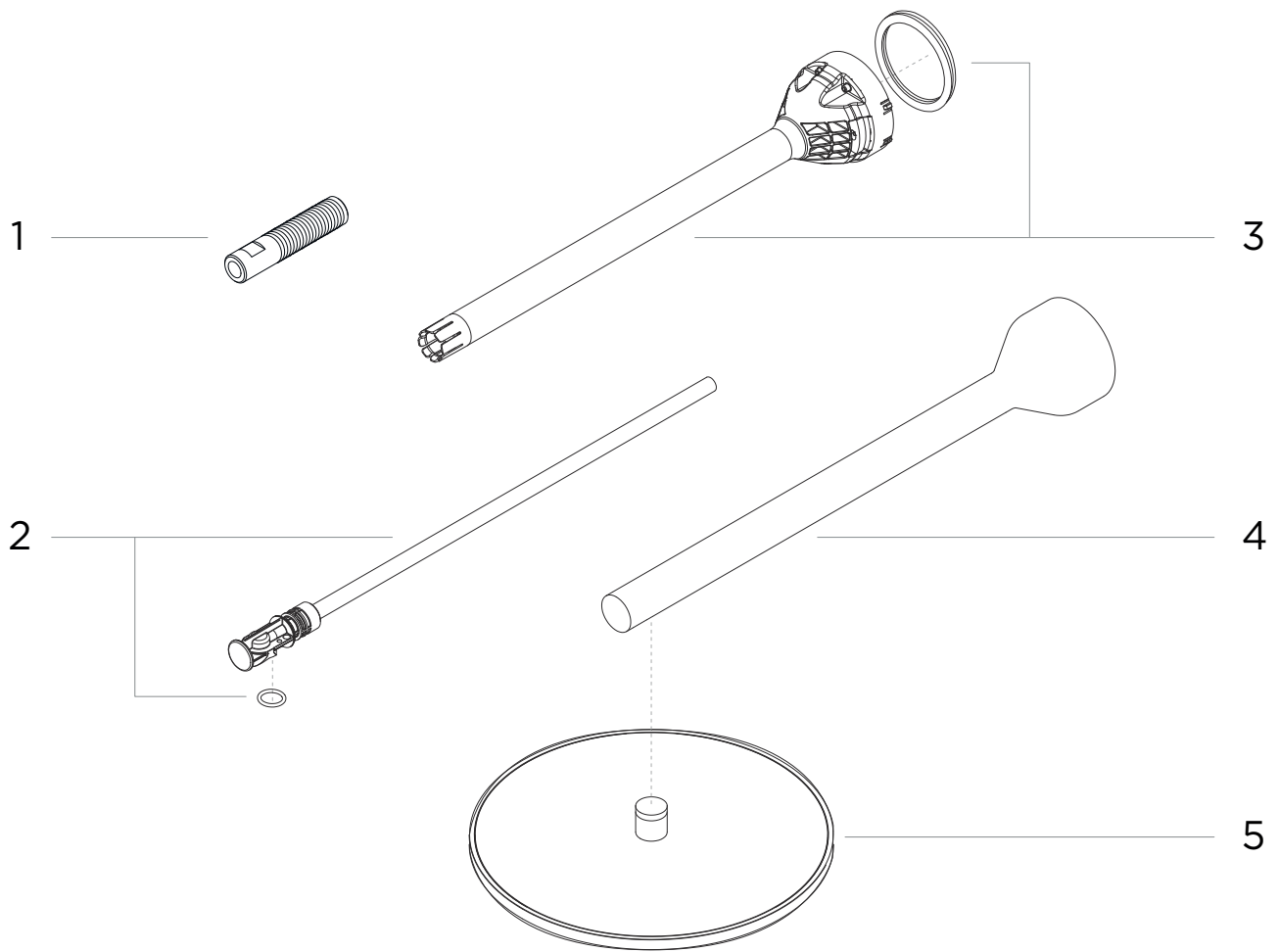
CAUTION

Make sure the gasket is in place, not to cross thread, and not to overtighten.



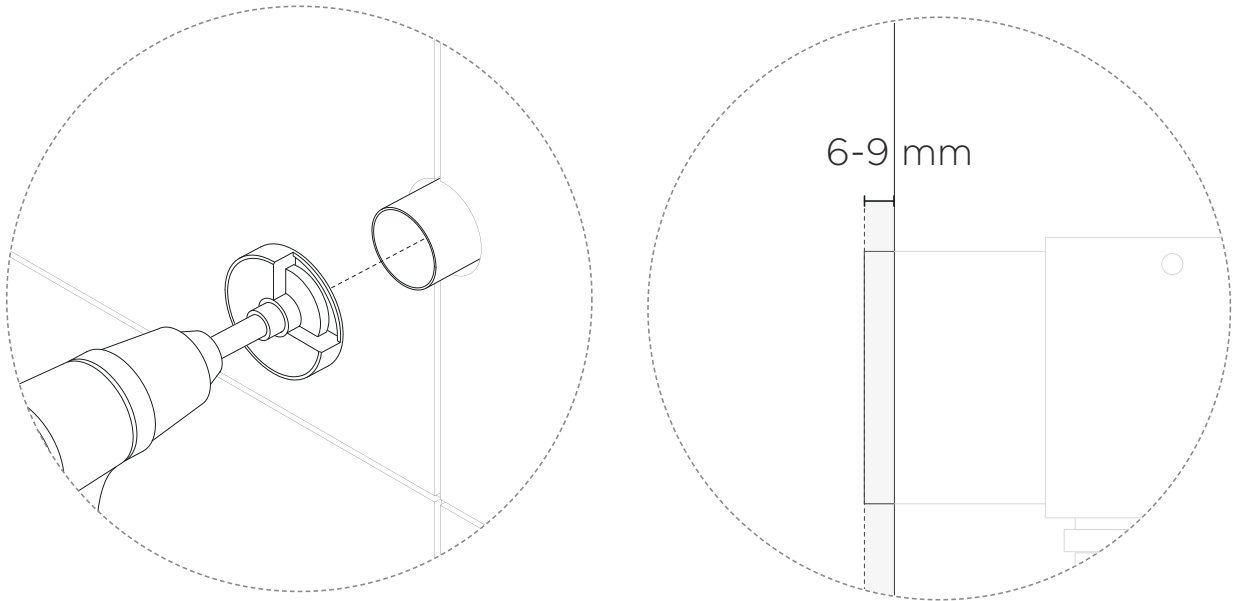
Installing the metallic overhead shower

Component Overview



1. Threaded adapter
2. Overhead shower internal PEX pipe
3. Overhead shower arm + support ring
4. Metal cover
5. Overhead shower

1. Cut the wallbox UNI Push so that it protrudes 6-9 mm. We recommend using the LK Wallbox Cutter UNI.

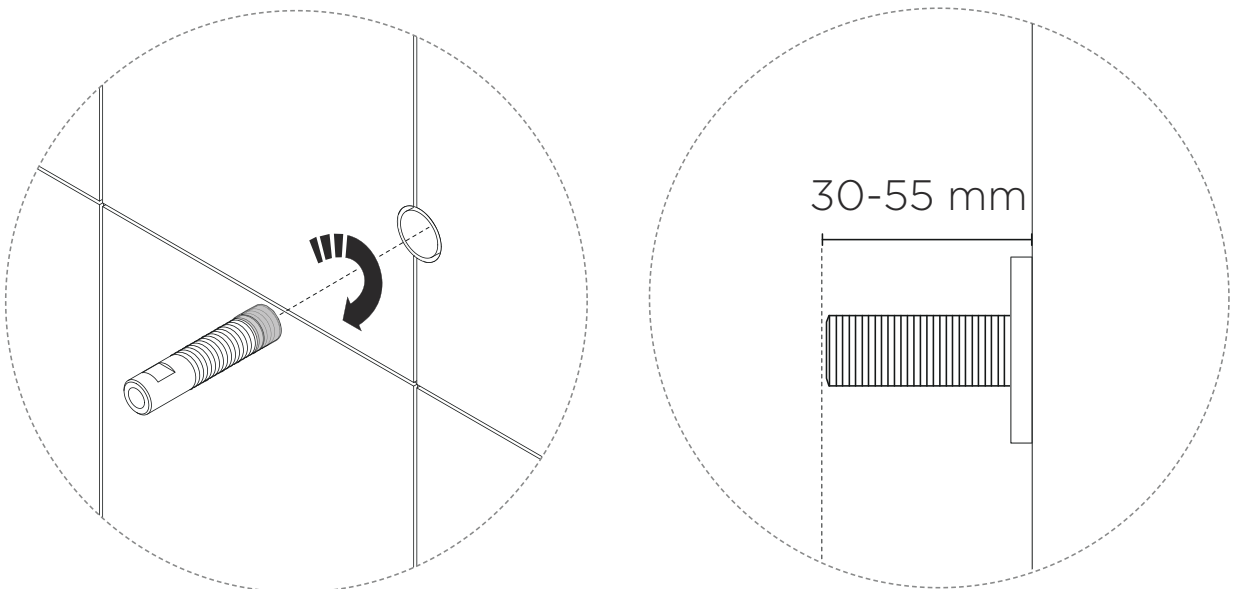


2. Fit the threaded adapter into the UNI Push wallbox, so that it protrudes 30-55 mm from the wall surface. Cut it if needed.



NOTE

Cover the end of the threaded adapter with thread sealant to avoid leakage.

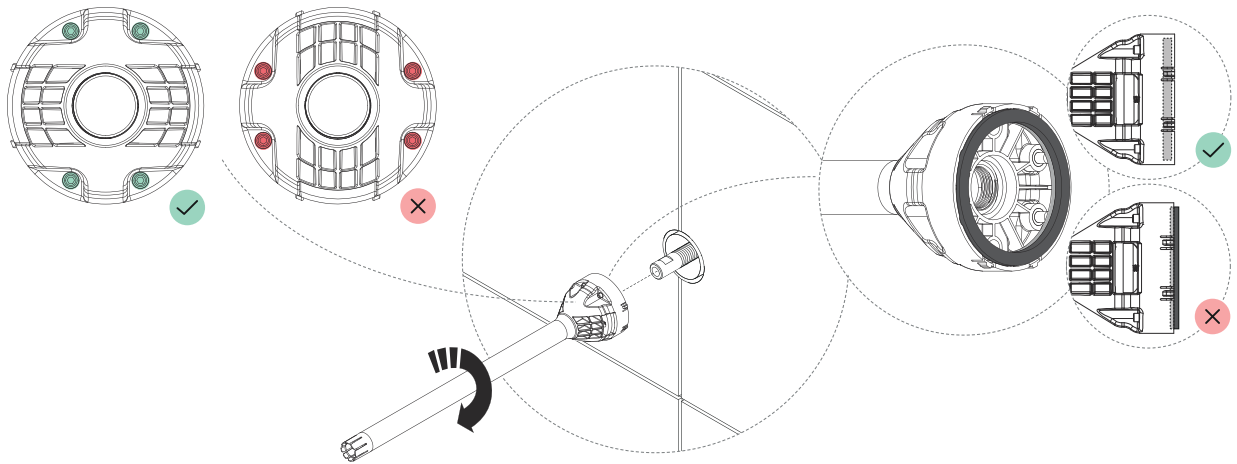


-
3. Fit the overhead shower arm onto the adapter and screw it in fully until it meets the wall.



CAUTION

Ensure the support ring is in place with the rubber side facing the wall. When the overhead shower arm is screwed on, the support ring should be fully recessed and not protrude from the base.

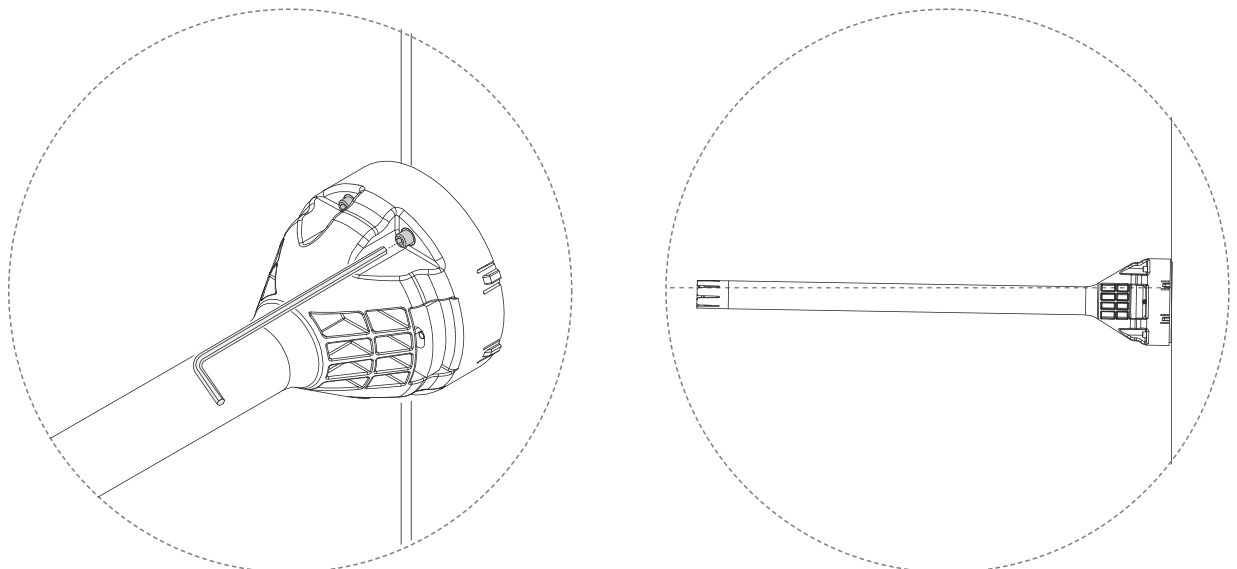


-
4. If the arm angle needs adjustment, loosen it about half a turn from the wall, then use the set screws to adjust the angle.

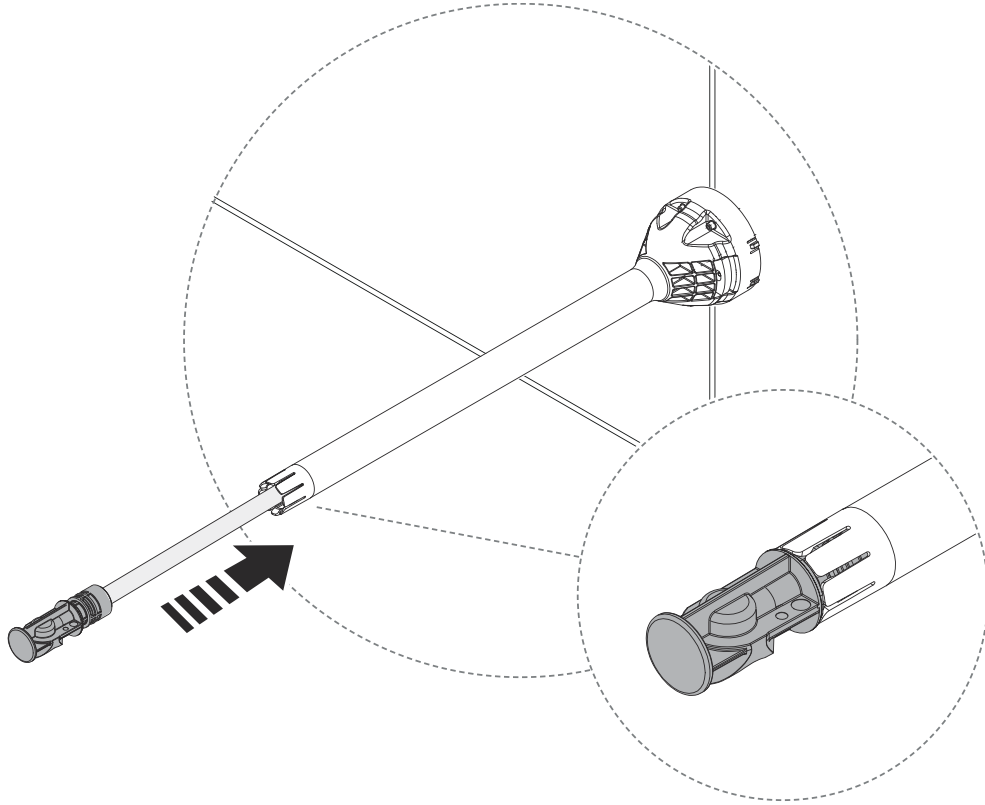


NOTE

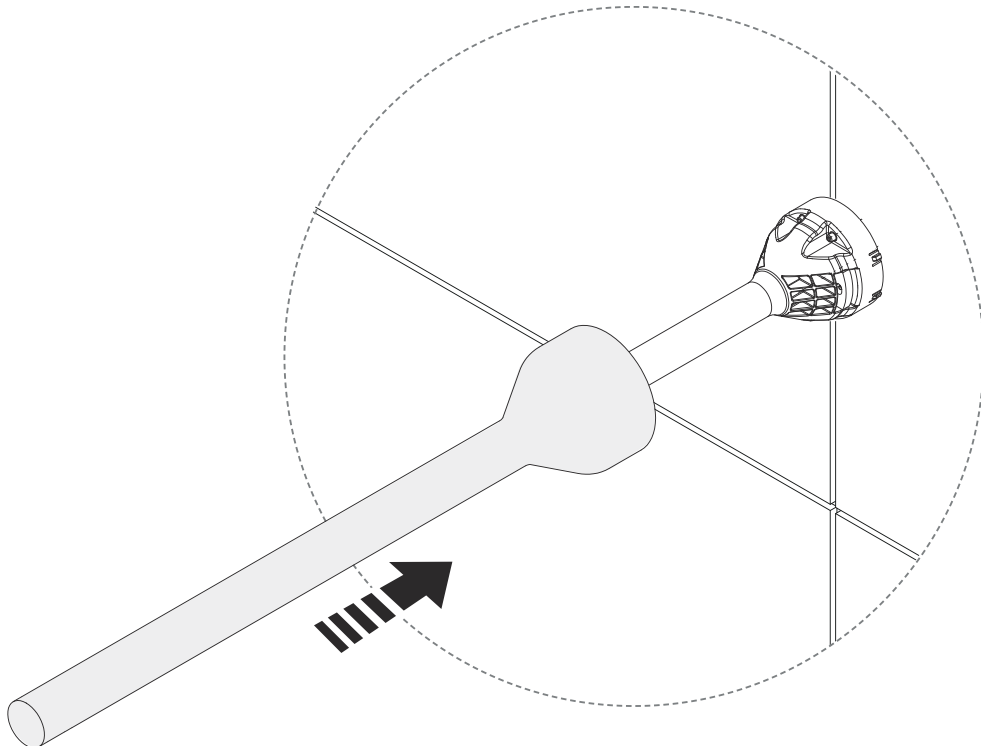
The overhead shower will add some weight. Adjust the angle of the arm slightly upwards to compensate for the added weight.



5. Push the PEX pipe into the overhead shower arm.



6. Fit the metal cover over the overhead shower arm.

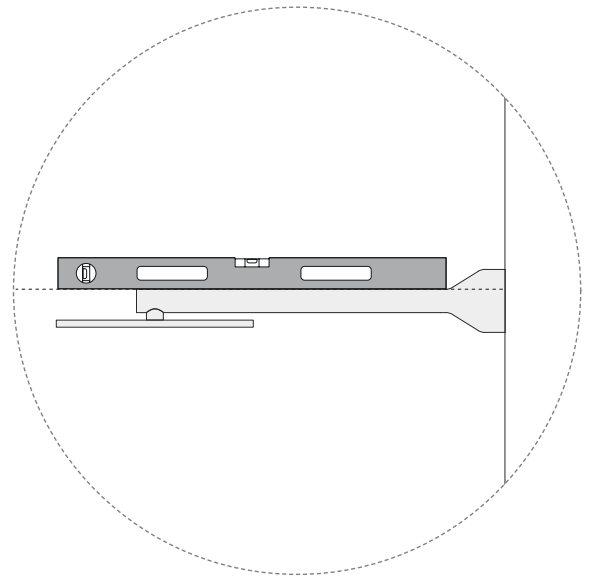
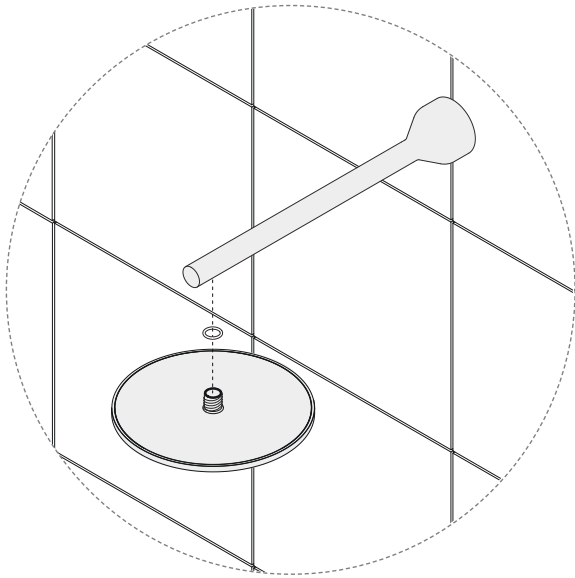


7. Fit the overhead shower onto the arm. Check the angle with a spirit level.



CAUTION

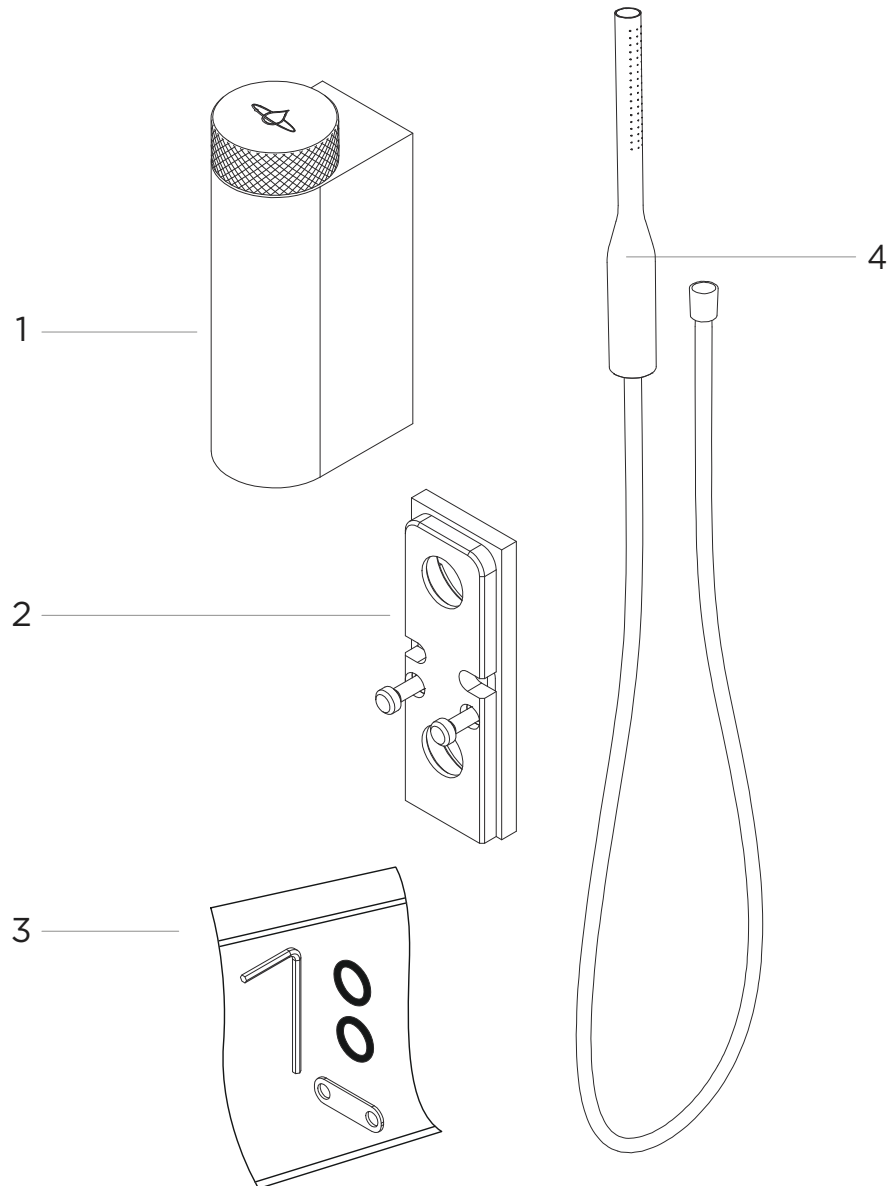
Make sure the gasket is in place, not to cross thread, and not to overtighten.



Installing the hand shower

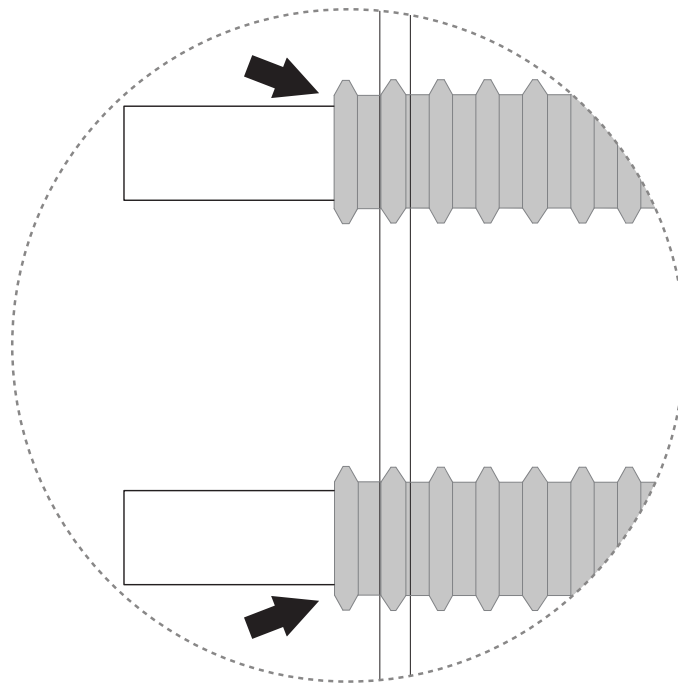
Installing the diverter and hand shower

Component Overview



1. Diverter body
2. Diverter wall plate
3. Diverter accessories
4. Hand shower and hose

1. Cut the conduits to a minimum of 6 mm and a max of 9 mm outside of the tile surface.

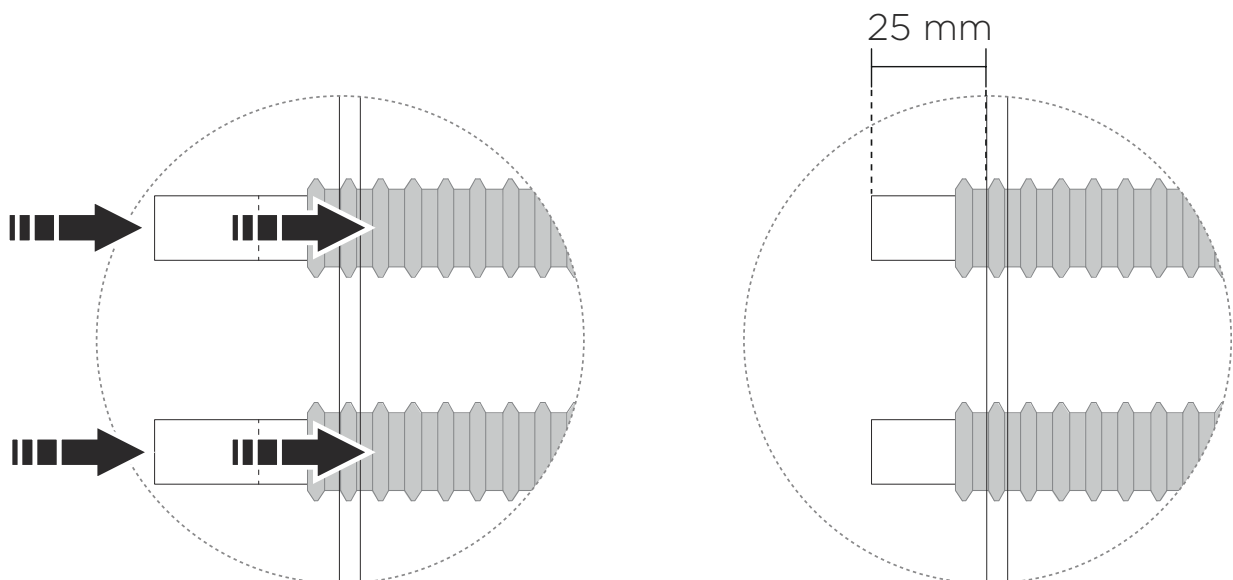


2. Push the PEX pipes in until it stops, and cut them 25 mm outside the tile surface. Deburr and calibrate the pipes.

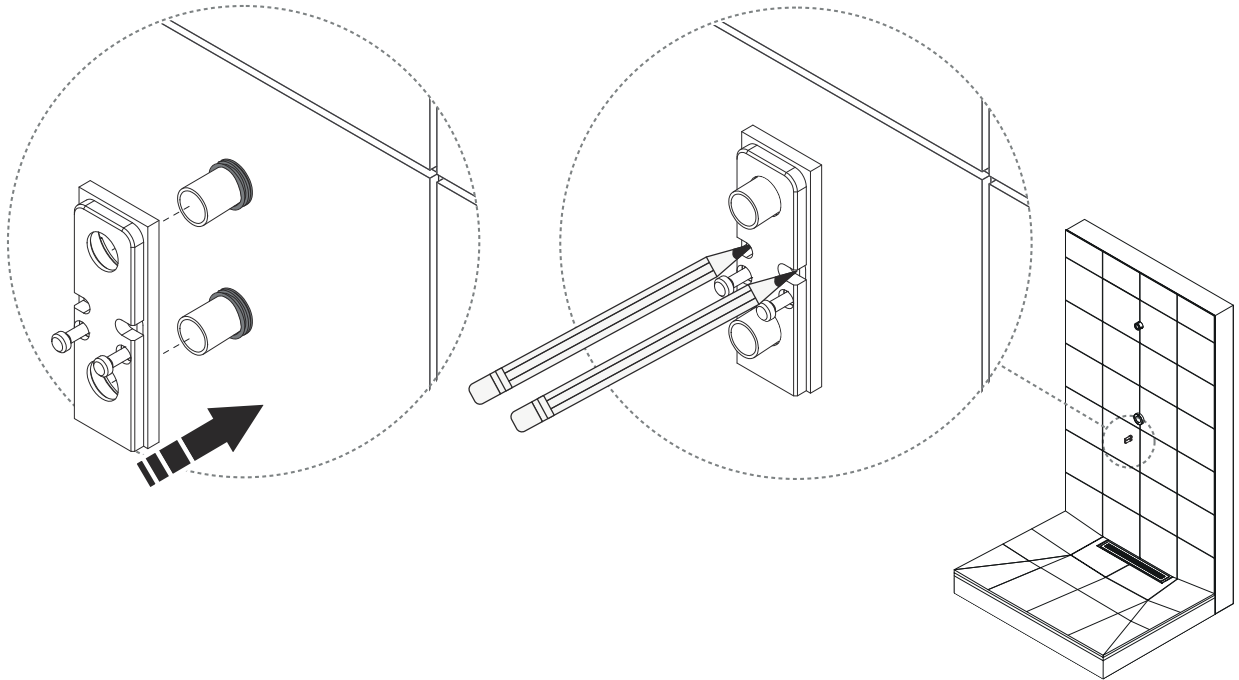


CAUTION

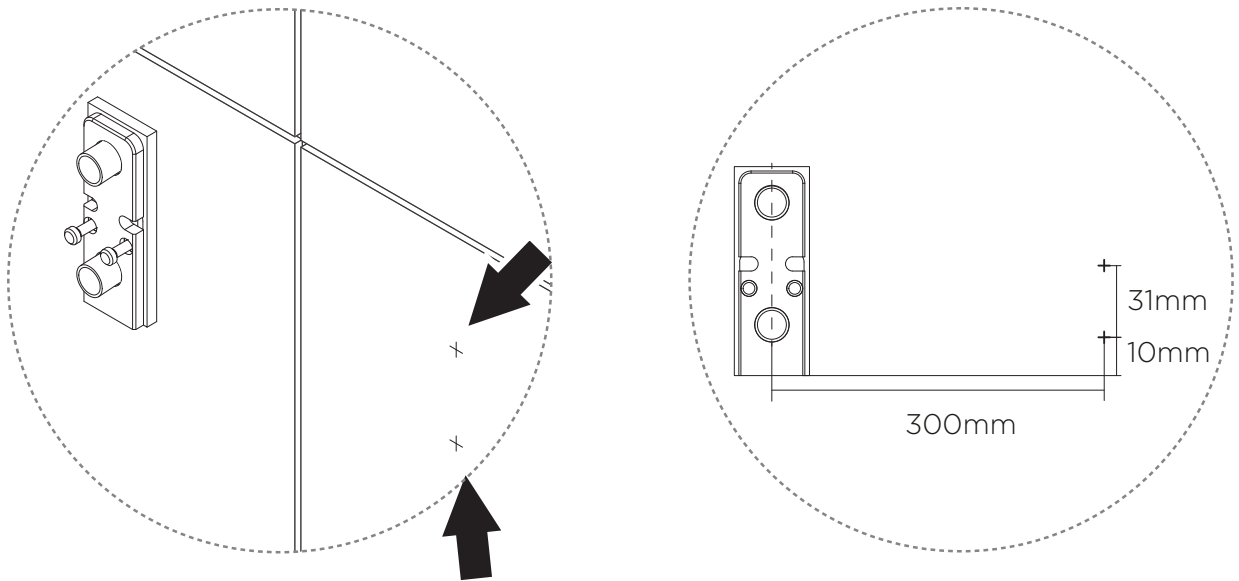
It's important that the PEX hoses are pushed in all the way to 'stop' before cutting.



3. Measure and mark the hole positions for the diverter.



4. Mark hole positions for the hand shower holder.

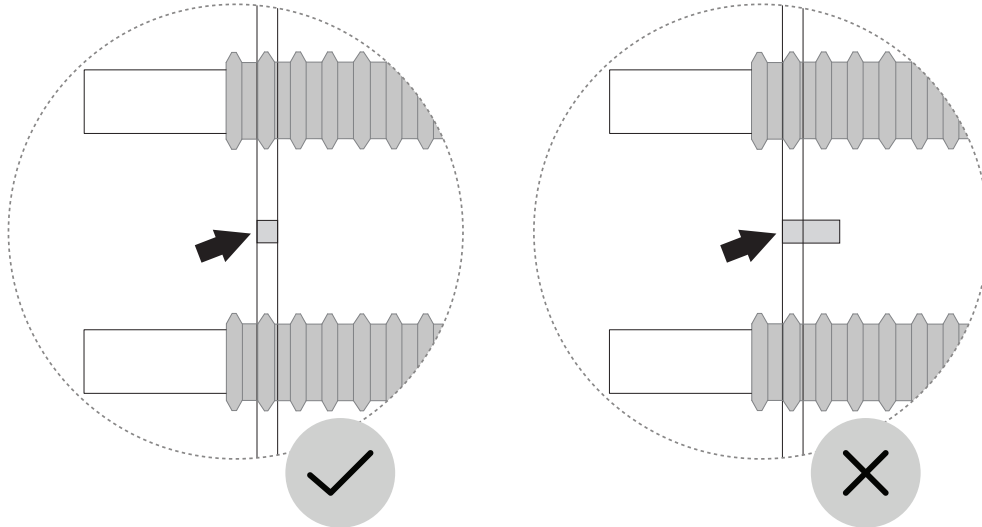


5. Drill four holes (6 mm) in marked locations.



CAUTION

- Only drill through the tile itself.
- Seal drill holes in accordance with applicable industry standards. See section [Seal mountings in wet zone \[8\]](#) for instructions.

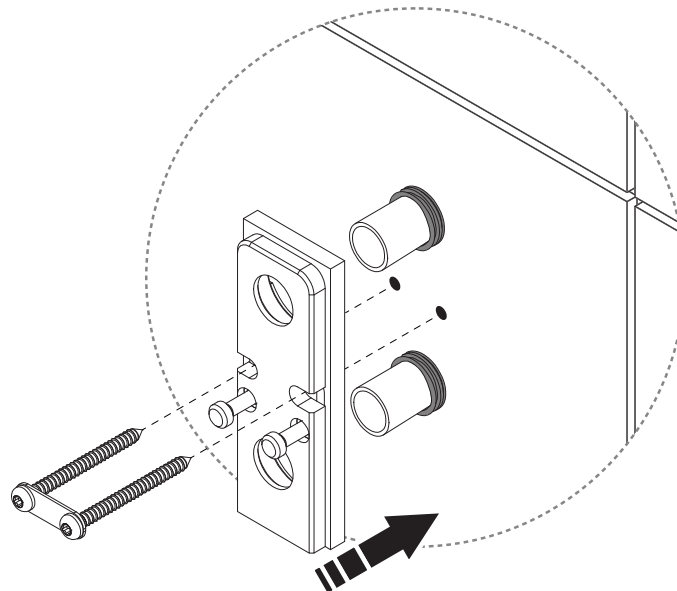


6. Mount the diverter wall plate using the twin washer.



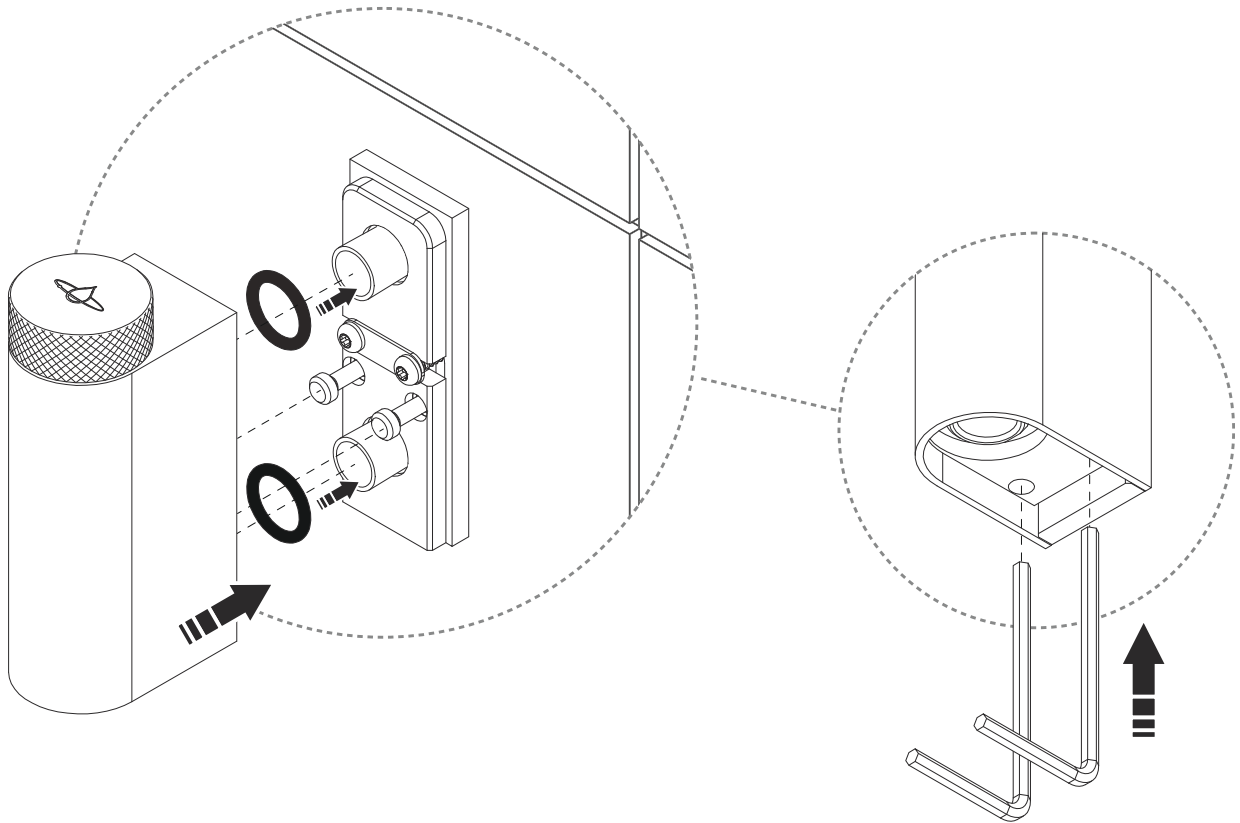
CAUTION

Choose screw according to wall thickness.

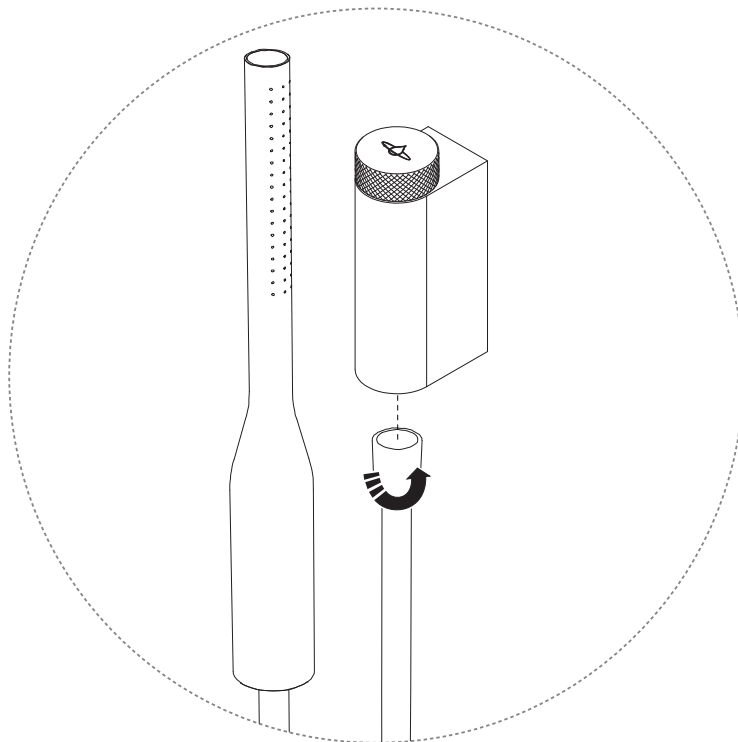


x1 Twin washer

7. Secure the diverter body to the diverter wall plate.



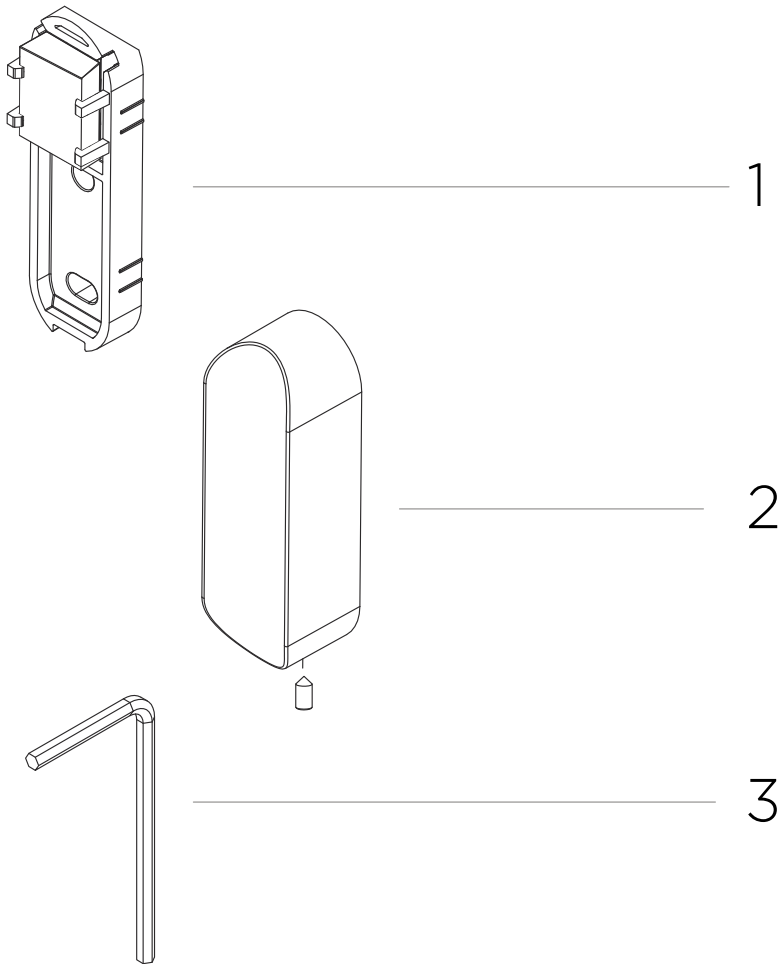
8. Screw the hose onto the diverter.



Installing the black or white hand shower holder

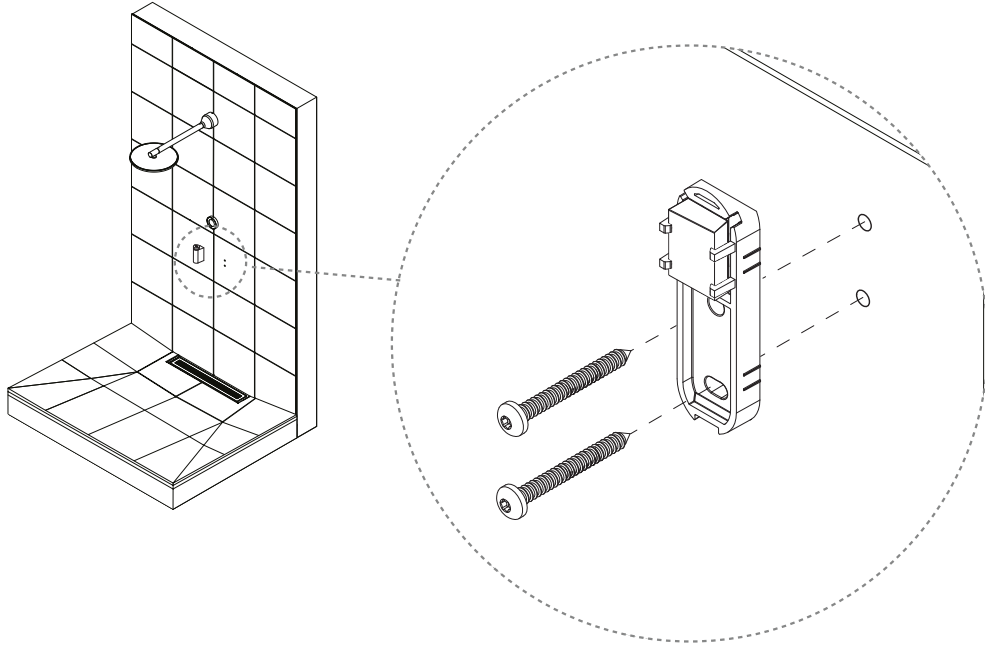
For the metallic hand shower holder, see [Installing the metallic hand shower holder \[51\]](#).

Component Overview

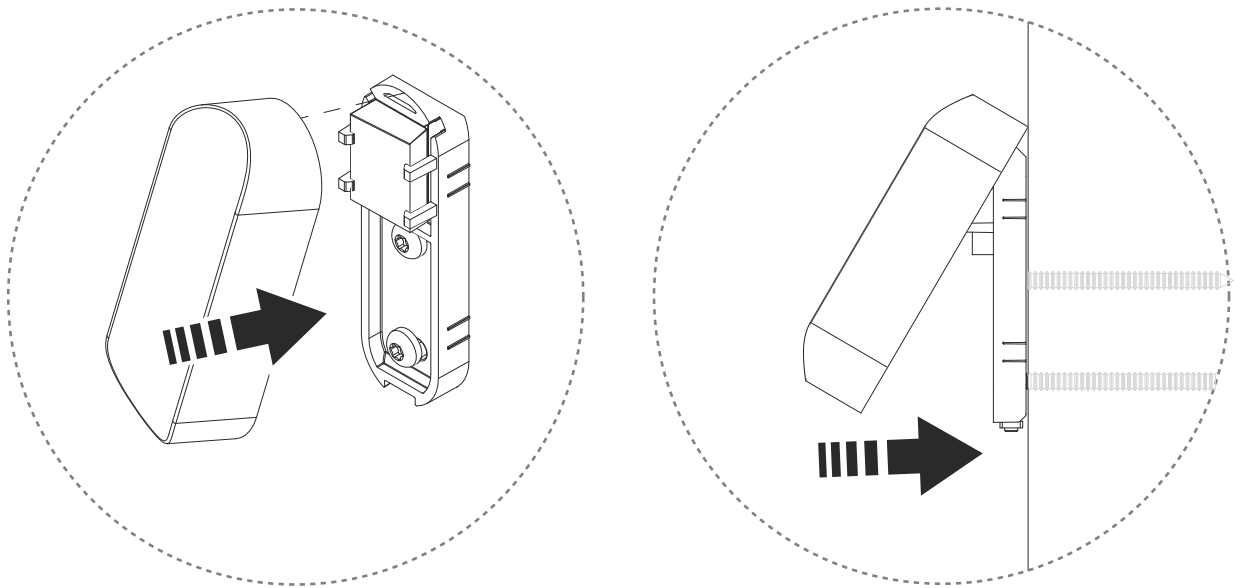


1. Hand shower holder
2. Hand shower holder cover
3. Hex tool 2mm

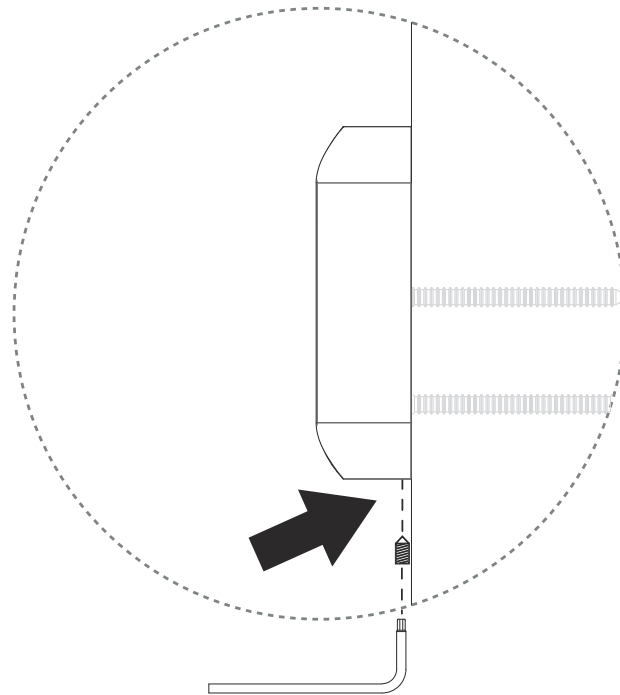
1. Install the hand shower holder.



2. Mount the hand shower holder cover.

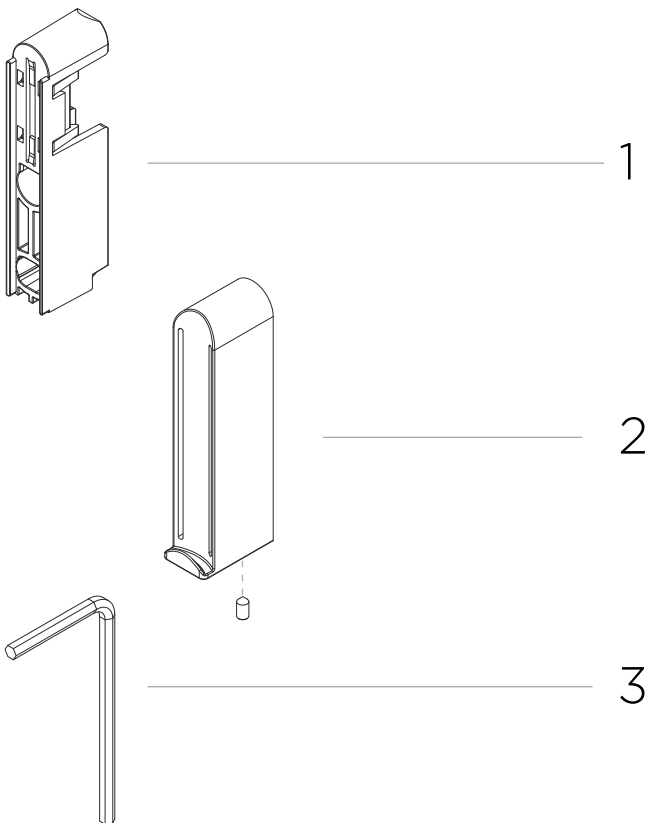


3. Use the set screw to lock it.



Installing the metallic hand shower holder

Component Overview



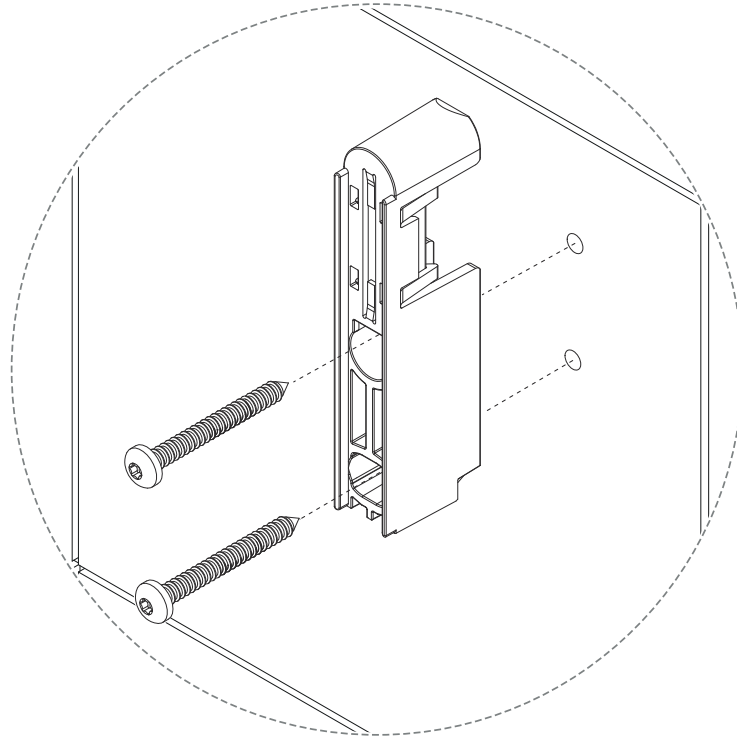
1. Hand shower holder
 2. Hand shower holder cover
 3. Hex tool 2mm
-

1. Install the hand shower holder.

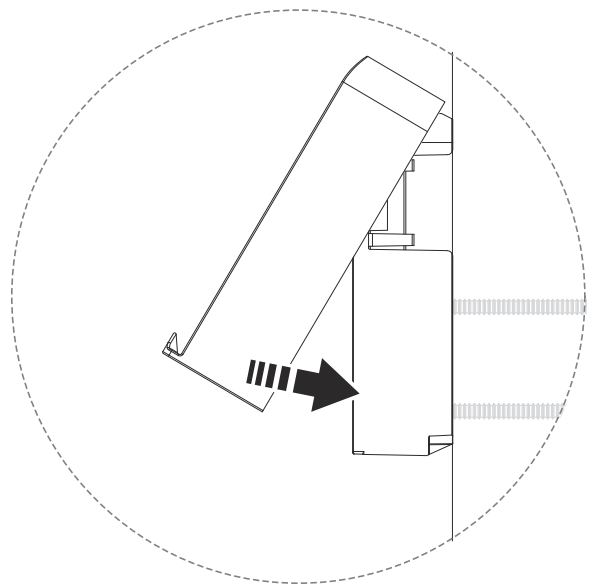
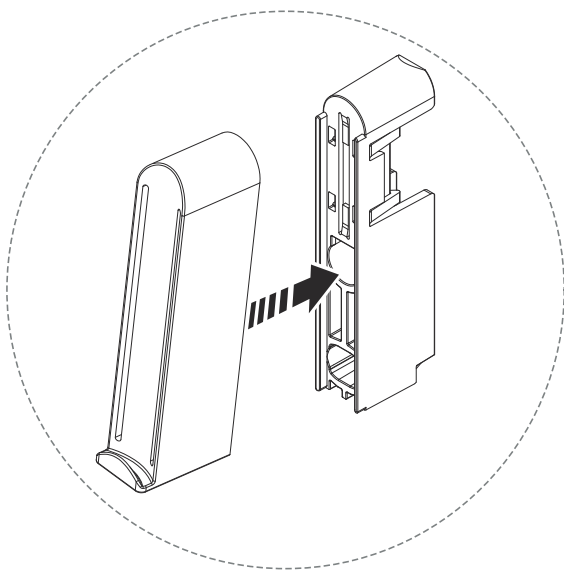


CAUTION

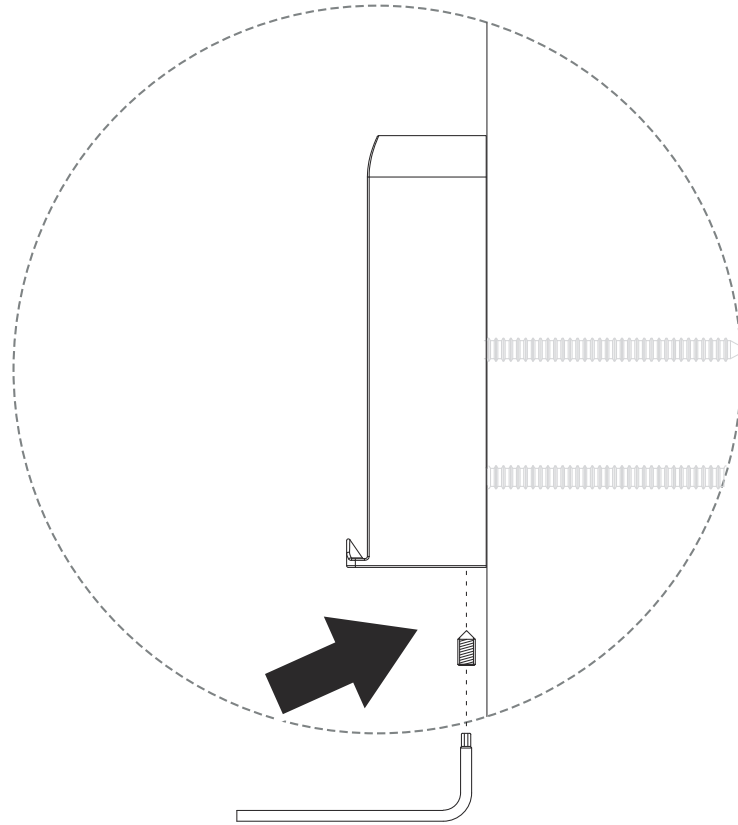
Be careful when tightening the screws to avoid deforming the holder



2. Push the hand shower cover into position.



3. Use the set screw to lock it.

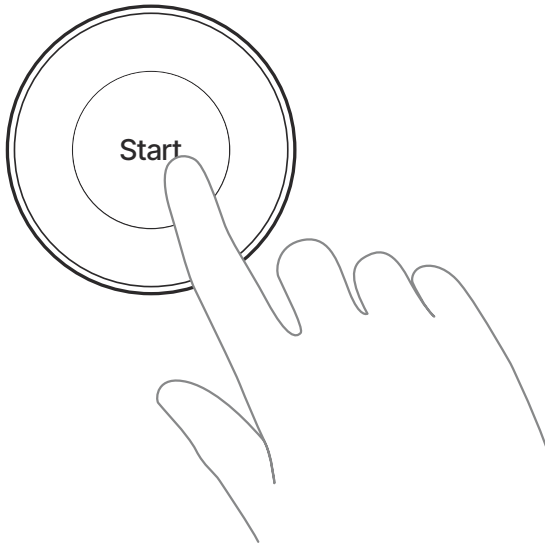


Verify the shower

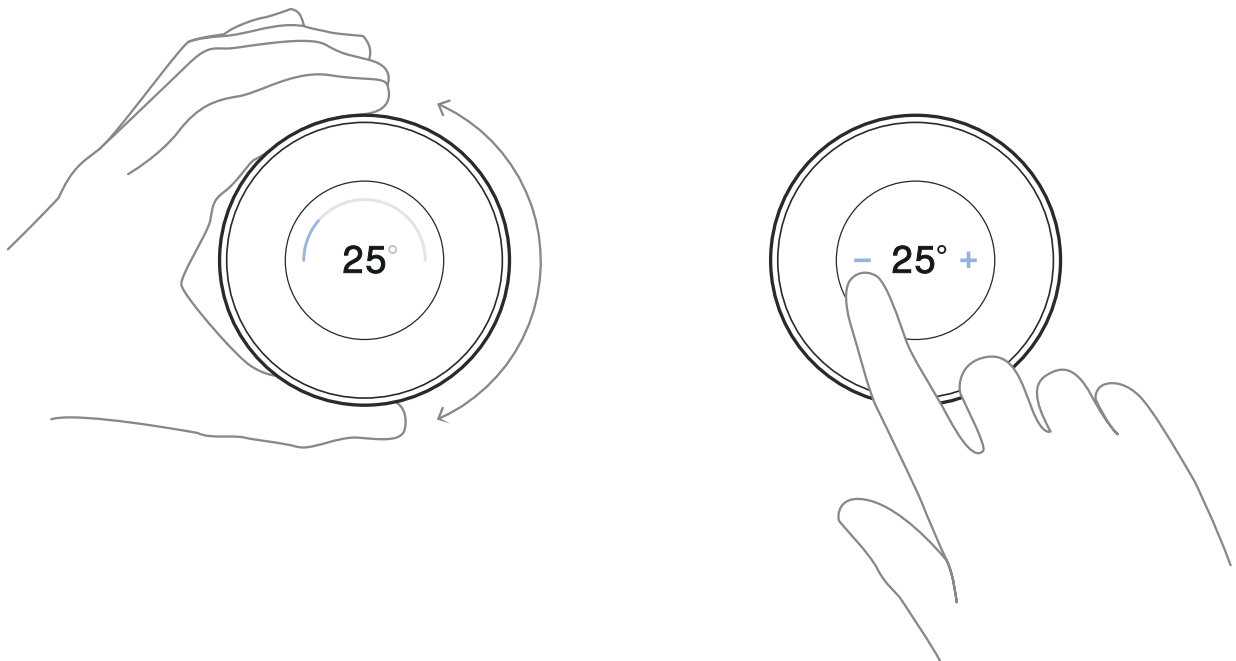
The final step is to start the shower to verify that it works as intended.

1. Turn on the power and water supply. It takes about 1 minute for the Core to start up.
-

2. Start the shower.



3. Set the temperature to 25 °C (turn the wheel or press the screen, depending on Control Dial version).



-
4. Let the shower run, and check that the recirculation starts within 5 minutes. This will be displayed on the Control Dial screen.



-
5. Inspect all water connection points carefully to ensure there are no leaks.

ORBITAL



CERTIFIED SPACE TECHNOLOGY