



Fixture installation

Orbital Shower Hatch R3 (OS8733-E)

5-06-0045

Publication date 2026-05-11

Copyright © 2026, Orbital Systems

All rights reserved. No part of this document may be reproduced or copied in any form or by any means without written permission from Orbital Systems. The English language version of this document contains the original instructions. All other language versions are translations of the original instructions.

Table of Contents

Thank you for your purchase	4
Prerequisites and Approvals	4
Approved Waterproofing Membrane	5
For installations outside of Sweden	5
For installations in Sweden	5
Warranty	6
Service	6
System Overview	7
Installation System Requirements	8
Installation Overview	9
Orbital Shower Installation Options	9
Orbital Shower Installation Requirements	10
Seal mountings in wet zone	11
Third-party shower head requirements	12
Prerequisites for optimal recycling	13
Audio Installation	14
Fixture Installation	15
Important installation steps	15
Component overview	16
Kit measurements	19
Recommended installation measurements	20
Installation scenario displayed in manual	21
Prepare shower area	22
Install drain	27
Install drainage pipe	31
Prepare for hand shower and diverter	33
Prepare Orbital Systems overhead shower	36
Install Audio	37
Open the Wall Box door	38
Install Wall Box	40
Pipes & connections	43
Prepare for tiling	53
Apply waterproofing membrane	55
Tiling	60

Thank you for your purchase

This manual applies to model OS8733-E

 Read the Safety Guide before starting the installation or before operating the shower.

Thank you for purchasing the Orbital Shower from Orbital Systems. To enjoy the full potential of the shower please read and follow the procedures in this manual. Make sure that you fully understand how to operate this shower and make sure that it is properly maintained in accordance with the instructions given in this manual. Do not discard this manual, keep it handy for future reference. This manual is valid for all shower models. When applicable, the manual will only display the Orbital Systems overhead shower & hand shower variant.

Prerequisites and Approvals

Orbital Shower is CE-marked based on certificate and test reports from third party labs.

The parts included in the installation of the system meets the Swedish industry rules for waterproofing. Installation in Sweden must be carried out in accordance with industry regulations Branschregler; Säker Vatteninstallation and Byggkeramikrådets branschregler för våtrum. The Orbital Shower installation instruction is accepted by the organisation Säker Vatten.

Core R3 meets the Swedish industry requirements regarding back flow according to SS-EN 1717 without the need for additional products or measures. This also applies in cases where the shower unit is mounted within the distance of the water mirror on the toilet or bidet.



Accepterad
monteringsanvisning
2021:1

Approved Waterproofing Membrane

For installations outside of Sweden

The following chapter describes a general waterproofing membrane procedure for installing Orbital Shower in a wet-room area. Industry standards for how to apply waterproofing membrane in wet-room areas shall be applied.

For installations in Sweden

Following waterproofing membranes are approved according to Swedish regulations. Choose one of the following and go to <https://cert.ri.se/sv/products/C900374> for separate instructions of how to apply your chosen waterproofing membrane.



The following sealing layers for the Wallbox and floor luminaire are industry approved according to Säker Vatten industry standards (<https://www.sakervatten.se/branschreglerna>):

- Adda system F
- Ardex Tricom /A7+A8
- Bostik Pro
- Bostik Universal
- Casco Folie
- Centro CE TM#F System
- Ecodur foliesystem
- FF Kakel foliesystem
- GKH F-System
- KERABLOCK TEX 750
- Kerasafe+
- LIP Foliesystem 27
- Mapeguard WP 90, WP 200
- Midun foliesystem
- Mira Vapourmat
- PCI VG2014 Foliesystem
- Schönnox WSF
- Sense Pro system F
- Sopro AEB 815
- Weber TEC Foliesystem
- ZebraSystem F1

Warranty

For Warranty and Liability for Defects information, please visit Orbital Systems web <https://orbital-systems.com>.



Service

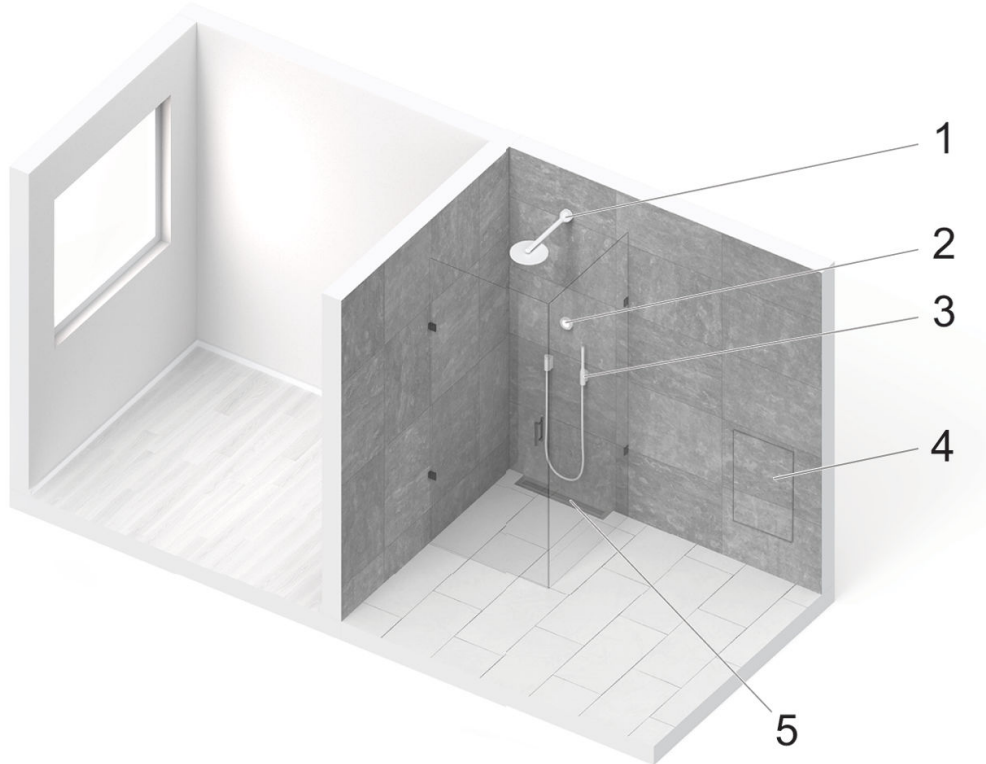
Orbital Systems and our team of expert staff are available to assist you if you require product advice, experience any problems, need to purchase spare parts or to set up a service appointment.

Contact us

- support@orbital-systems.com
- www.orbital-systems.com

System Overview

Orbital Shower Hatch R3 (OS8733-E)



1. Overhead shower
2. Control Dial
3. Hand shower kit (hand shower, diverter and holder)
4. Orbital Shower Core (RSK 835 91 20) and Wall Box (RSK 829 64 37), located inside or outside of the shower area
5. Drain unit (RSK 711 54 63) and outlet unit (RSK 711 99 33)

Preparation and installation of the shower area (including piping, connections, water proofing and tiling), installation of Wall Box (4) and drain (5) are included in the Fixture installation manual.

Installation of the Orbital Shower Core (4), Control Dial (2), overhead shower(1) and hand shower kit (3) are included in the Technology installation manual. Operation of the shower is included in the User Guide.

Installation System Requirements

Connectivity

Internet connection: Password protected Wi-Fi 2,4 GHz / 5 GHz or Ethernet.

Electrical Supply

Residual circuit breaker: One breaker per Orbital Shower Core

Power supply: One Phase, 230VAC / 50-60 Hz / 16A *

Mains supply wire: Min. 2.5 mm² (rated for 16A circuit)

Plumbing / Water

Incoming tap water supply connections: Separate hot and cold, 2x female G 1/2" swivel nut.

Incoming cold water temp. (min-max): 4-25°C

Incoming hot water temp. (min-max): 50-65°C

Maximum working pressure tap water: PN10

Incoming water pressure (min-max): 2-10 bar

The supply pressure is the fundamental requirement for the shower flow:

- 2 bar: 7.5 litres/min
- 3 bar: 9.5 litres/min
- 4 bar: 11 litres/min

Recommended water supply flow: 9 litres/minute per inlet hot and cold

Water hardness (min-max): 3°dH-14°dH, or a total hardness of 53-250 mg CaCO₃/litres

Water iron content: <0,3mg/litre

** Using a lower fuse results in lower water flow:*

10A = 6 litres/min

13A = 8 litres/min

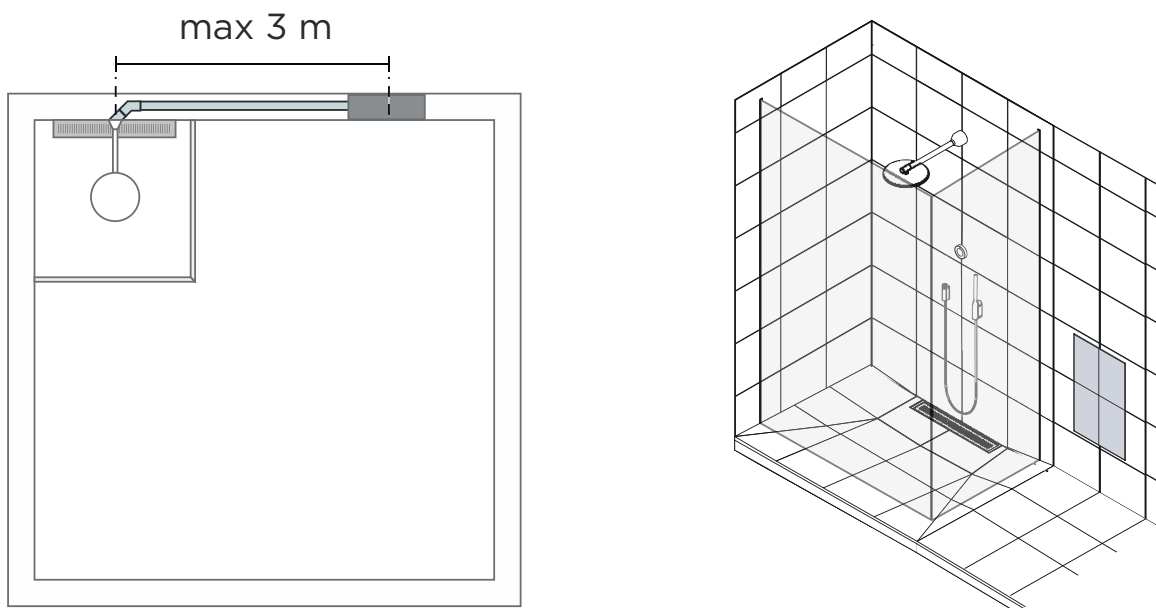
16A = 12 litres/min

Installation Overview

Orbital Shower Installation Options

Orbital Hatch can be installed in the bathroom (inside or outside of the shower area), or in an adjacent room. The distance between the center of the Orbital Shower Core and the center of the drain unit can be a maximum of 3000 mm.

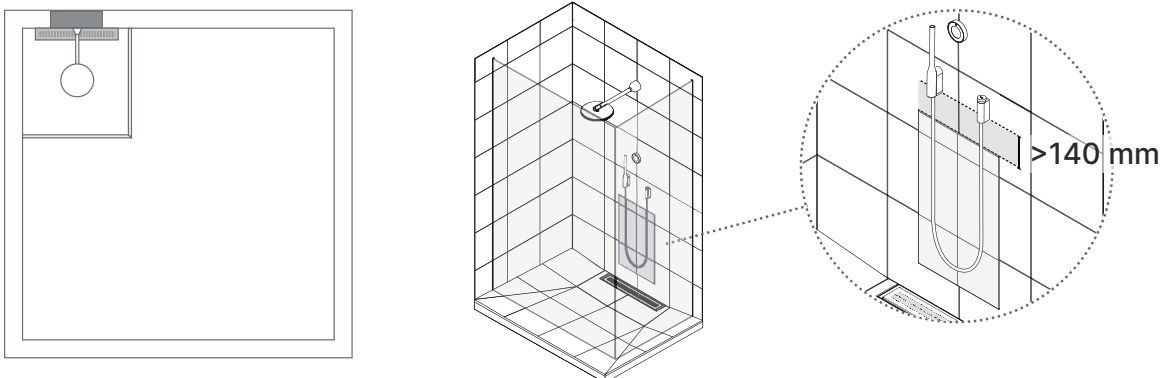
Any bends in the drain piping between the Orbital Shower Core and the drain unit must be achieved using 45° angles. For example, to achieve a 90° bend, two 45° bends need to be used. When installing the Orbital Shower, no more than six 45° bends (a maximum of three 90° bends) can be used in total. These limitations apply to both horizontal and vertical bends.



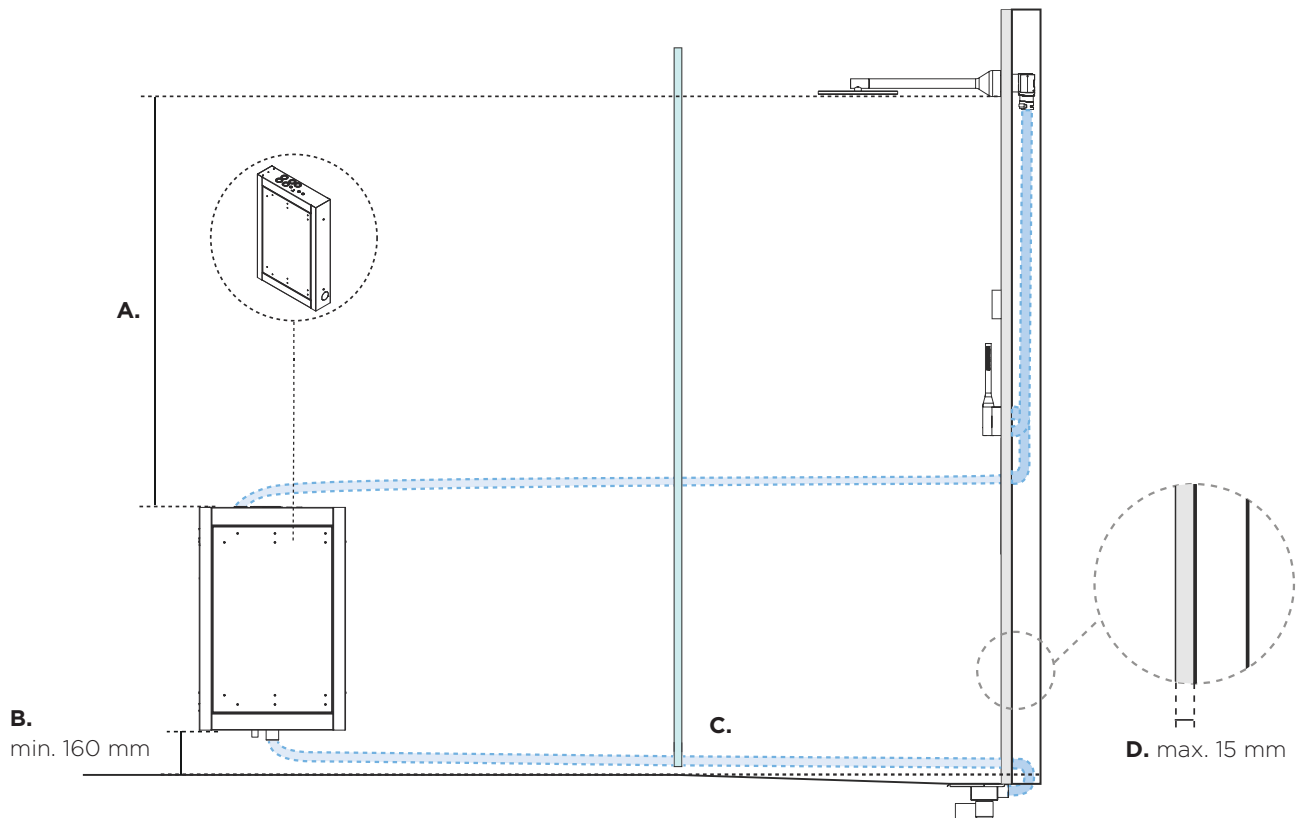
NOTE

When installing the Core directly underneath the Diverter and Hand shower:

- The distance from the top of the door to the bottom of the diverter must be a minimum of 140 mm, to make sure the door can be opened.
- We recommend placing the diverter to the right of the hand shower holder to ensure sufficient space for connections to the Core.



Orbital Shower Installation Requirements



The following constraints apply to the configuration of system components:

- A.** The top of the Wall Box must be placed lower than the bottom of the head shower.
- B.** The Wall Box must be positioned a minimum of 160 mm above the finished floor level.
- C.** The piping between the Orbital Shower Core and the drain unit must be installed with a continuous slope towards the drain unit along its entire length. The maximum distance is 3000 mm.
- D.** The total thickness of wall surface materials must not exceed 15 mm (e.g. 10 mm tile + 5 mm tile adhesive).*

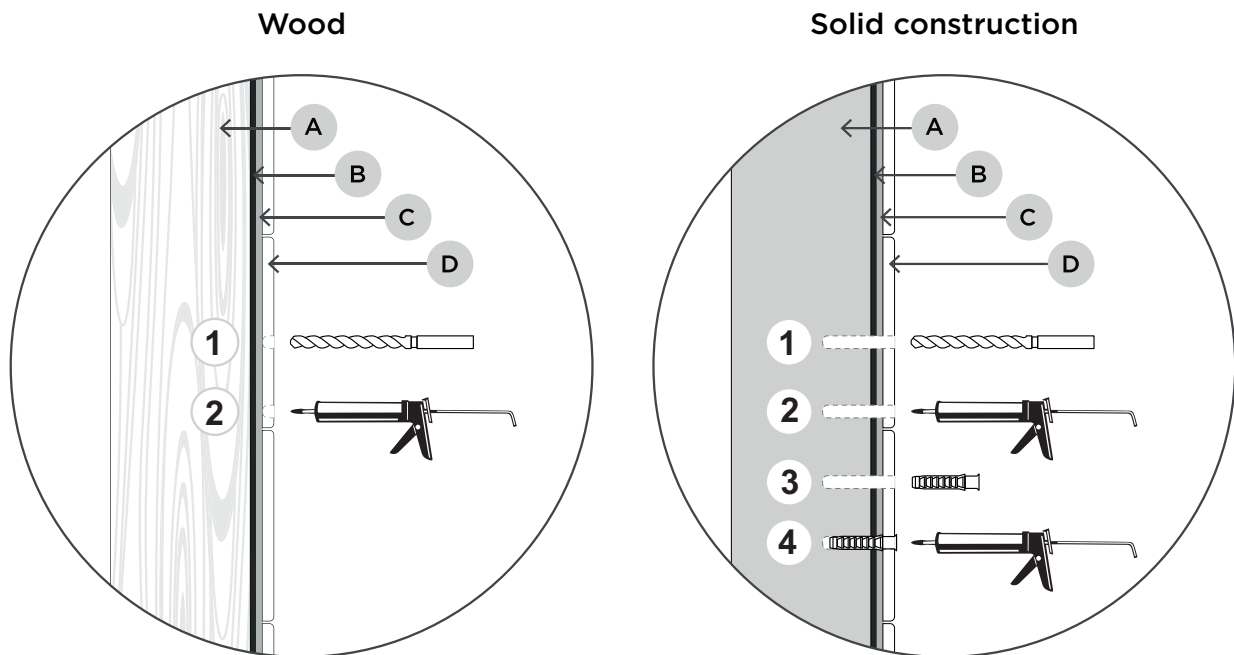
Seal mountings in wet zone

Seal the drill holes in accordance with applicable industry standards.



CAUTION

Installations in Sweden must be carried out in accordance with the current Industry Rules Safe Water Installation. All mountings in the wet zone must be sealed against the waterproofing layer of the wall or floor. Material for sealing must adhere to the substrate and be water-resistant, mold-resistant and aging-resistant.



- **A:** Wood / Concrete
- **B:** Waterproofing membrane
- **C:** Tile adhesive
- **D:** Tile

Third-party shower head requirements

The following requirements are applicable when choosing third-party overhead showers and/or hand showers. Contact Orbital Support for more detailed information.

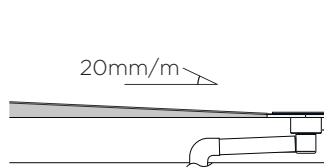
- They shall not have any flow restrictors.
- They should have as low back pressure as possible. Too much back pressure will result in weaker shower water flow, shorter filter lifespan and a higher pump sound.
- Preferably the shower heads and diverter individually have less than 1 bar back pressure at 12 litres/min water flow, and less than 0.7 bars at 10 litres/min.
- Orbital Systems recommends using diverters designed for wall integration that don't close the water path when switching between outlets. In other words, if the shower is running and the diverter is positioned between the two outlets, the water should still pour out of both of those outlets.

Prerequisites for optimal recycling

The preparation of the shower area is **crucial** for efficient water recirculation. The following three key factors allow the shower to reach its full potential and maximize the water savings:

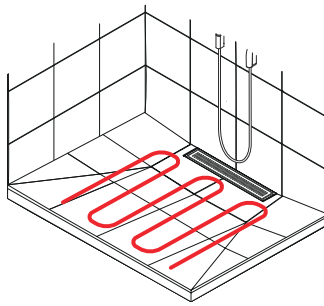
Floor inclination

A proper inclination is crucial to ensuring the water flows efficiently toward the drain. We recommend creating a slope of 20 mm/m.



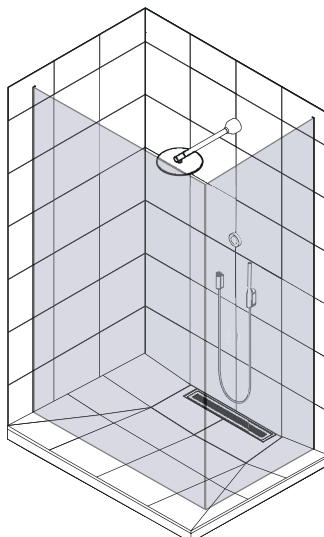
Underfloor heating

Underfloor heating in the shower area helps reduce heat loss from the shower water. Place the heating as close to the floor fixture as possible.



A fully enclosed shower area

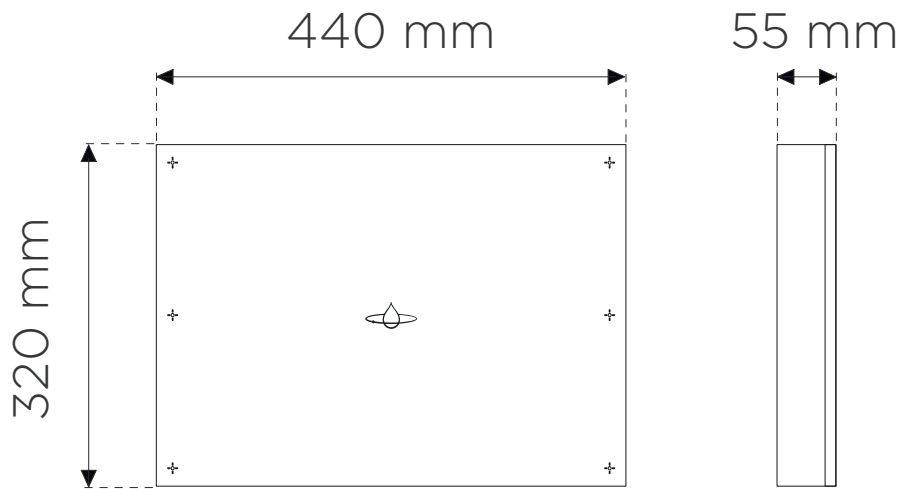
By creating a closed shower zone, heat losses are significantly minimized. It is essential to ensure that shower walls and doors go all the way down to the floor.



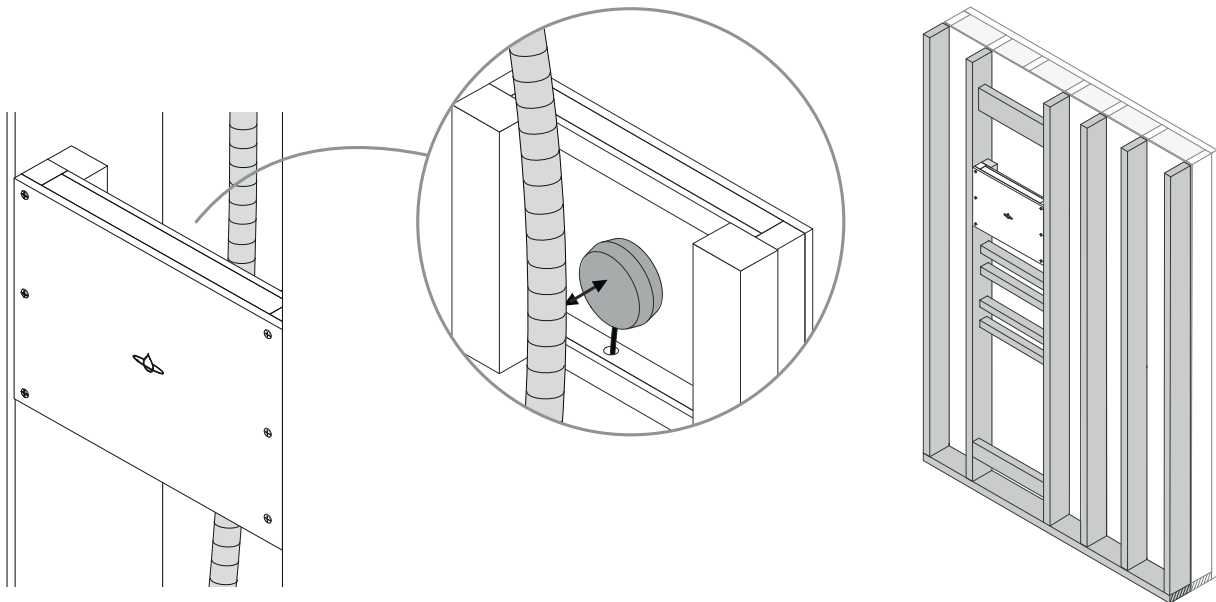
Audio Installation

This information is relevant only for installations with Orbital Audio, which is an optional add-on product.

Installation Measurements



- **Make sure that there is clear space around the exciter and that it is not touching any hoses installed behind the Audio Fixture.**
- To optimize the sound experience and reduce the risk of sound spreading to an adjacent room, we recommend building a new inner wall in the shower area.



Fixture Installation

Important installation steps

Read the following instructions carefully. The number is used as a reference in the installation steps where the instruction is applicable.



1

For installation in Sweden, carry out the installation according to the current industry regulations Säker Vatten:

- The drainage pipe must end in a wet zone area, including a moisture barrier and a floor drain, but cannot end inside the shower space. The inside diameter of the leakage indicator must be at least 20 mm. The outlet must not be placed closer than 60 mm from the waterproofing layer of the floor or adjacent wall.
- The drainage pipe must be installed with an inclination from the Wall Box down towards the floor.
- The sleeve must not be deformed. Deformation can cause water leakage.
- The line from the indication of leakage must be cleaned so that leaking water is not prevented from flowing out.



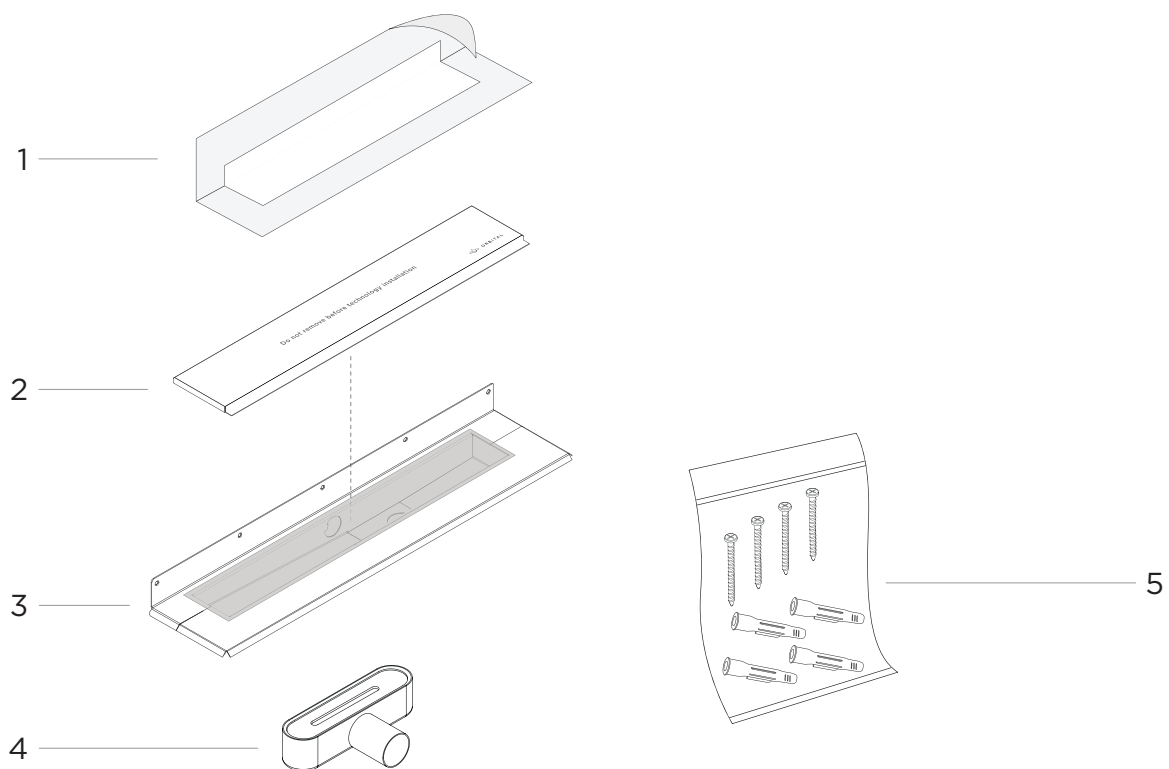
2

For installation in Sweden, carry out the installation according to the current industry regulations Säker Vatten:

- A waste water pipeline shall be laid with falls along the entire length of the pipeline.
- Wastewater pipes must be installed with regard to the movements that can be expected during the construction period and during operation. Fasteners for cables must be mounted and placed according to the supplier's installation instructions. A fastening device must be placed no more than 200 mm from the floor drain.
- On pipes that are to be cast in, fastening devices are placed according to the supplier's installation instructions, alternatively at all branch pipes, sockets, bends, deposits and on straight sections to a sufficient extent to prevent the pipe's position from changing.

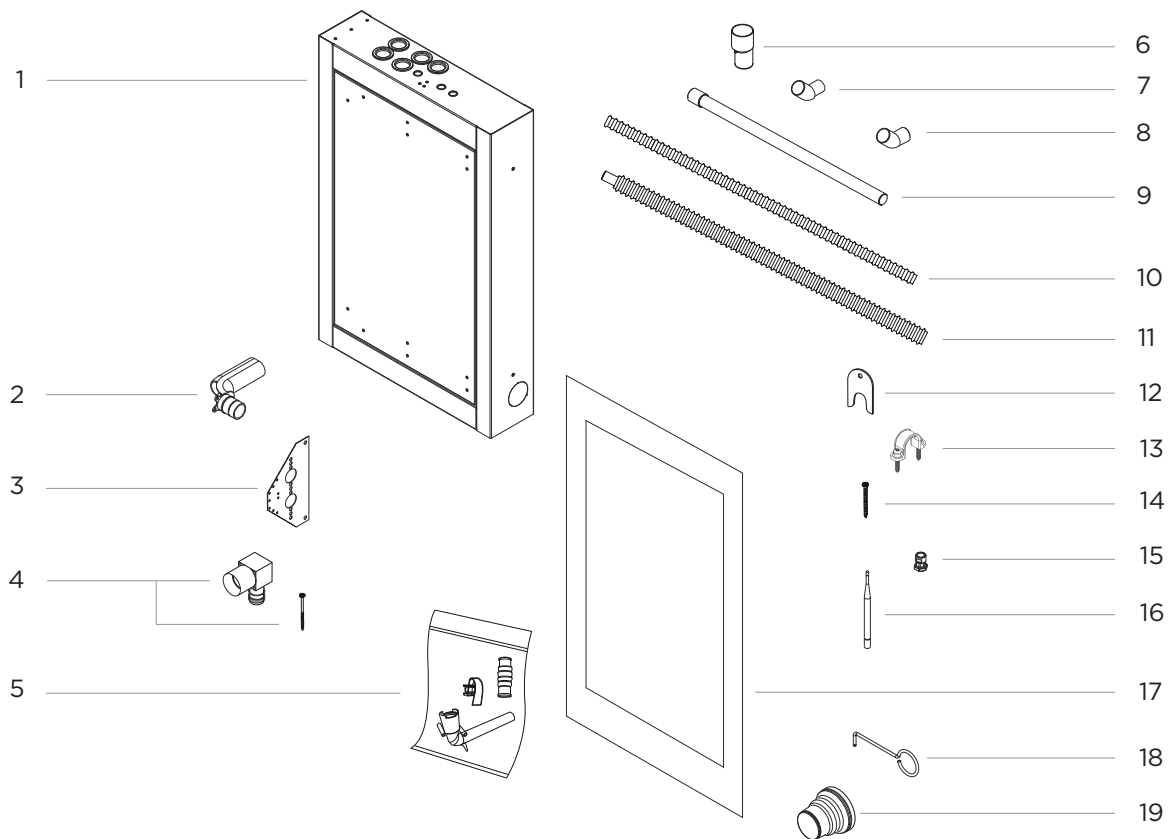
Component overview

Fixture kit - Floor fixtures



1. Drain waterproofing membrane
2. Tiling frame set
3. Drain unit (RSK 711 54 63)
4. Outlet unit (RSK 711 99 33)
5. Screw and plug kit

Fixture kit - Wall fixtures



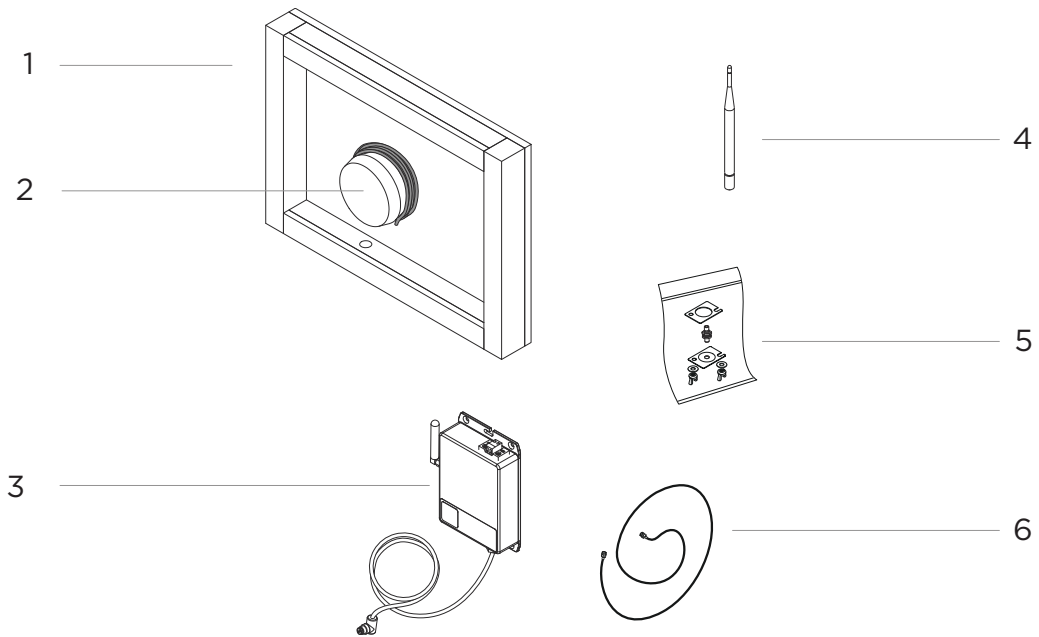
1. Wall Box (RSK 829 64 37)
2. Conduit elbow (RSK 187 79 99 / 188 27 00), 3x
3. Conduit elbow fixture, 2x
4. Wallbox UNI Push V2 (RSK 188 21 81 / 188 26 57), 1x & screws, 4x
5. LK Drainage bend V2 complete (RSK 188 26 11)
6. Reducer 50-40 mm (RSK 291 03 56)
7. Fitting, 40 mm x45°, M-F (RSK 291 03 41), 2x
8. Bend, 50 mm x 45°, M-F (RSK 283 20 31), 6x
9. Pipe 50mm, 100 cm AS+ with sleeve, 3x (RSK 283 20 03)
10. Conduit for the Control Dial and leakage indicator (RSK 187 06 65) 350 cm, 2x
11. Piping, PEX hose with conduit (RSK 188 23 36), 550 cm
12. Conduit retainer (RSK 188 21 50), 10x
13. Pipe clamps, 2x
14. Screws, 8x
15. Wall Box ethernet pipe connector
16. Wi-Fi antenna
17. Waterproofing membrane
18. Hook
19. Pipe penetration seal (RSK 188 27 27)

Provided by Customer:

- Waterproofing conduit membrane for the diverter
- Waterproofing conduit membrane for the overhead shower

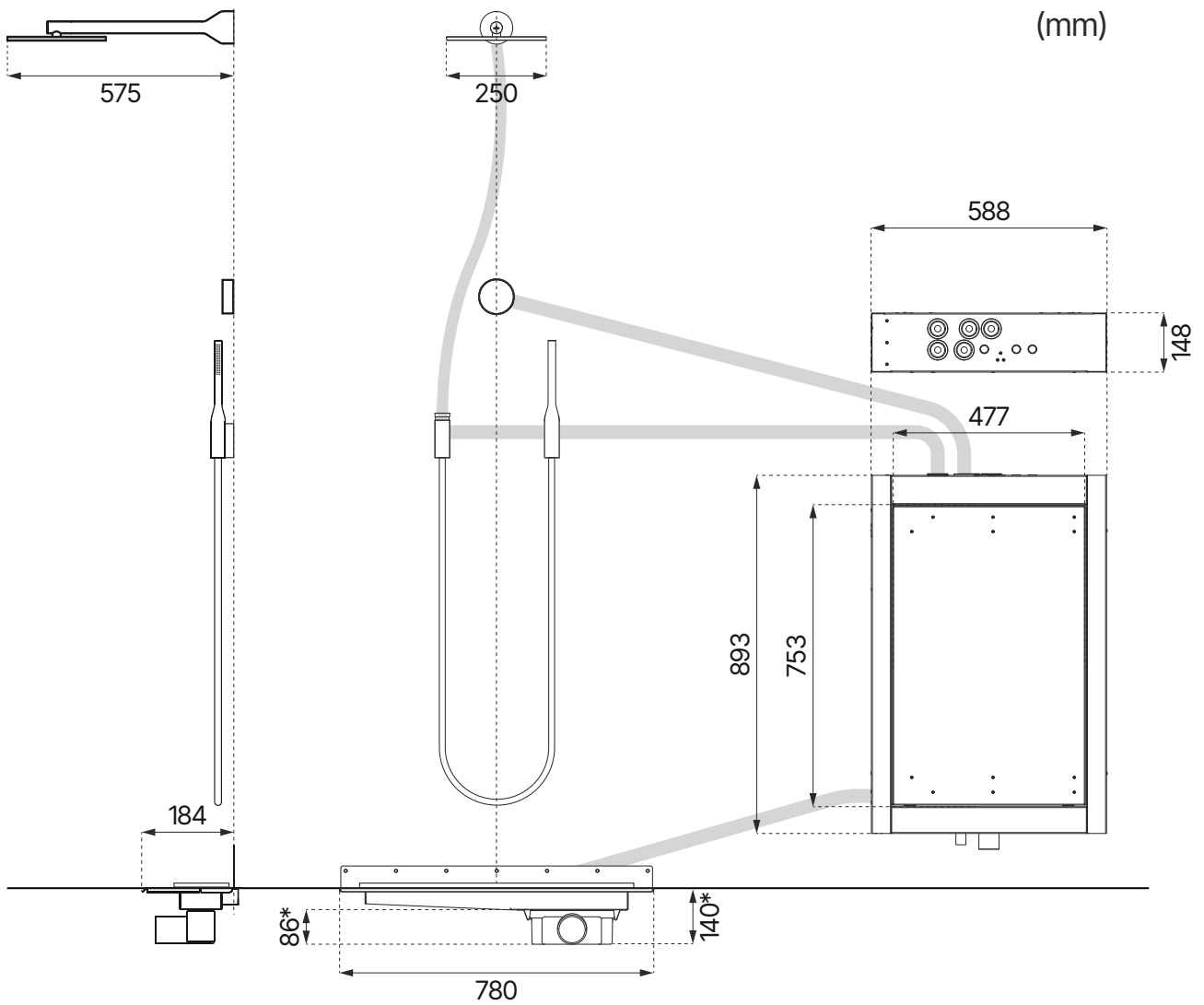
- Waterproofing conduit membrane for the Control Dial

Audio kit



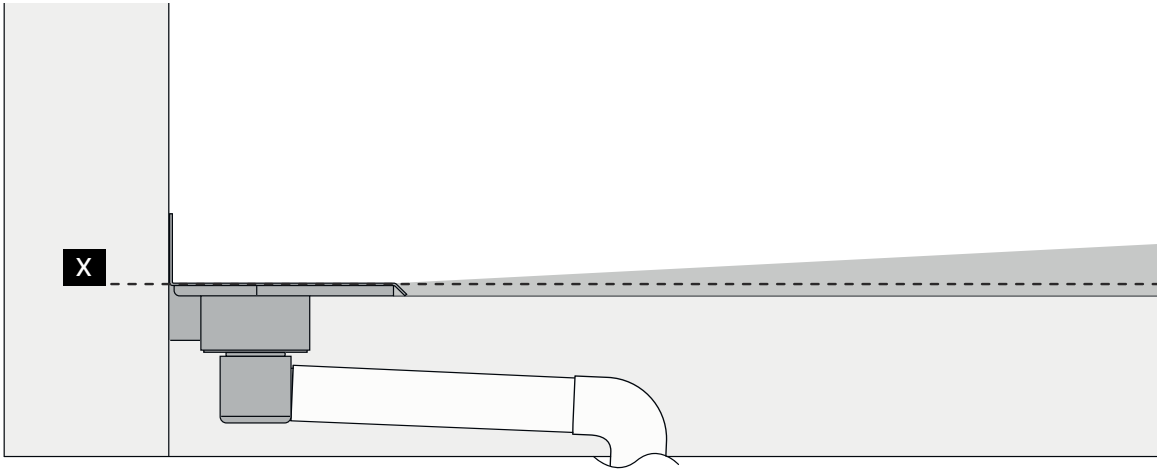
1. Audio Fixture
2. Speaker with speaker cable
3. Amplifier with amplifier cable and stub antenna
4. Rod antenna (only used for *Orbital Shower Hatch*)
5. Assembly kit to the rod antenna
6. Cable to the rod antenna

Kit measurements

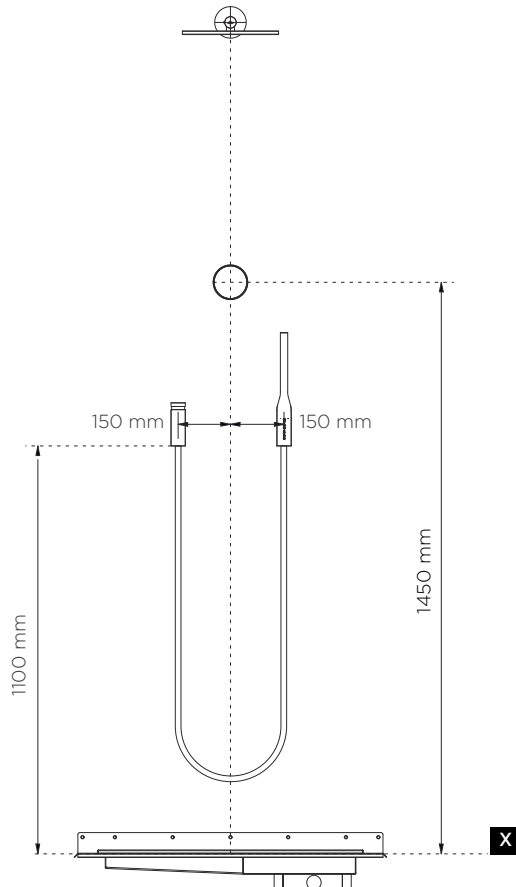


*The included water trap has a height of 86 mm, but several interchangeable options are available, with heights starting from 52 mm. Options with different outlet sizes and directions are also available.

Recommended installation measurements



Measurement **X** refers to the floor level where the waterproofing is connected to the floor drain flange. This mark will be used as the reference point in the shower area for other measurements in the installation.



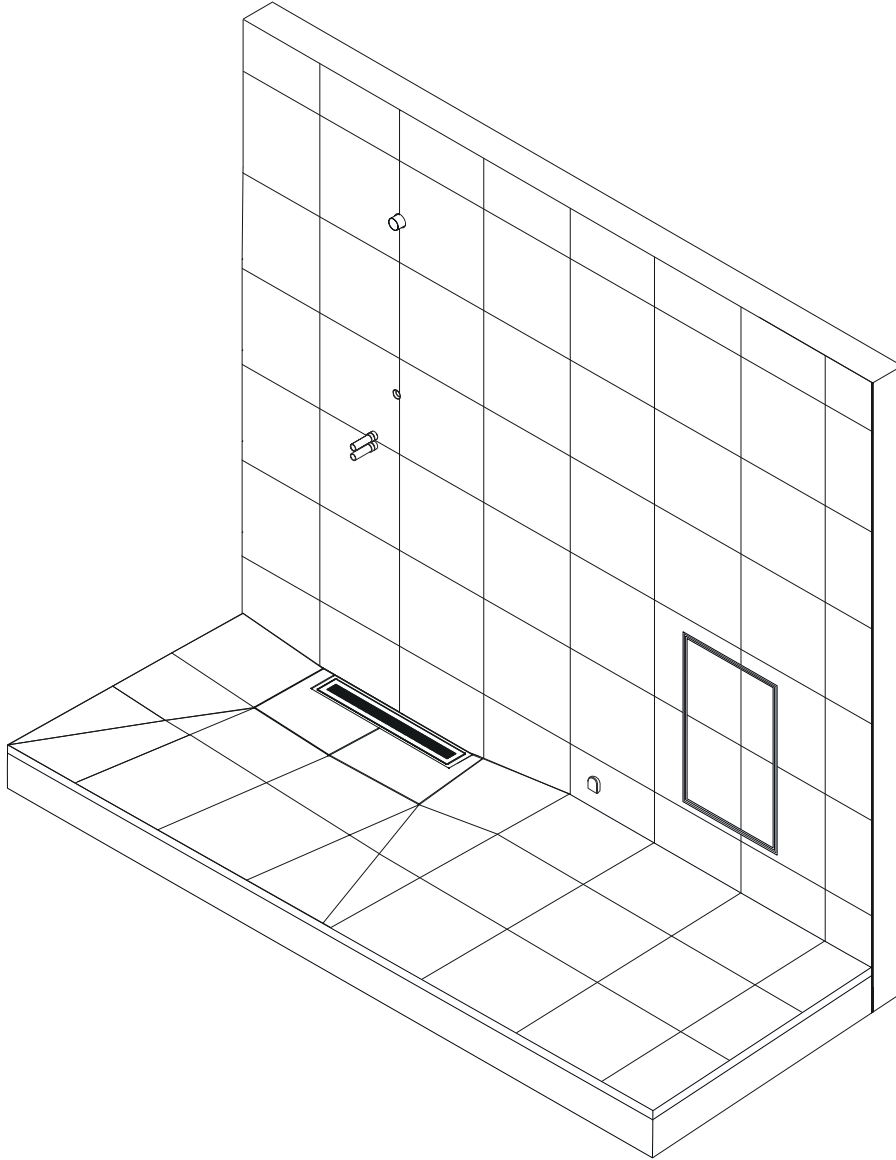
IMPORTANT

- Incoming tap water can only be drawn in from the top.
- Leakage indicator must be mounted at least 60 mm from the floor or wall.

Installation scenario displayed in manual

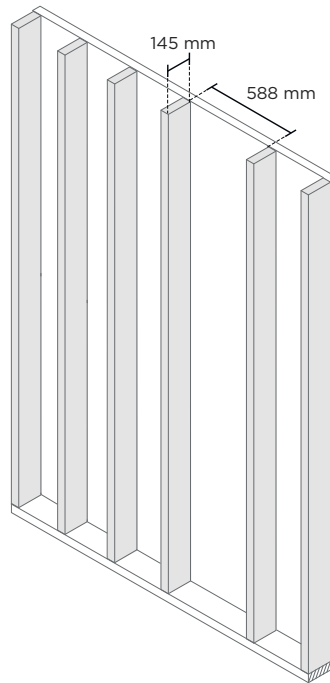
Adjust lengths and bends on hoses and cables depending on the installation scenario.

See section [Orbital Shower Installation Options \[9\]](#) and [Orbital Shower Installation Requirements \[10\]](#) in the chapter [Installation Overview \[9\]](#) for requirements on maximum lengths and maximum number of conduit bends.

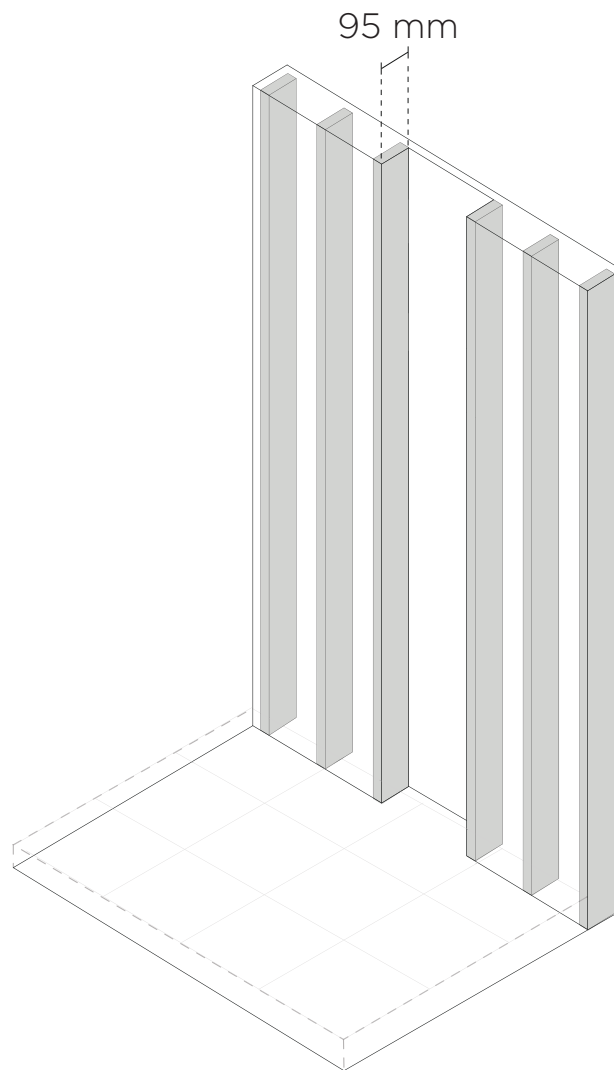


Prepare shower area

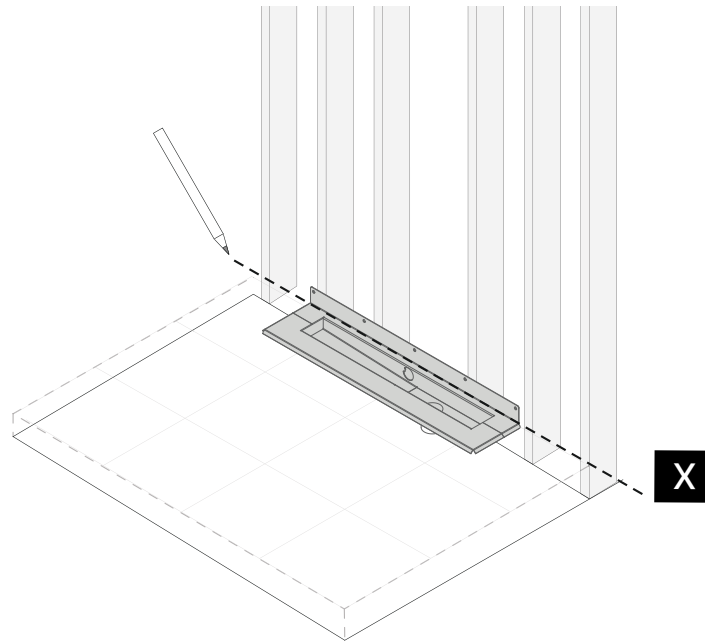
1. Frame the wall where the Wall Box will be installed.
Make sure the Wall Box will fit inside the wall. See chapter [Kit measurements \[19\]](#) for correct measurements.



-
2. Frame the wall in the shower area. If the Wall box is not placed in the the shower area, 95mm studs can be used.



3. Mark the floor level where the waterproofing will be connected to the drain unit flange. This mark will be used as measurement "X" in the installation process to ensure that there is enough space for the drain unit.

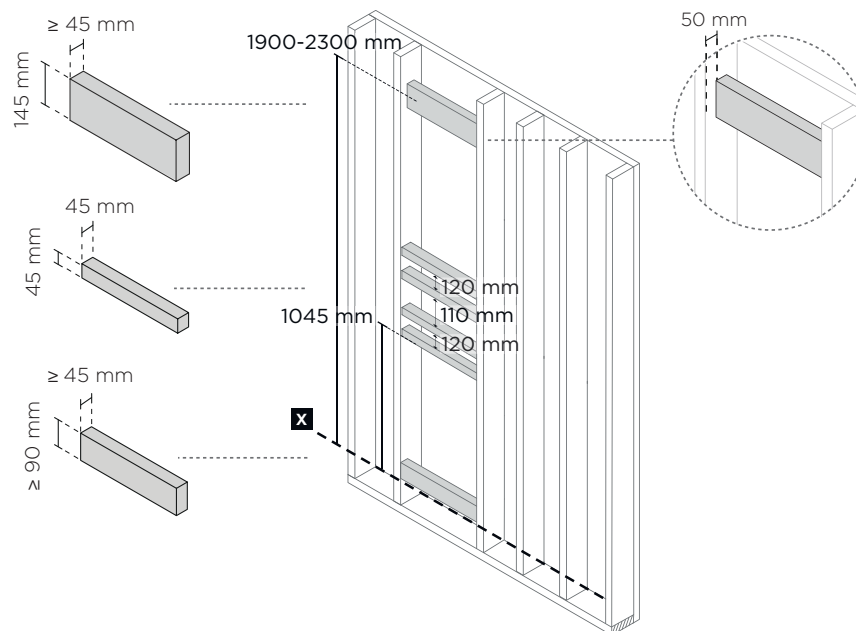


4. Install nogginns.



CAUTION

It is crucial that all nogginns are level and set according to recommended measurements to avoid misalignment in the shower installation.

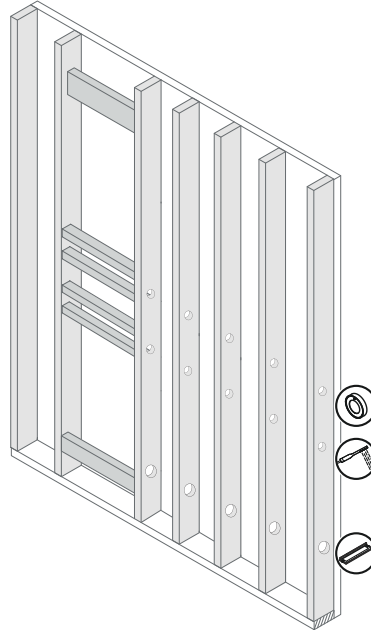


5. Drill holes in the studs in between the shower area and the place where the Core will be installed.



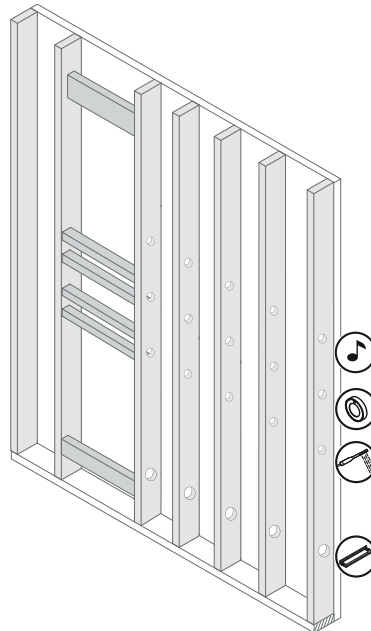
NOTICE

Adjust slot in studs and wall covering depending on hand shower and Control Dial placement.

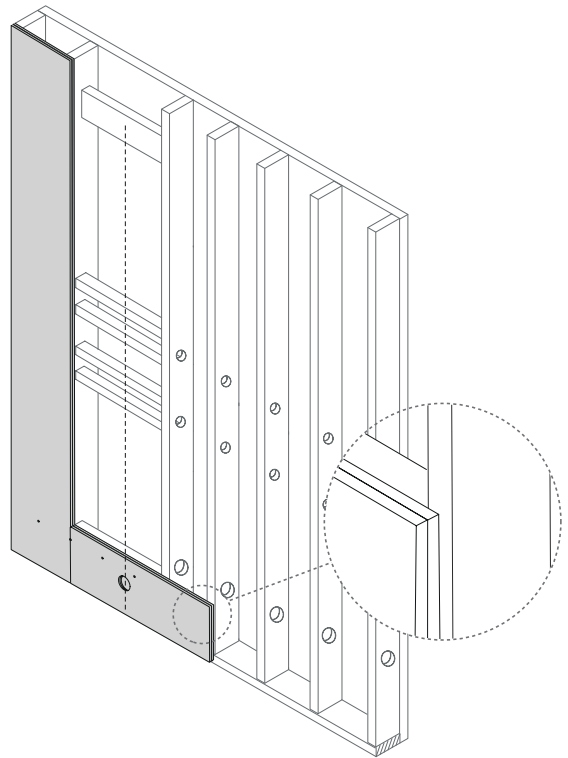
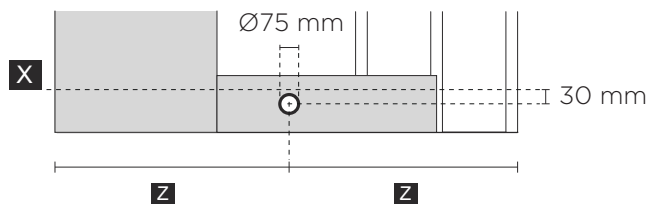


Only valid for Orbital Audio installation

Drill additional holes for the speaker cable.



6. Apply wall covering according to the illustration. Follow applicable industry standards.

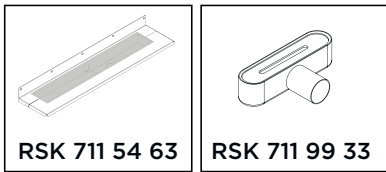


X The floor level where the waterproofing is connected to the floor drain flange.

Z The hole is centered in the shower area.

Install drain

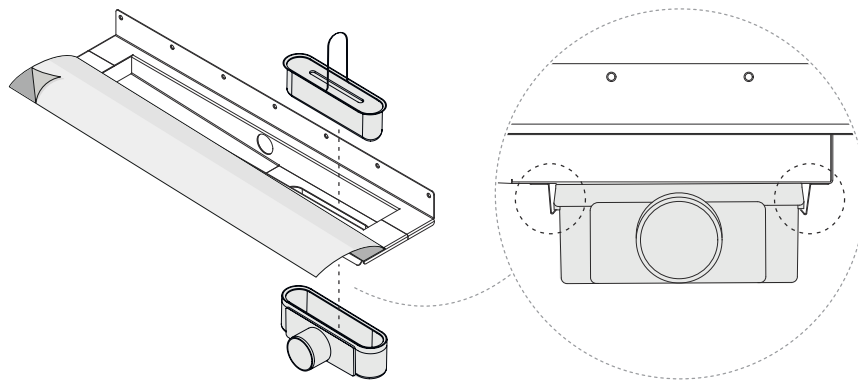
Drain unit and outlet unit



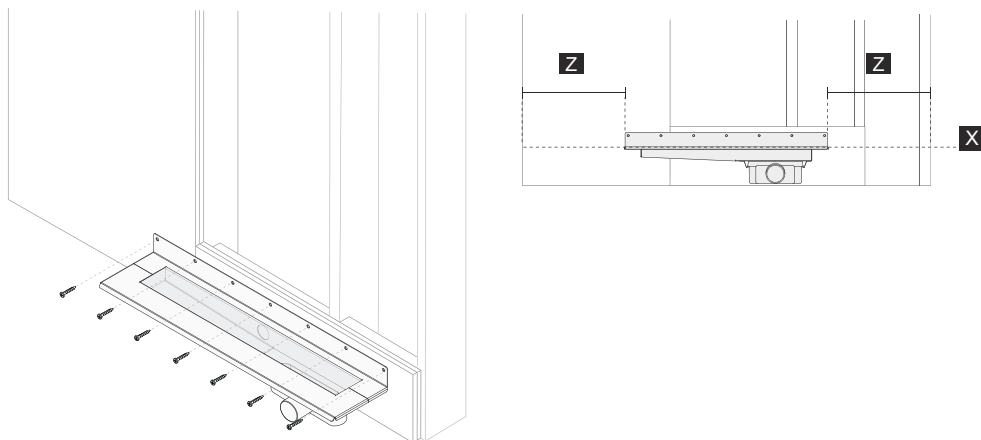
CAUTION

- Plumbing and electrical installation should be performed according to industry rules.
- Do not remove the protective cover until the frame is being installed in a later step.

1. Secure the outlet unit in place using the two hooks at the bottom of the drain. Insert the water trap, and then fold the protective film back to cover the drain unit.



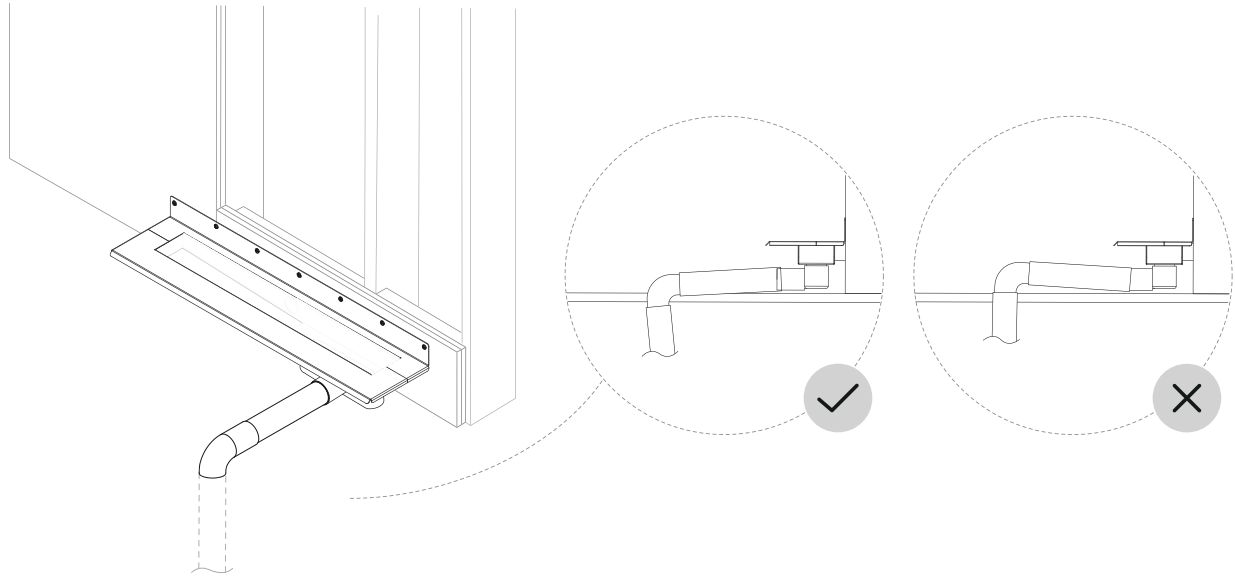
2. Use all supplied screws (7) to fasten the drain unit to the wall.



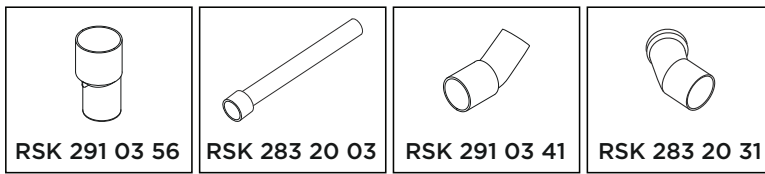
X The floor level where the waterproofing is connected to the floor drain flange.

Z Drain unit is centered in the shower area.

3. Connect the drain unit to the sewerage system as defined by industry rules.



Drain piping



Provided by Customer:

- Pipe anchors



2

Perform the installation in accordance with current Industry Rules Säker Vatten Installation. See bulleted list **2** in chapter [Important installation steps \[15\]](#).



NOTICE

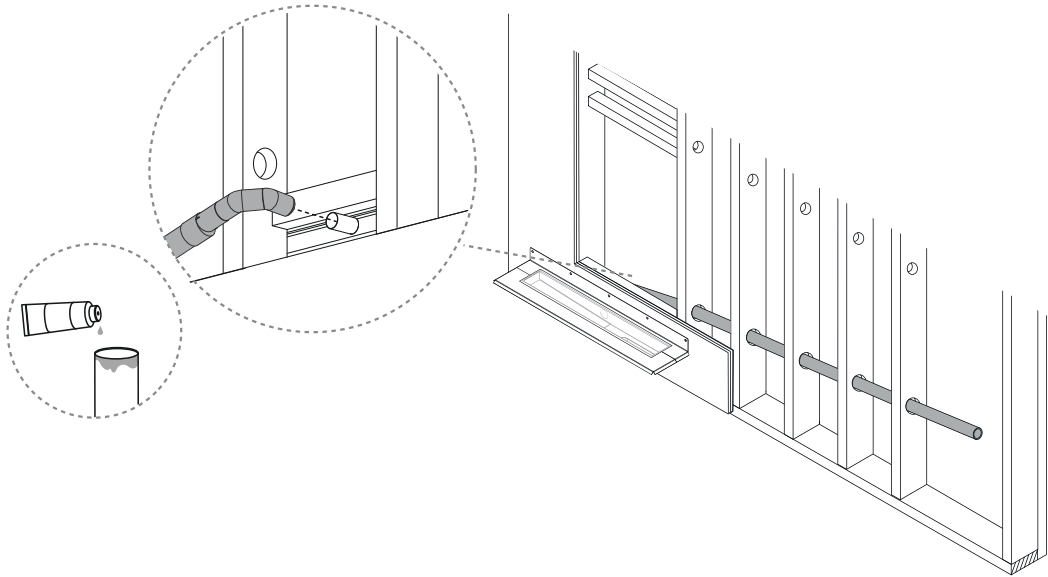
Use the two 45 degree pipe elbows included in the kit for the drain unit. A 90 degree elbow will not be applicable.

1. Attach the drain pipe to the back of the drain unit.



NOTE

Apply silicone based lubricant when assembling.

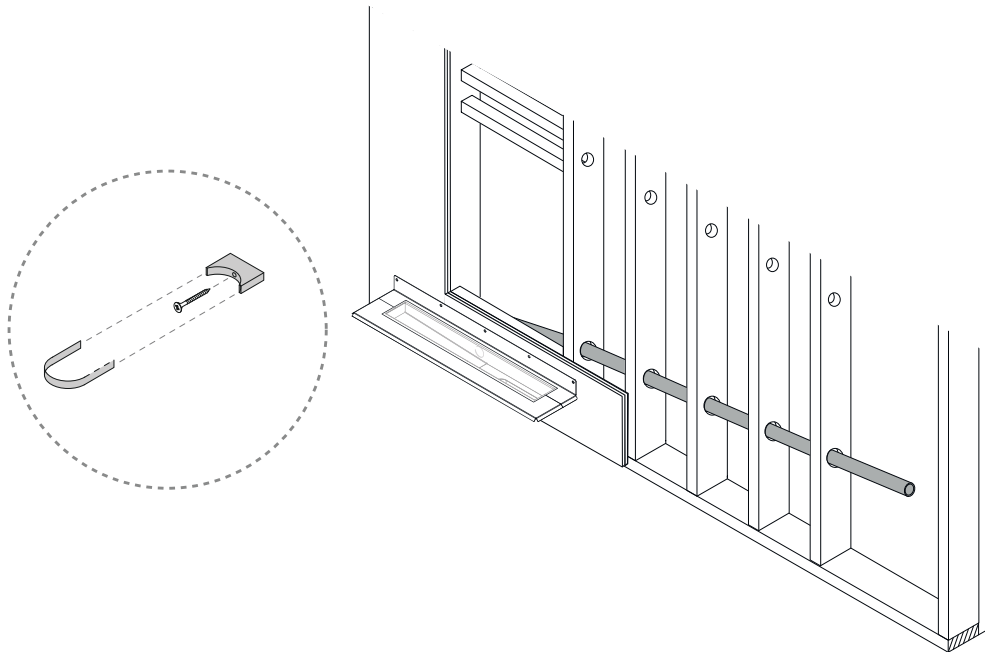


2. Anchor the pipes and fittings according to industry rules.



CAUTION

Make sure to fasten and anchor the pipes and fittings so they cannot move or be separated.

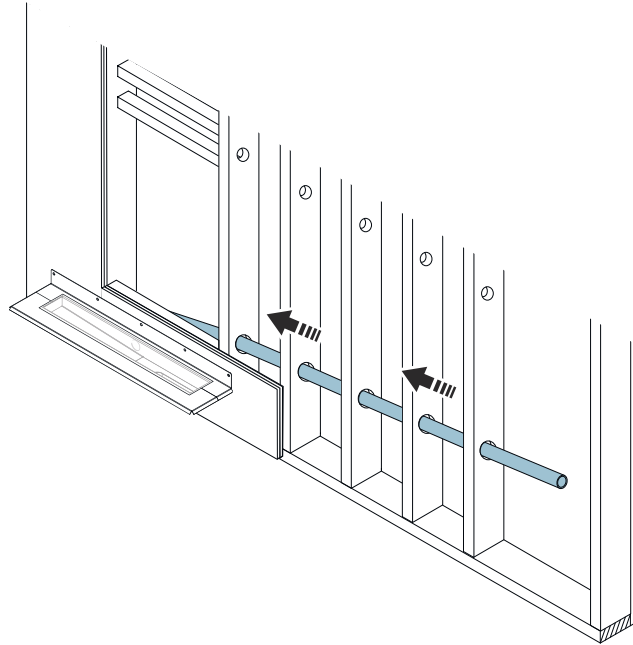


3. Perform a leakage check to eliminate leakage.



CAUTION

For installations in Sweden leakage test shall be performed. The drain must be sample flushed and inspected visually to ensure that the assembly is tight. The leakage test shall be documented.



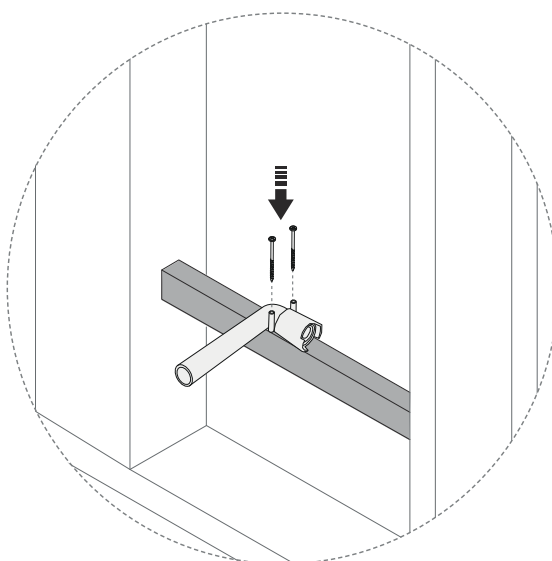
Install drainage pipe



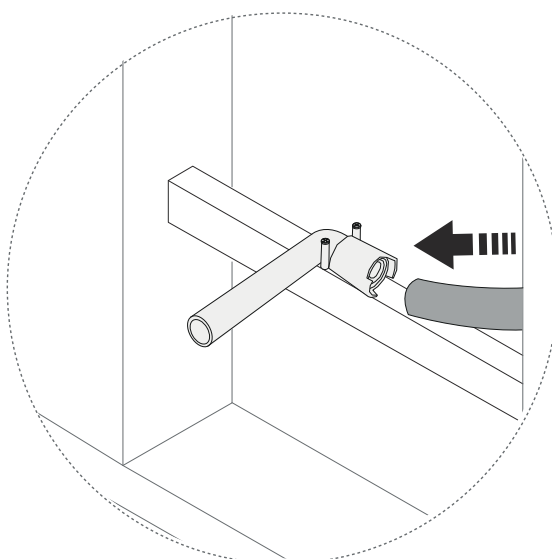
1

Perform the installation in accordance with current Industry Rules Säker Vatten Installation. See bulleted list **1** in chapter [Important installation steps \[15\]](#).

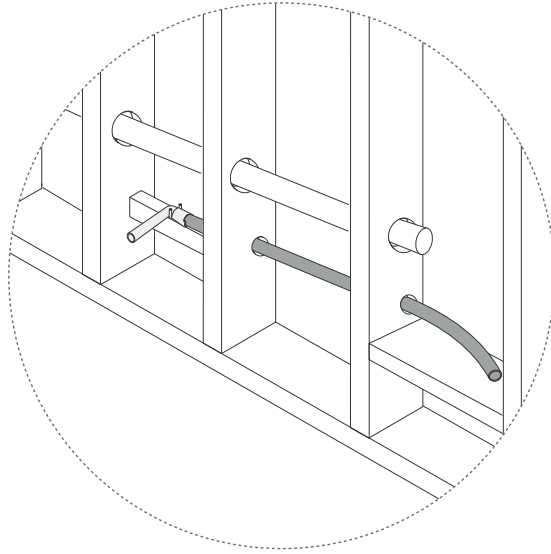
1. Secure the drain pipe bend with screws. To ensure proper drainage, position the bend so the drain pipe slopes continuously downward from the wall box to the bend.



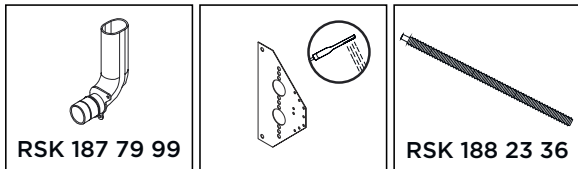
2. Connect the drainage pipe bend to the pipe. The pipe should bottom in the drainage pipe bend, approximately 20 mm deep.



3. Draw the pipe to the position where the Wall box will be installed.

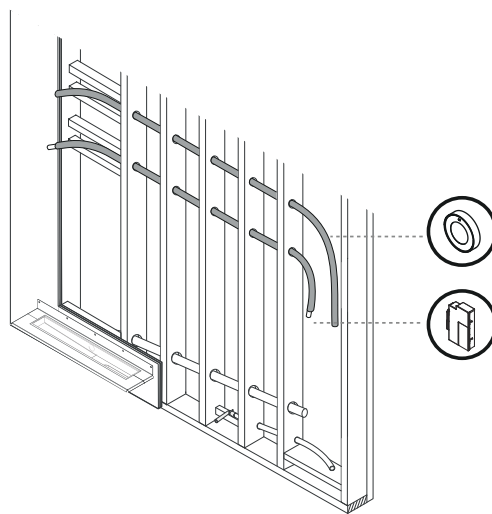


Prepare for hand shower and diverter

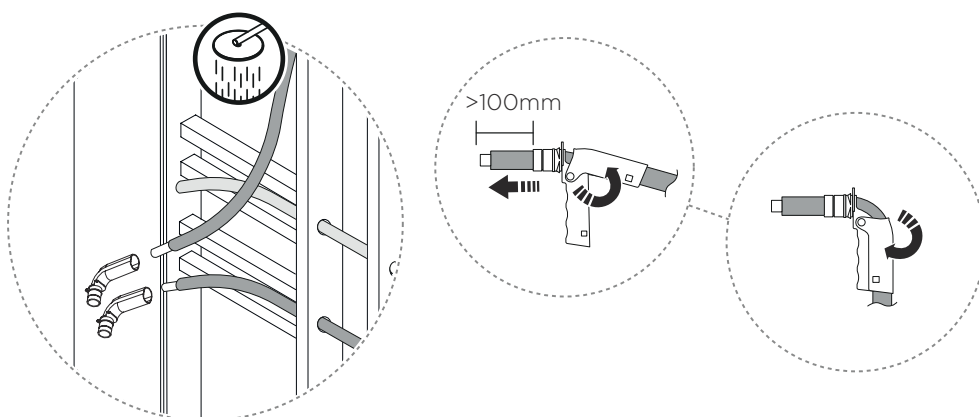


If installing Orbital Shower without the hand shower or with third-party components, please note that the following steps need to be adapted to the chosen installation scenario. When using third-party components, make sure to fulfill **Orbital's requirements** [12] and follow the supplier's instructions.

1. Draw the PEX pipes from the shower area to the position where the Core will be installed.



2. Install the PEX pipes in the conduit elbows. The PEX pipes should protrude a minimum of 100 mm.

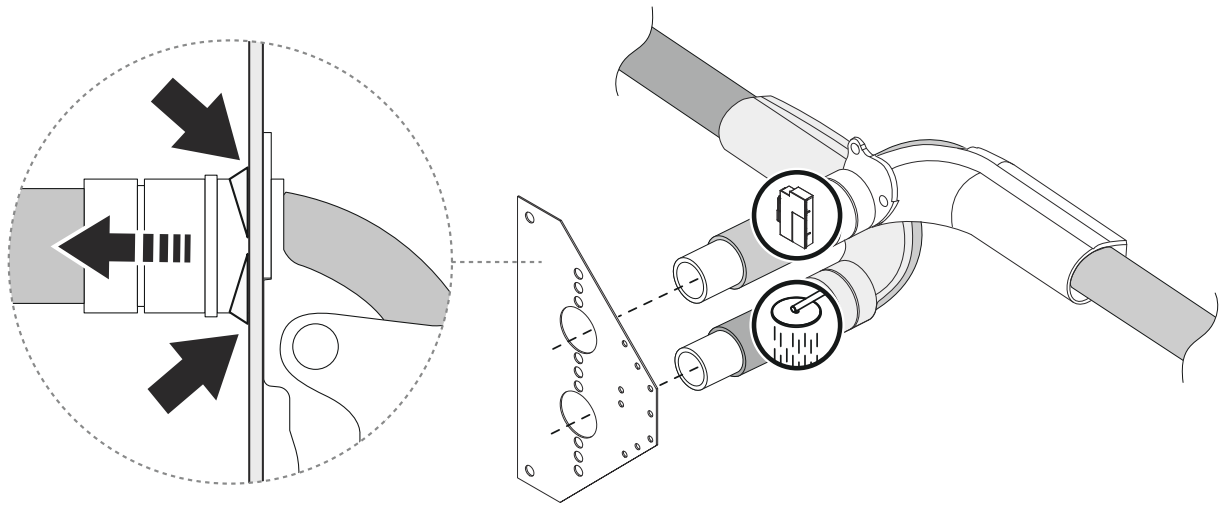


3. Install the conduit elbows into the wall fixture.

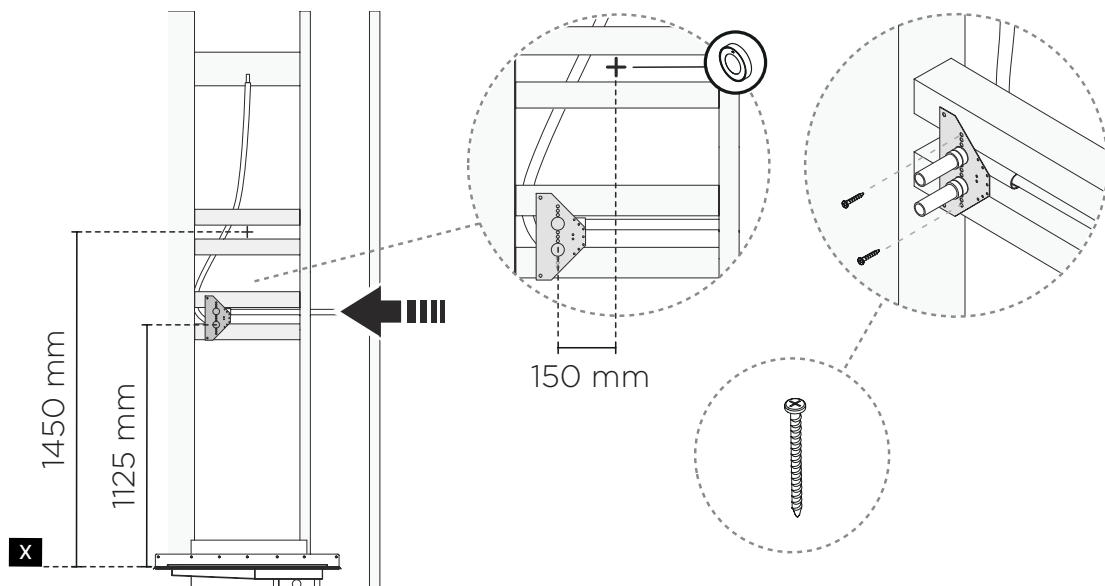


CAUTION

- The Core shall be connected to the top inlet.
- The overhead shower shall be connected to the bottom inlet.

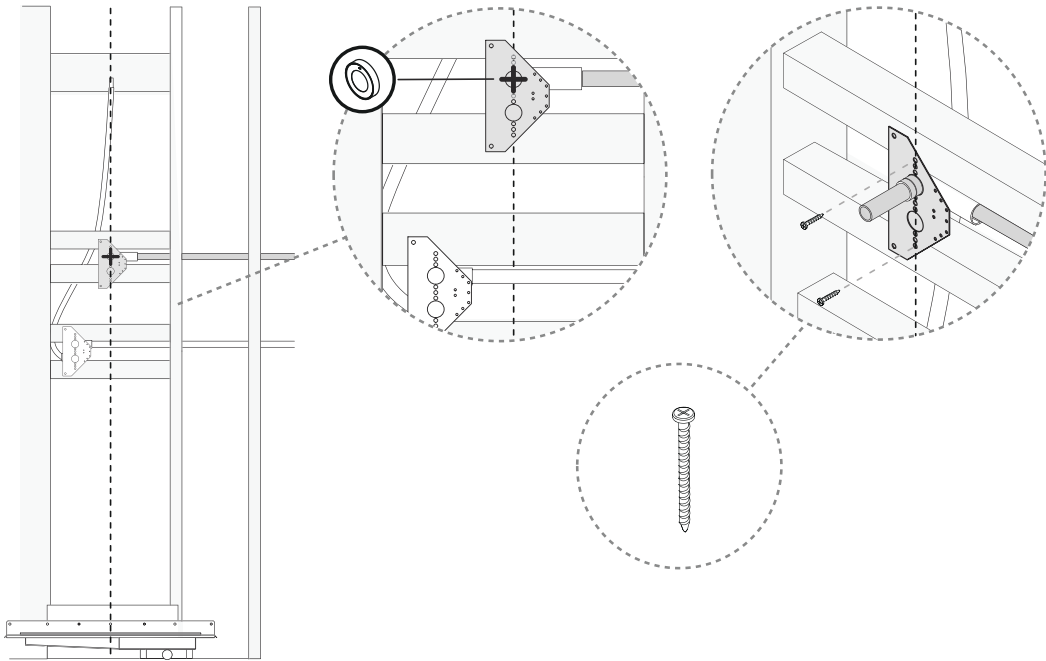


4. Mount the wall fixture to the noggin.



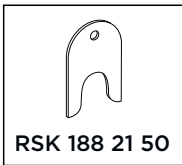
x2 Countersunk stainless steel screw

5. Mount the wall fixture for the Control Dial pipe. Make sure the overhead shower and the Control Dial are vertically centred.

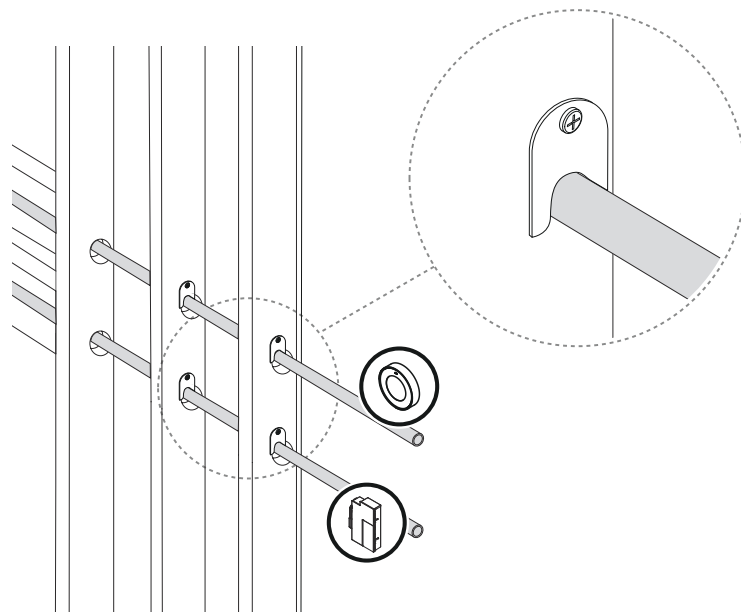


x2 Countersunk stainless steel screw

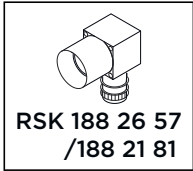
6.



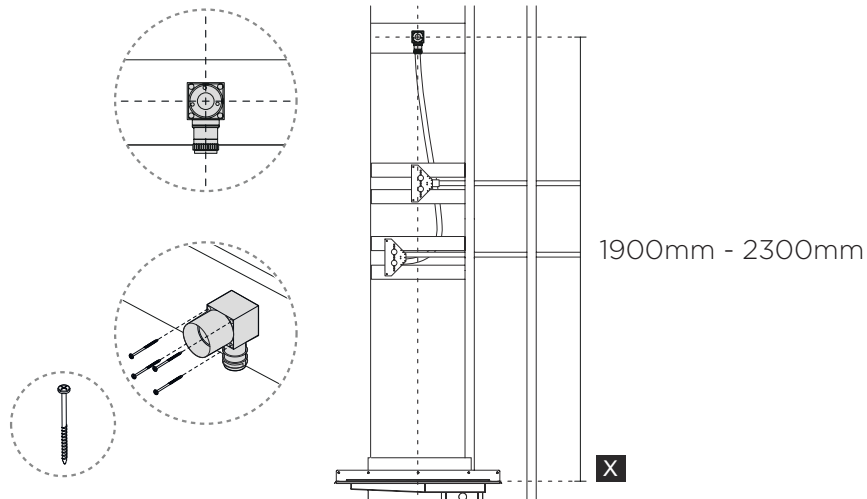
Anchor the Control Dial and diverter piping according to industry rules.



Prepare Orbital Systems overhead shower

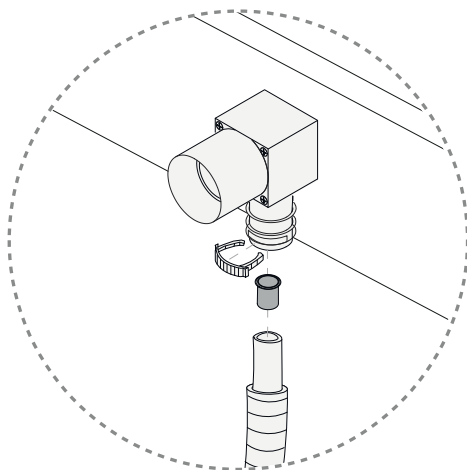


1. Measure and mark the placement of the wallbox UNI Push. Mount the wallbox with four screws from the front, and follow the provided instructions. Installation should be performed according to industry rules.

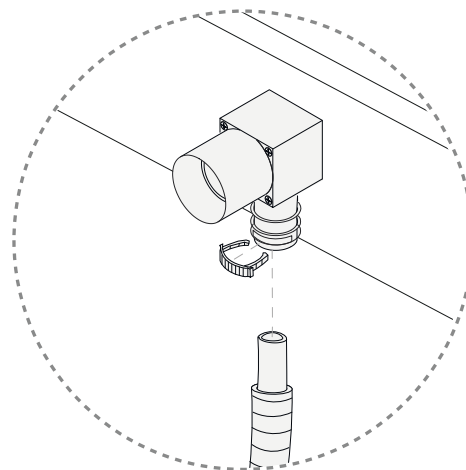


x4 Pan head stainless steel screw

2. Make sure that the support sleeve is inserted into the pipe and that the pipe is fully inserted, and past the o-ring, into the wallbox UNI Push.



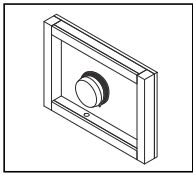
Wallbox UNI Push with external support sleeve



Wallbox UNI Push with integrated support sleeve

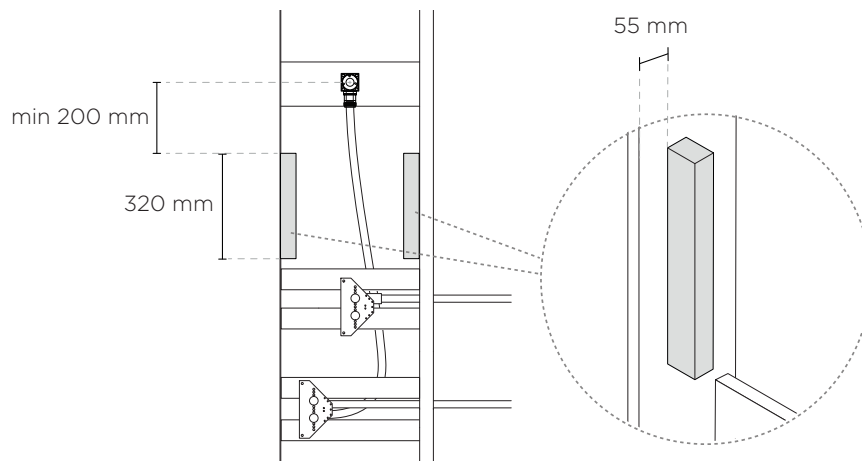
Install Audio

The following steps are only valid for Orbital Audio

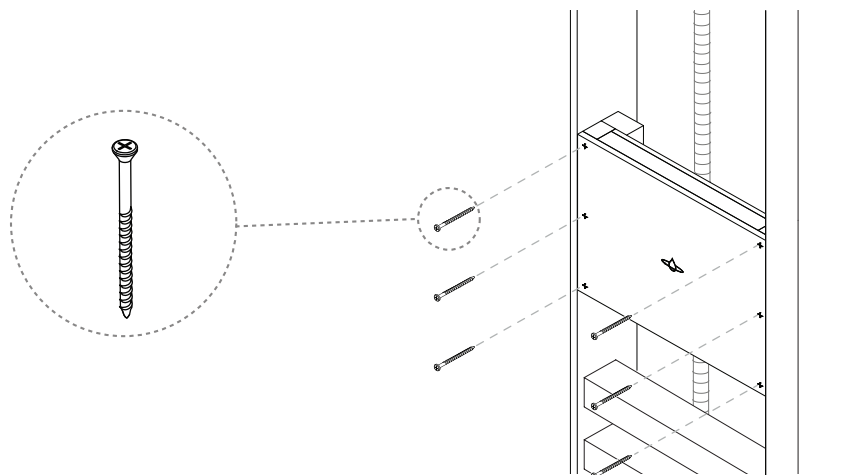


Check that the exciter is intact and attached to the back of Audio Fixture before starting the installation.

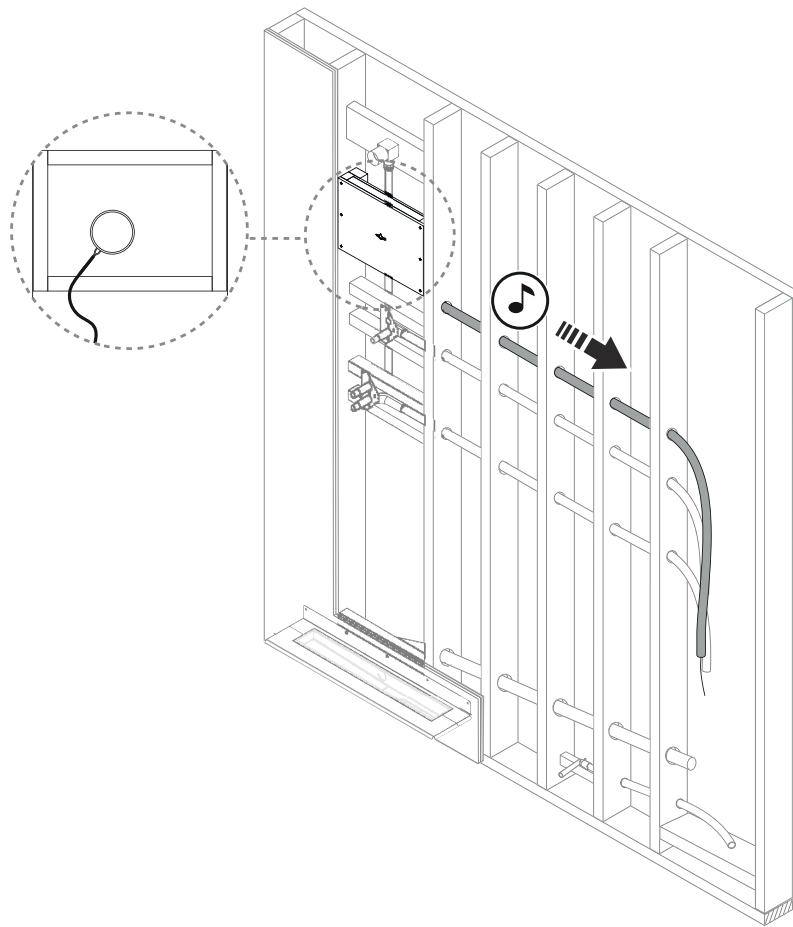
1. Install two studs in between the head shower and the Control Dial, where Audio Fixture will be placed. This placement gives the best conditions for the sound experience.



2. Place Audio Fixture in level with the front edge of the vertical studs. Pre-drill and attach with six stainless steel countersunk screws.

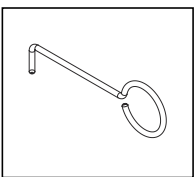


3. Draw the speaker cable from the back of the Audio Fixture to the position where the Core will be installed.

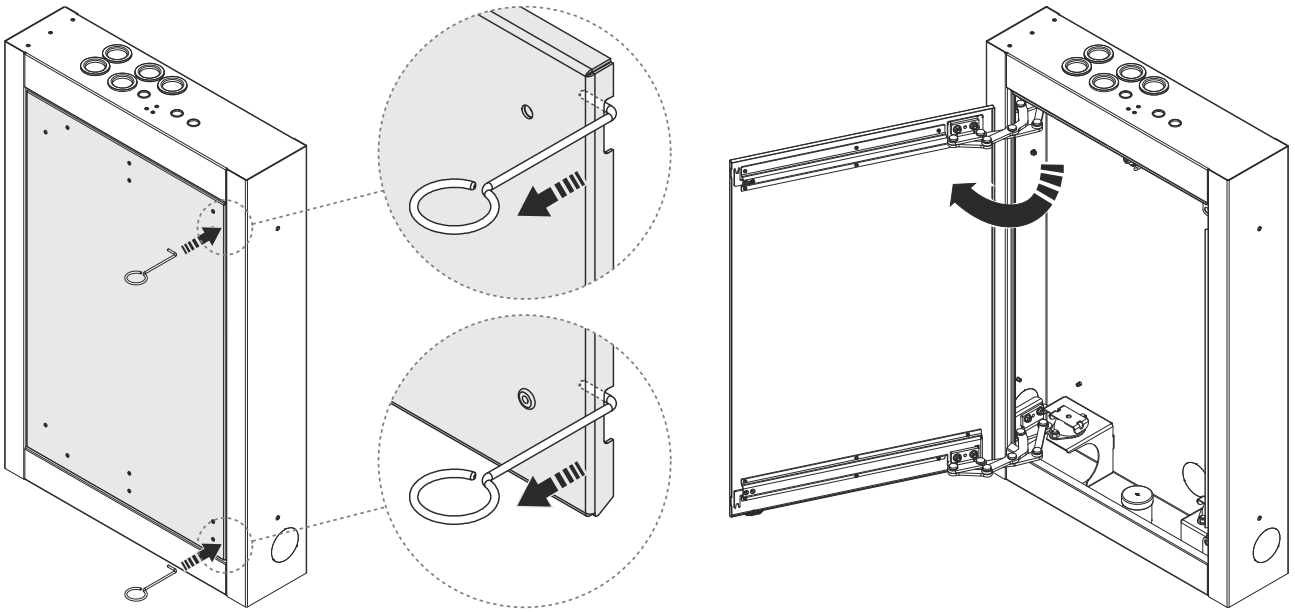


The Audio installation process continues in chapter [Pipes & connections \[43\]](#).

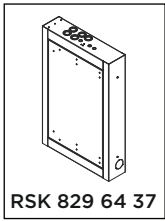
Open the Wall Box door



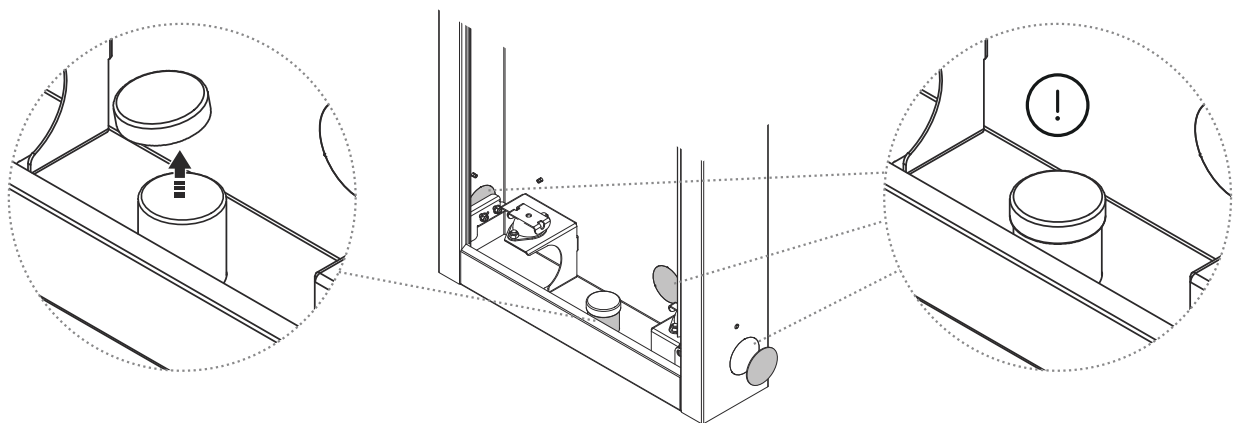
To open the door, insert the hook in the slots on the right side of the door and pull straight out.



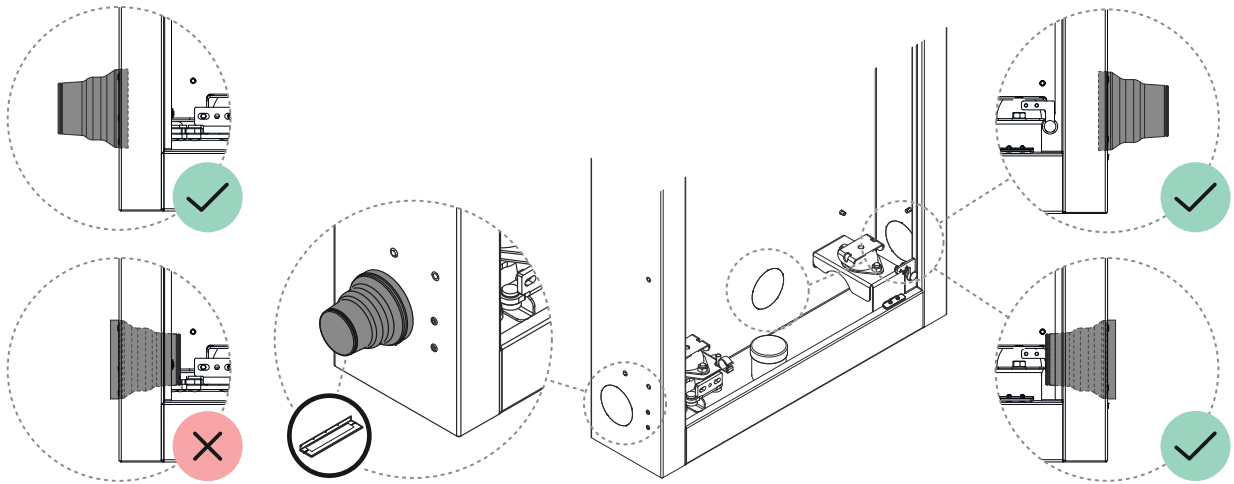
Install Wall Box



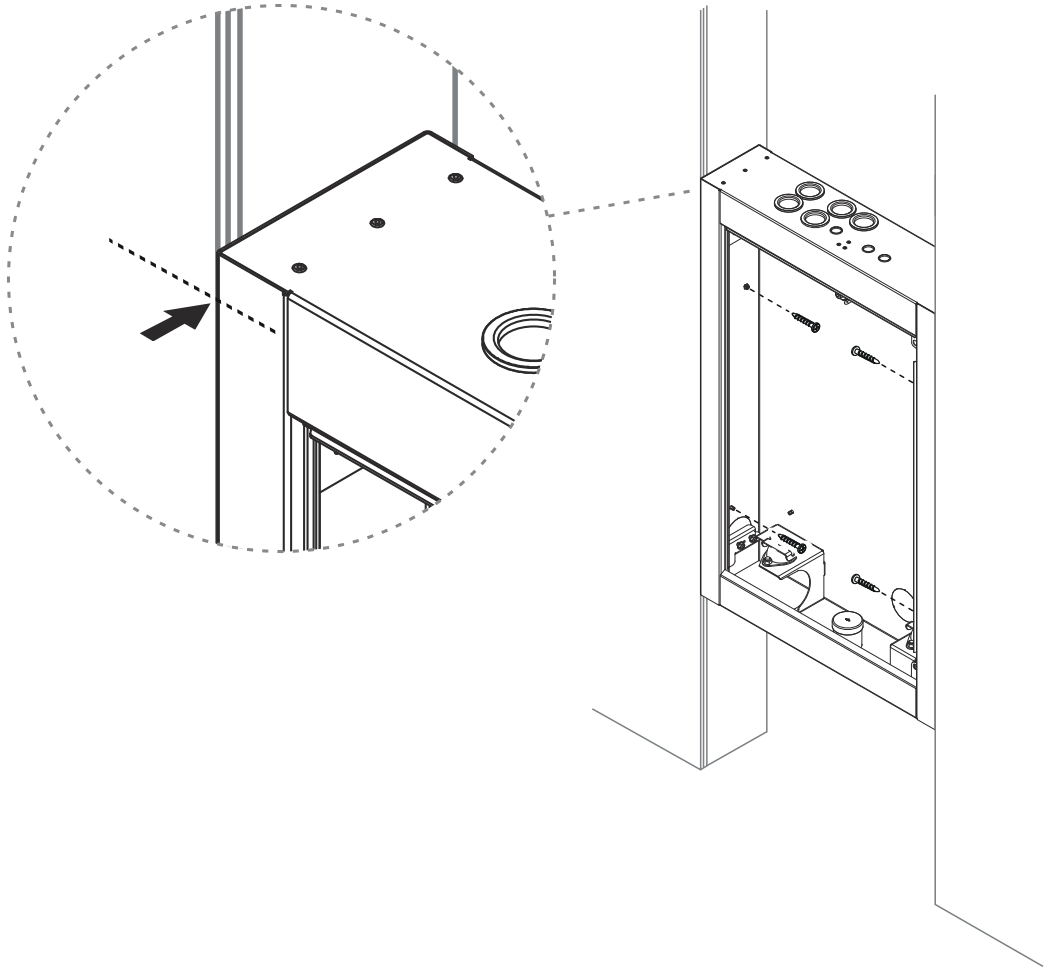
1. Identify which Drain pipe inlet hole is best suited for your installation scenario (bottom, back, left or right). If one of the side or back holes are used, leave the protective cap mounted on the bottom inlet hole. Punch out one hole in the sheet metal to create the side or back inlet.



2. Mount the pipe penetration seal in the selected inlet hole (not applicable when using the bottom inlet).
- If the left-side inlet hole is used, the penetration seal must be installed facing outward.
 - If the back or right-side inlet hole is used, the penetration seal may be installed facing either outward or inward.



3. Mount the Wall Box in line with the front of the drywall.



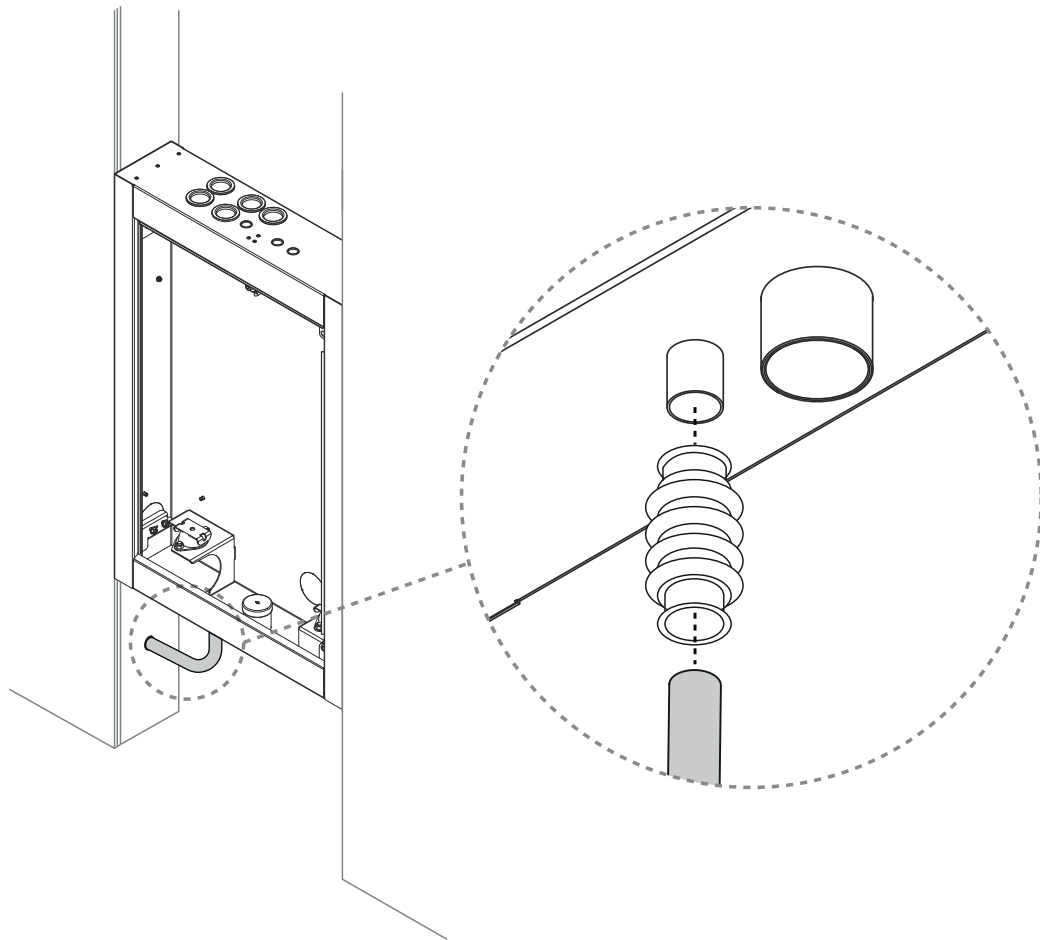
Pipes & connections



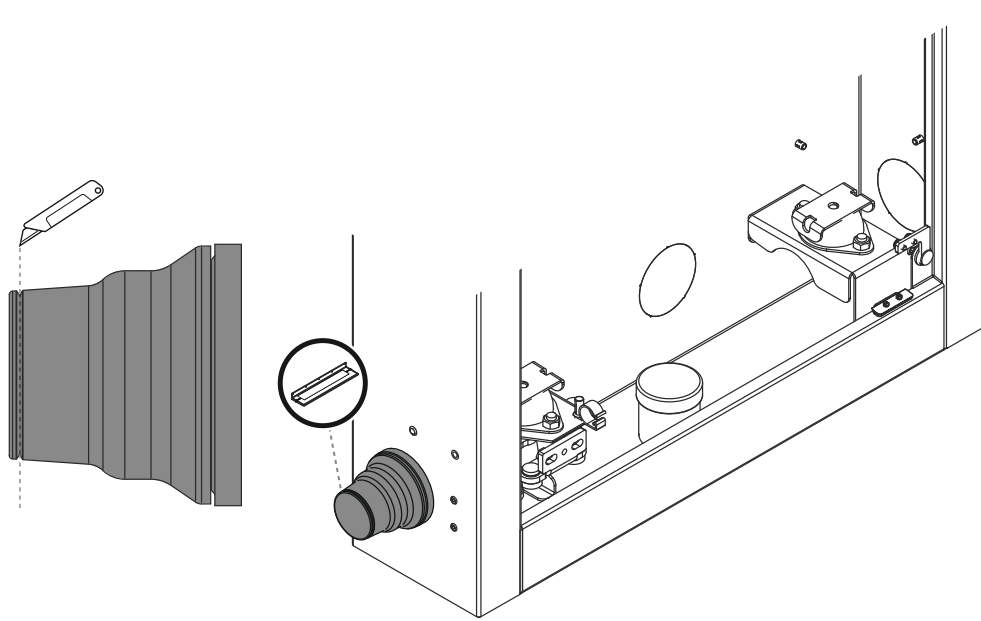
Provided by customer:

- PEX hose with conduit Ø25 mm, for incoming hot and cold water
- Power cable with conduit Ø16 mm
- Anchors

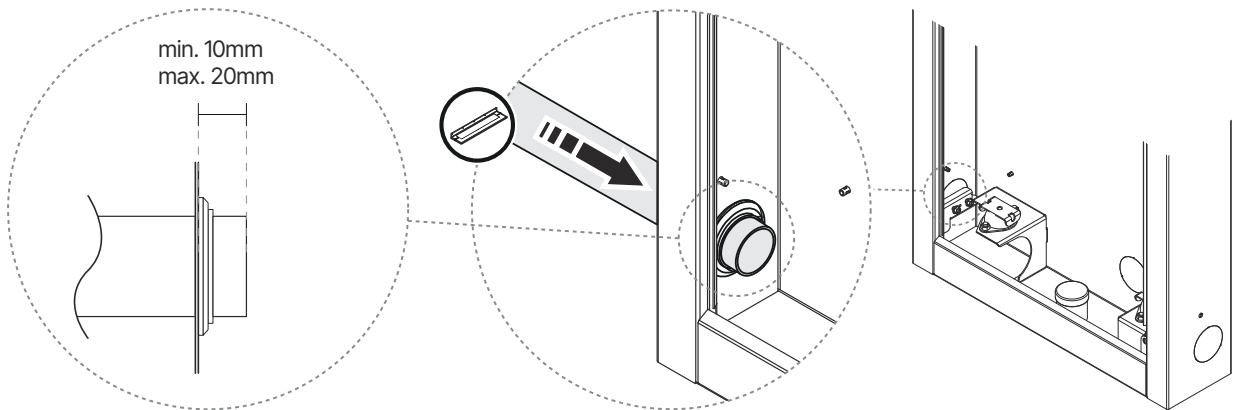
1. Connect the drainage pipe to the Wall Box.



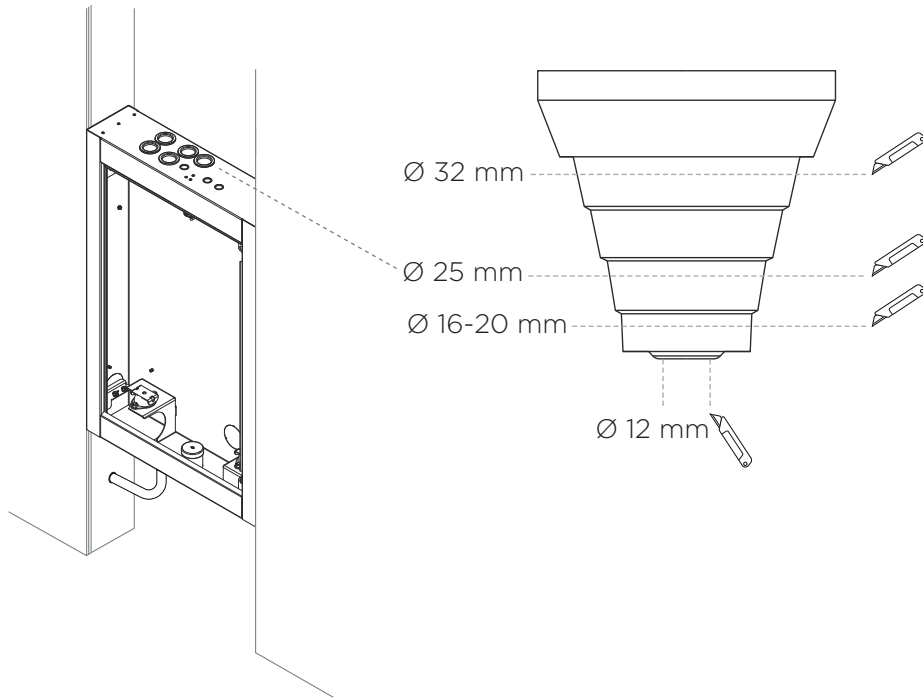
2. Cut the pipe penetration seal to fit the drain pipe (50 mm).



3. Insert the drain pipe into the Wall box.



4. Cut the cones depending on the diameter of the conduit.



5. Draw the pipes to the correct position in the Wall Box.

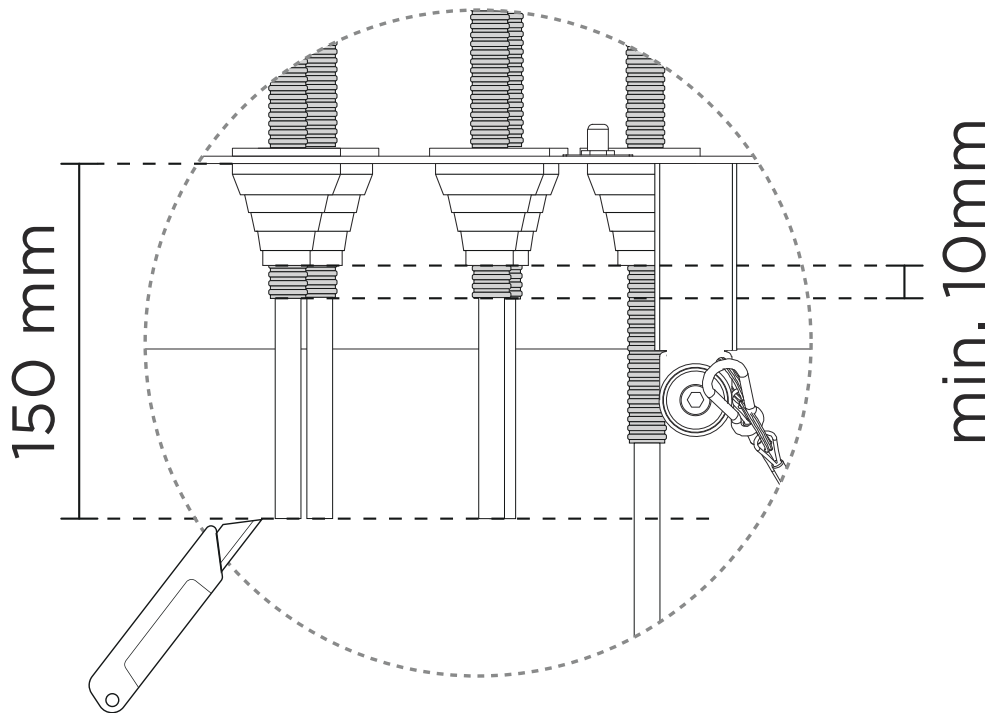


6. Cut the conduits and PEX pipes.



NOTICE

PEX length might be adjusted depending on the chosen connector applied later.

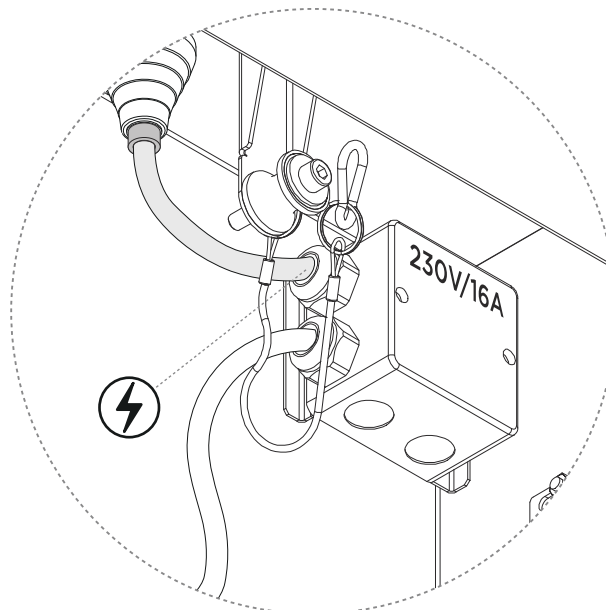


7. Connect the electrical cable to the junction box.

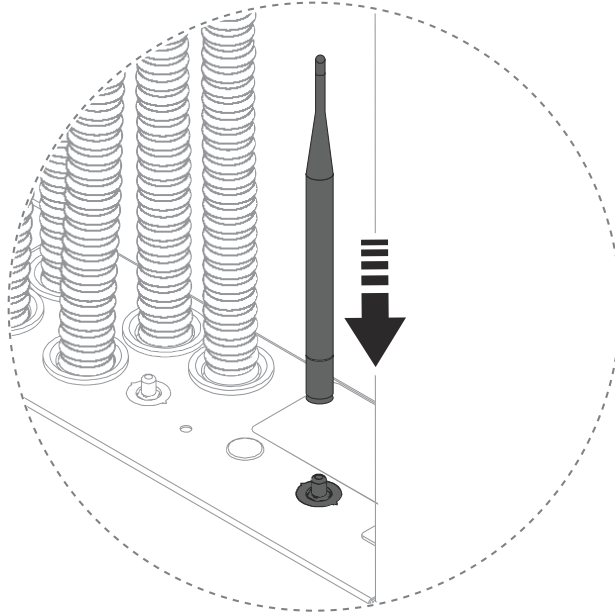


WARNING

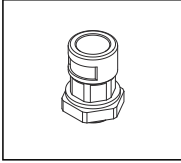
Electrical installation should be performed by a qualified electrician according to applicable industry standards and regulations.



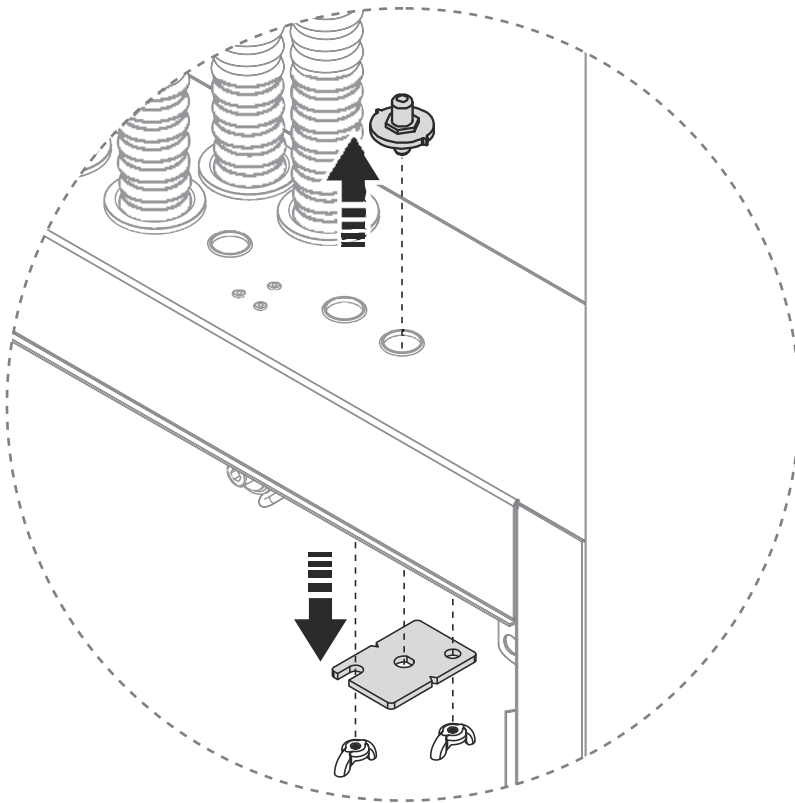
8. Install the Wi-Fi antenna. If using an ethernet connection, see the next step.



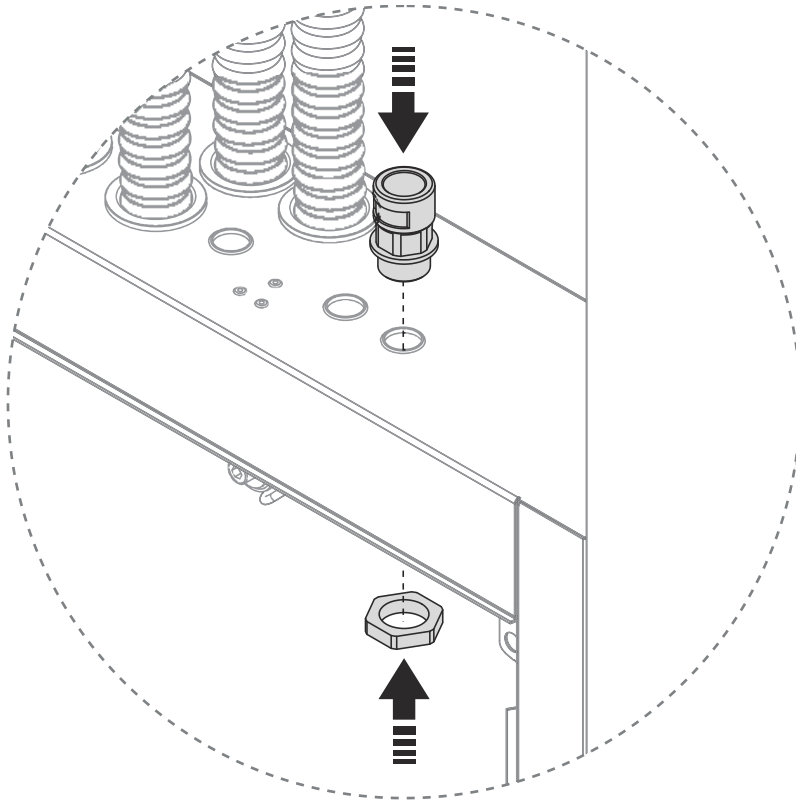
9. Only valid for Orbital ethernet installation



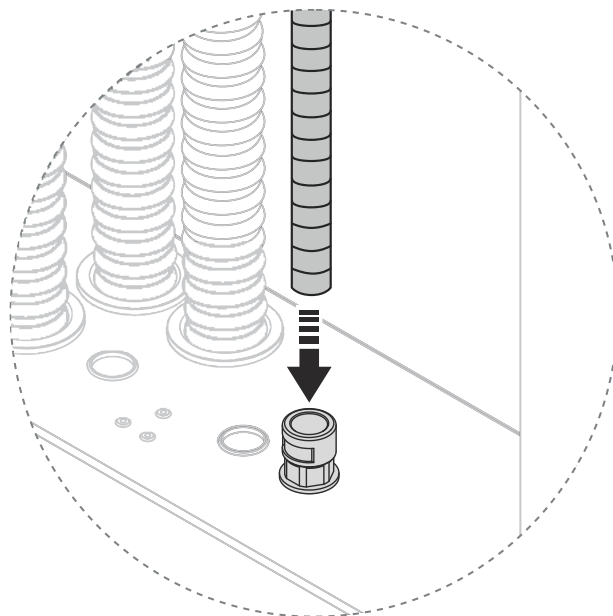
Unscrew the antenna bracket.



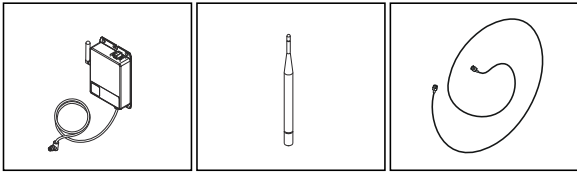
10. Install the ethernet pipe connector.



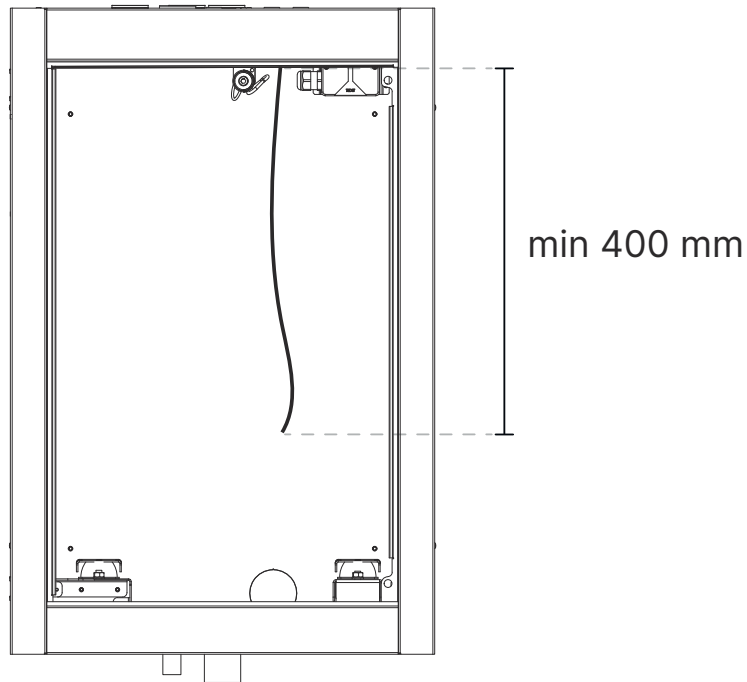
11. Connect the pipe to the connector.



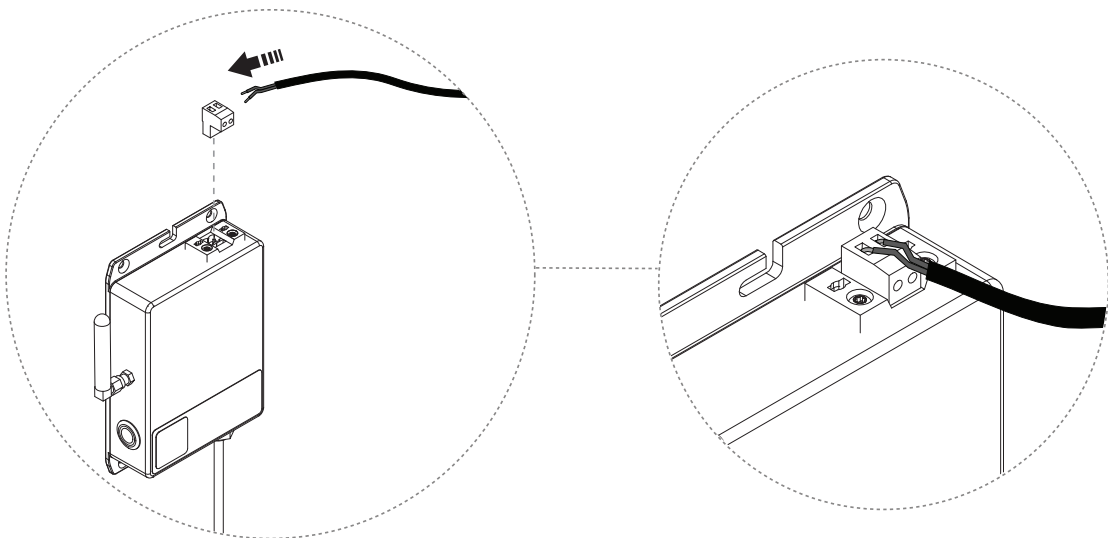
Only valid for Orbital Audio installation



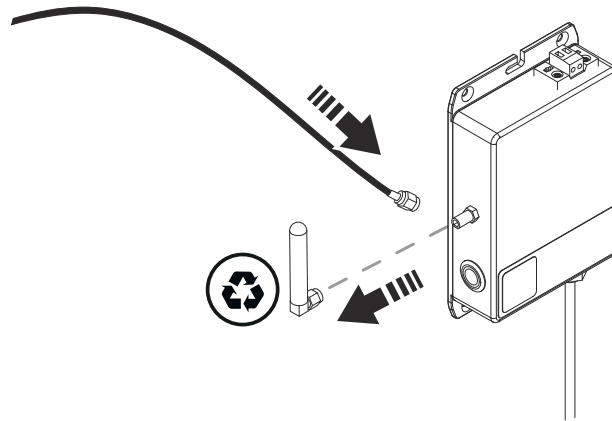
1. Cut the speaker cable to reach the amplifier, to a minimum of 400 mm.



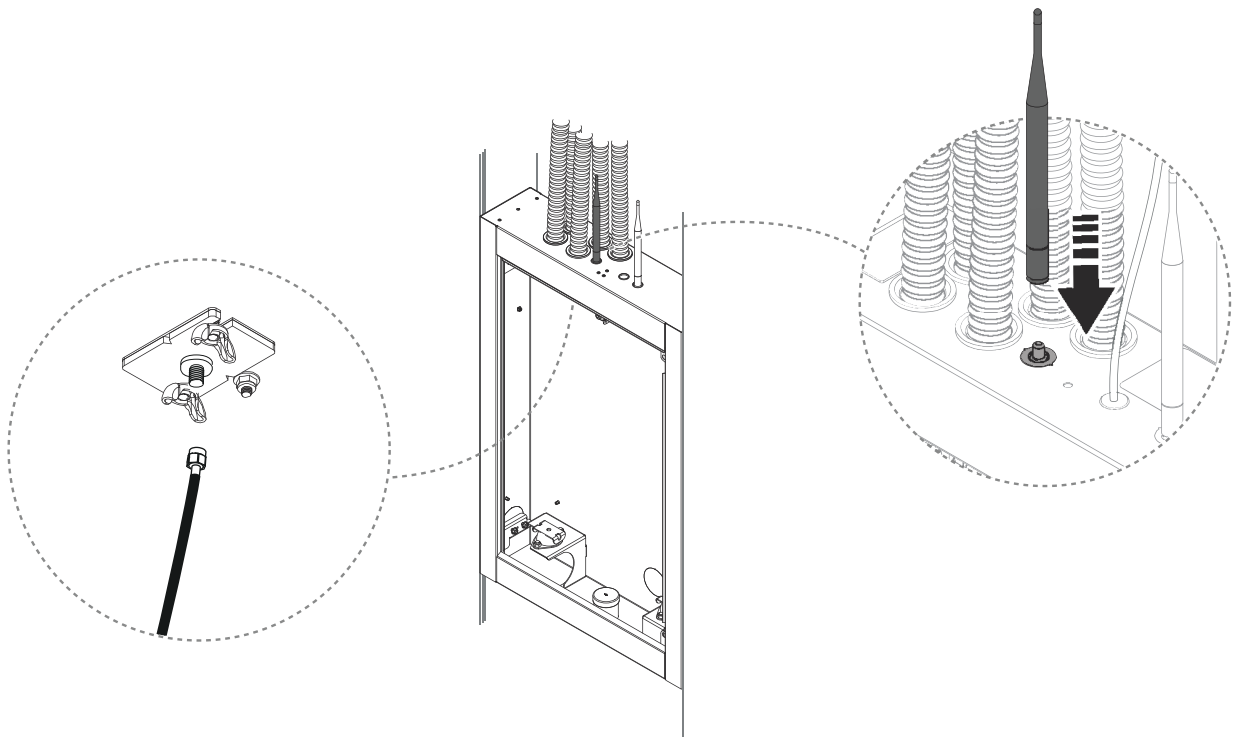
2. Strip the speaker cable and attach it to the amplifier.



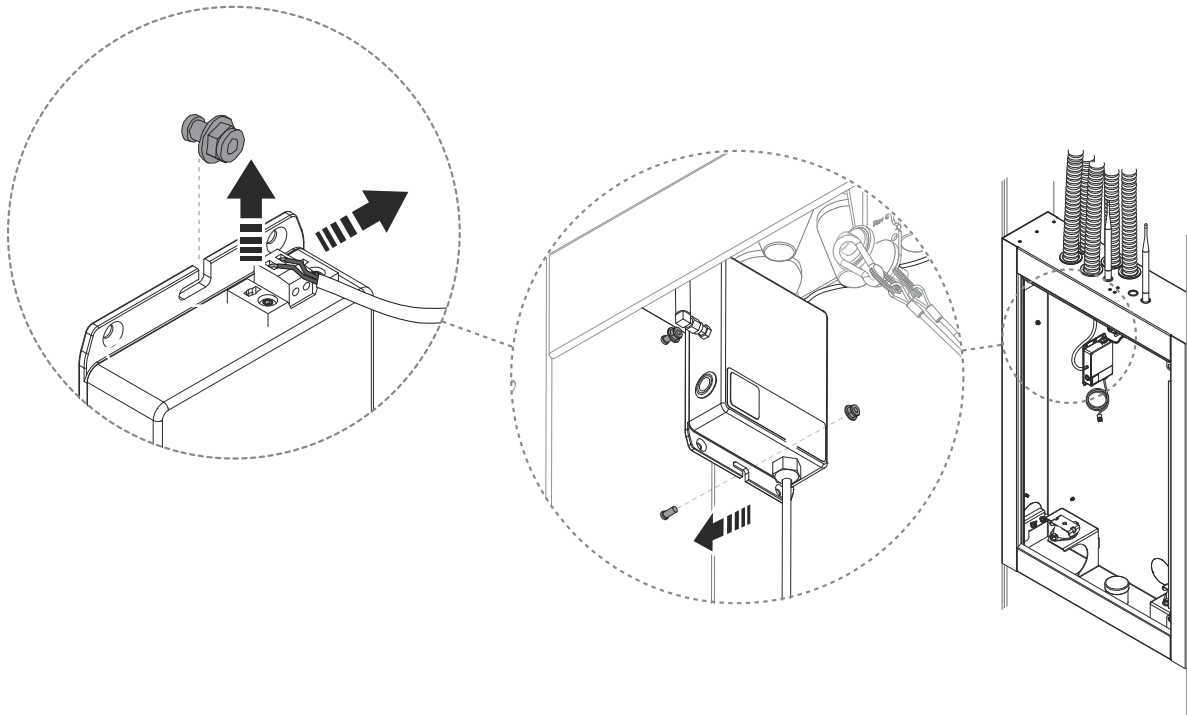
-
3. Remove the stub antenna from the amplifier, and replace it with the antenna cable.



-
4. Connect the other part of the antenna cable to the rod antenna and attach the antenna to the top of the Wall Box.

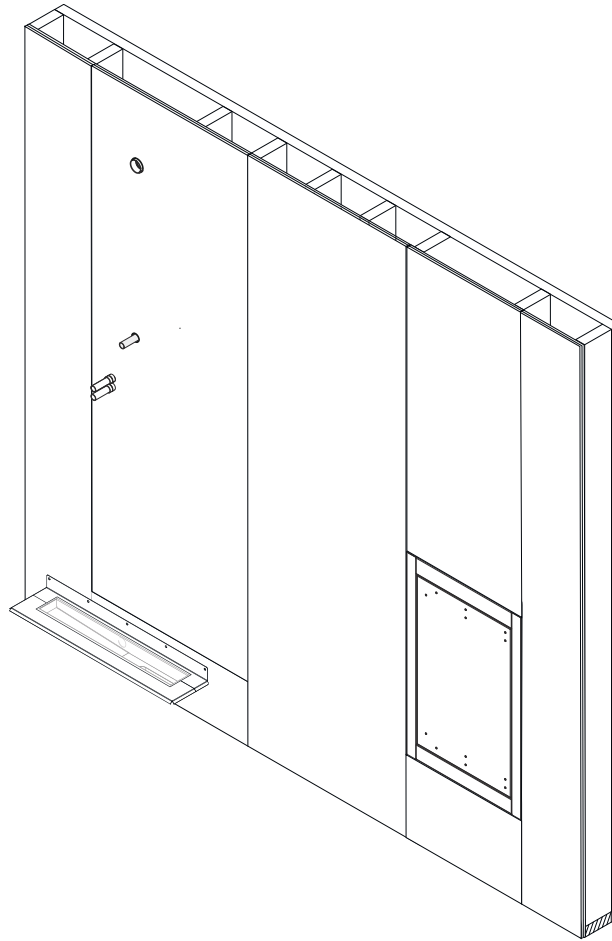


5. Mount the amplifier in the Wall Box by loosening the nut from the lower bracket and threading the amplifier into the upper bracket. Attach the lower nut and tighten.



Prepare for tiling

1. Install wall boards in accordance with applicable industry standards. Drill the holes using a drill with a maximum diameter of 25 mm.

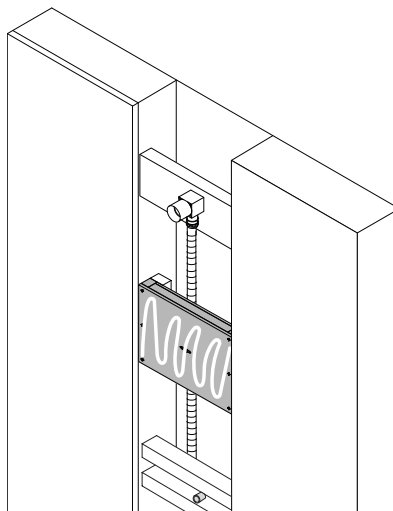


Only valid for Orbital Audio installation

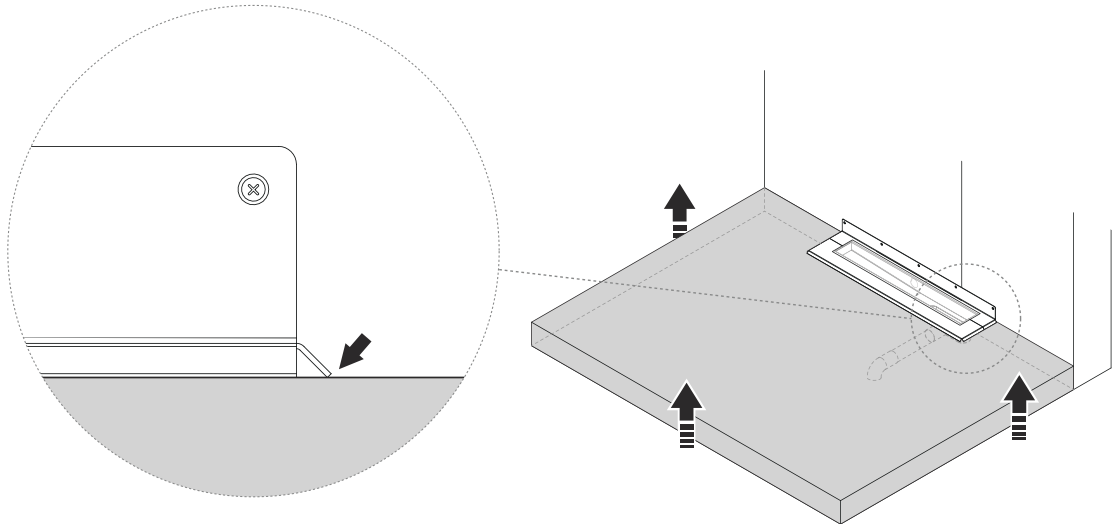


CAUTION

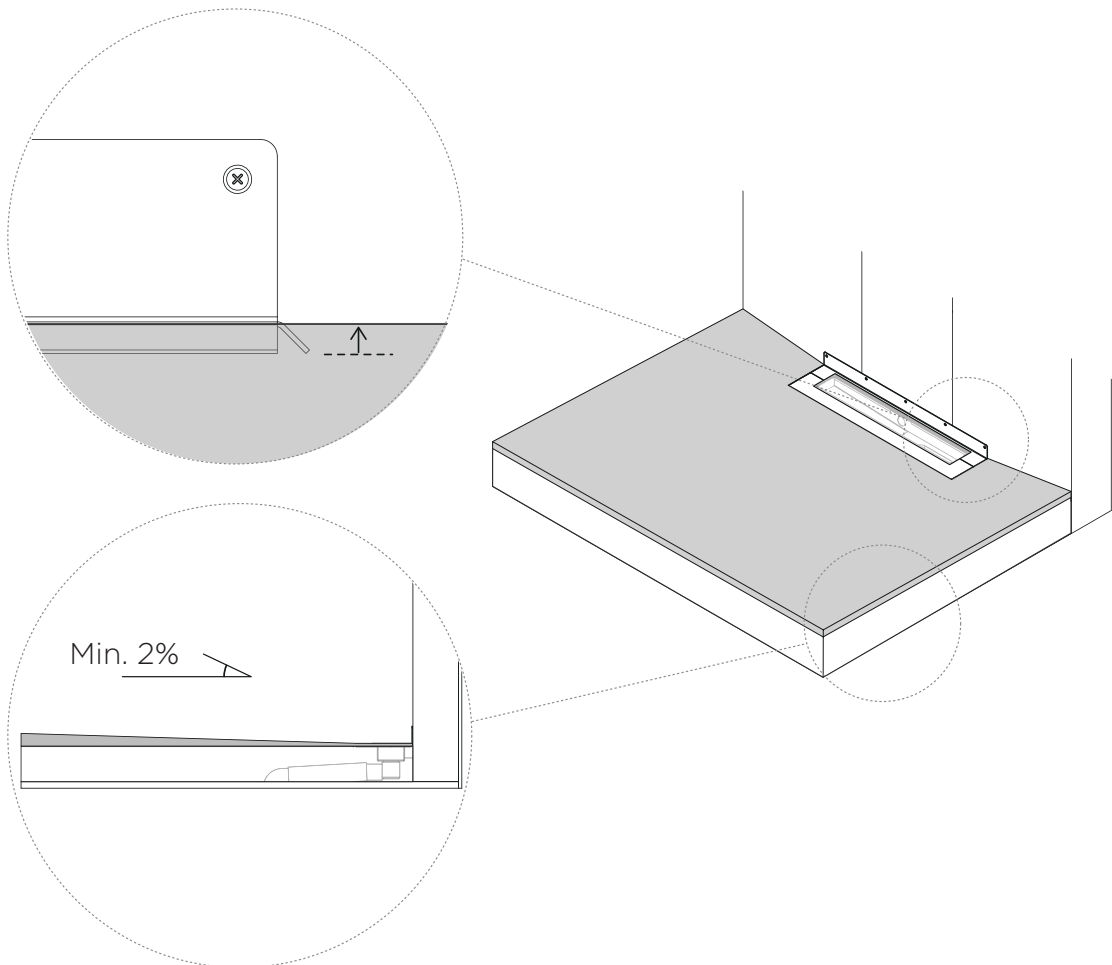
Make sure to apply construction glue to the Audio Fixture and all wallboard layers covering it.



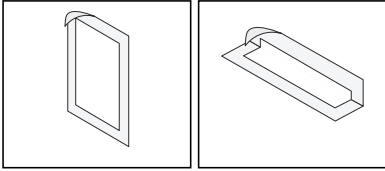
2. Raise the floor until it is level with the flange on the drain unit.



3. Form a step inclination towards the drain unit in accordance with applicable industry standards (min. 2% inclination). Make sure that the lowest part of the inclination is level towards the drain unit surface.



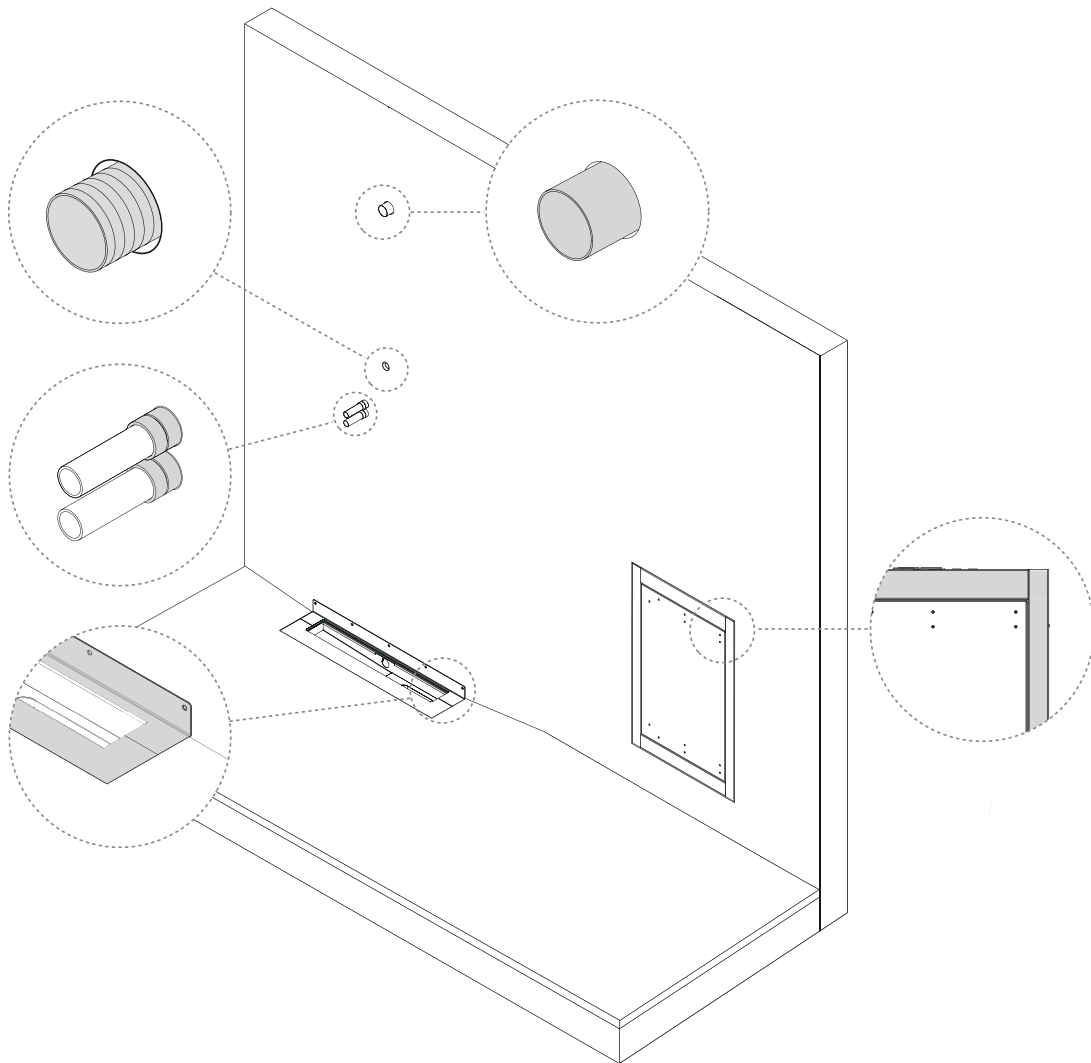
Apply waterproofing membrane



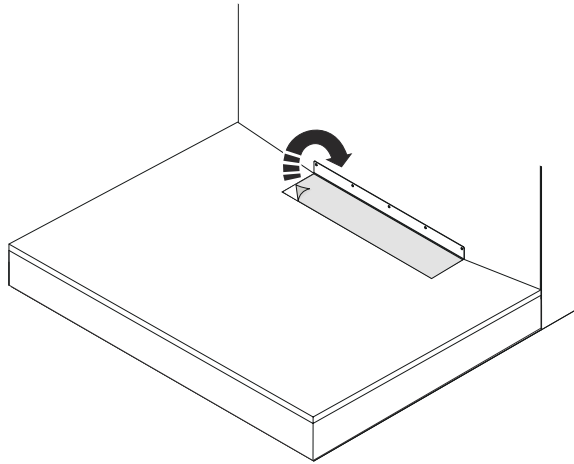
Provided by Customer:

- Waterproofing conduit membrane for the diverter
- Waterproofing conduit membrane for the overhead shower
- Waterproofing conduit membrane for the Control Dial

Waterproofing membrane shall be applied around four penetrations in the wall, and on the metal flanges of the Wall Box and the drain unit.



-
1. Remove the protective cover from the drain unit.

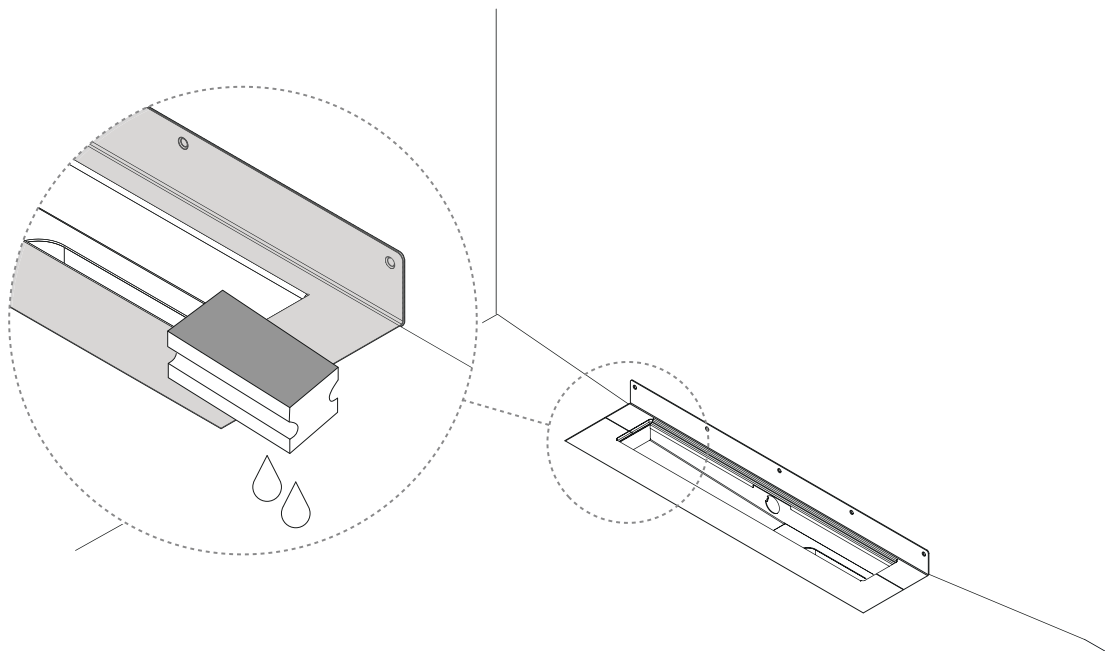


-
2. Roughen the metal surface of the drain unit and the Wall Box and clean them with the included cleaning wipe.

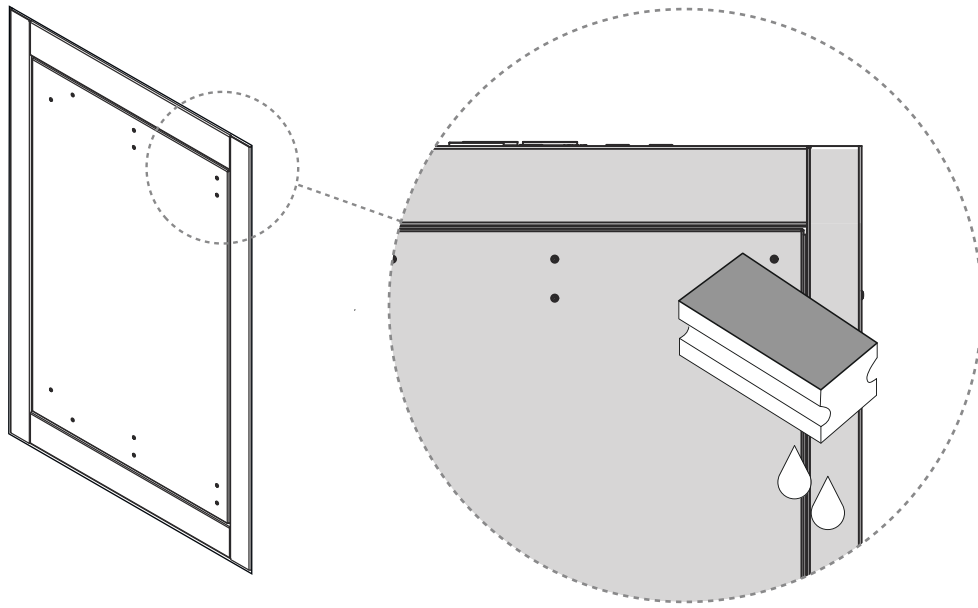


NOTICE

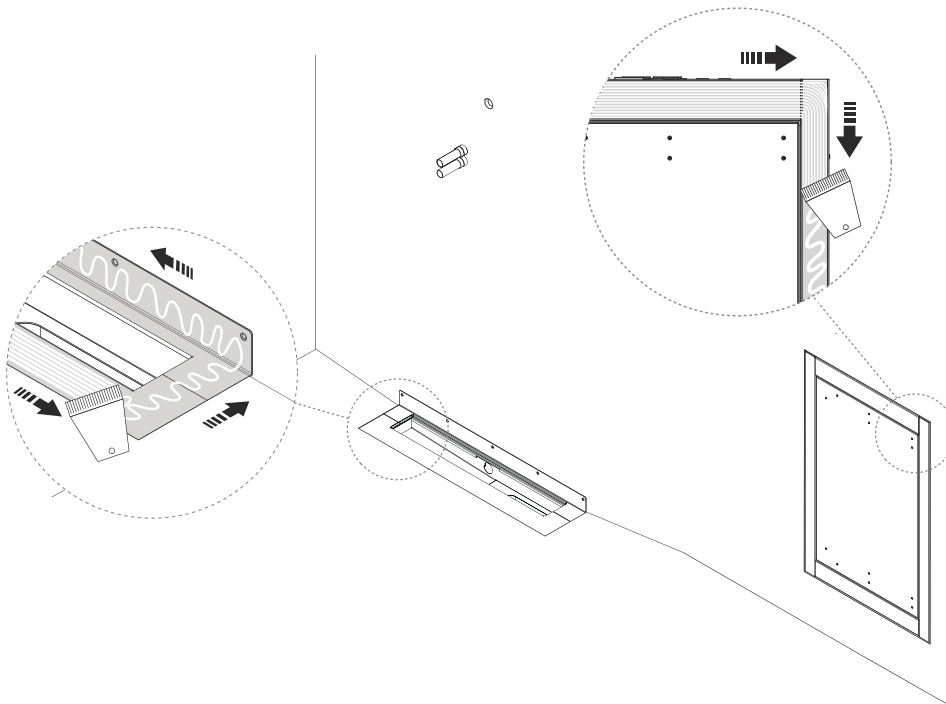
To achieve optimal bonding, all surfaces should be clean and free of adhesion reducing substances (e.g. dust, acid, grease).



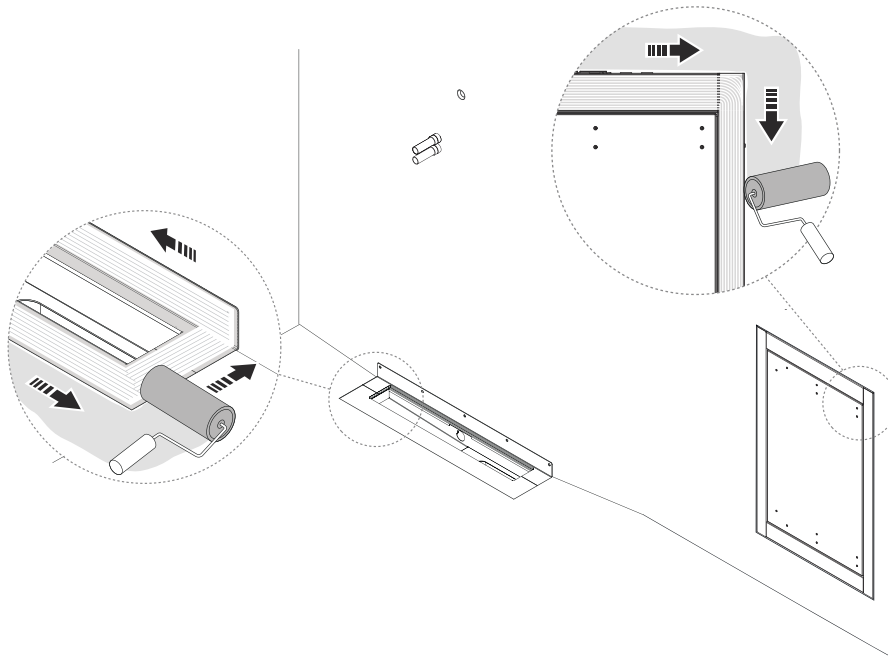
3. Clean the Wall box door and flanges with a suitable degreasing agent.



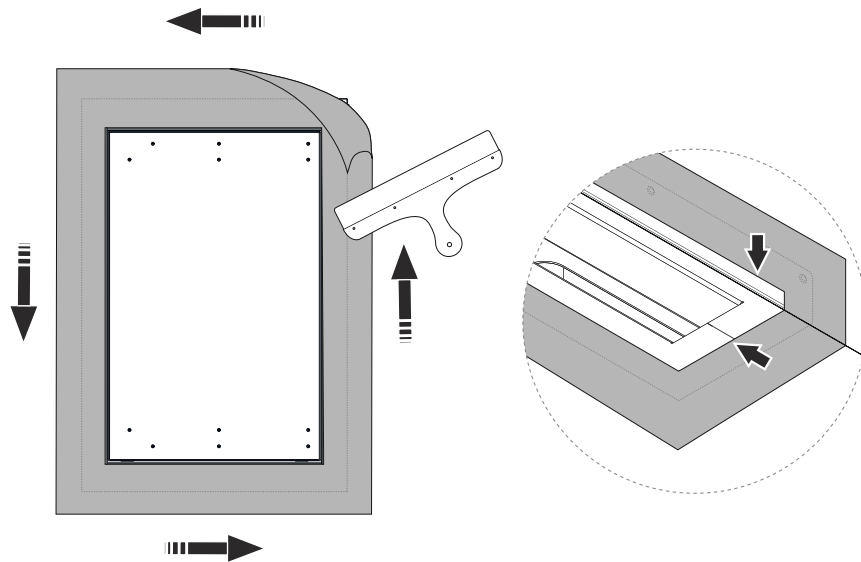
4. Evenly coat the metal flanges of the wall box and drain unit with waterproofing adhesive, using a fine-toothed glue spreader or brush to ensure full coverage.



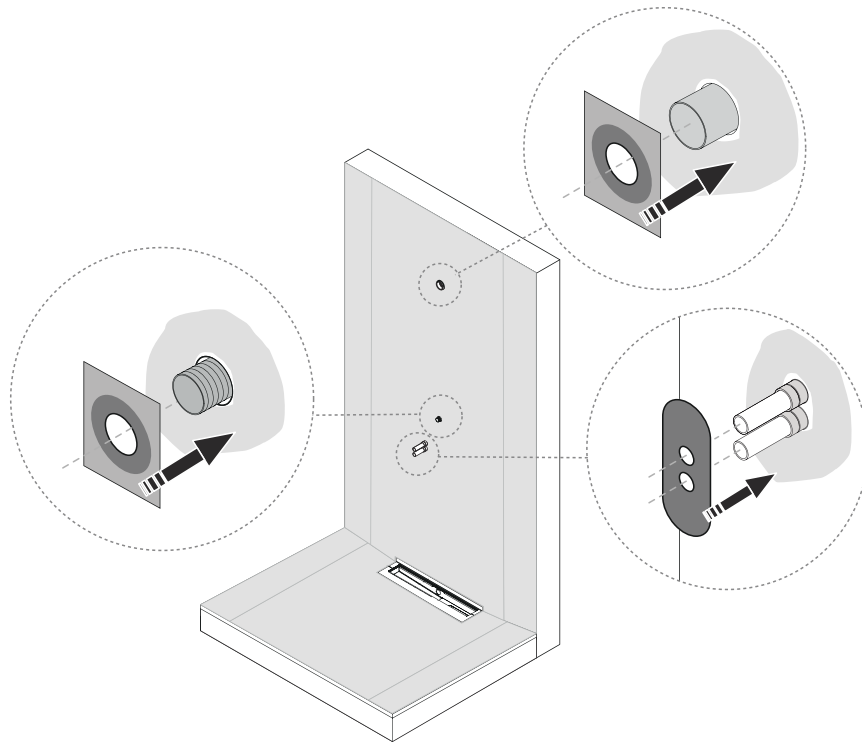
-
5. Apply liquid membrane to the floor- and wall surfaces which the drain waterproofing membrane and the Wall Box waterproofing membrane are going to cover.



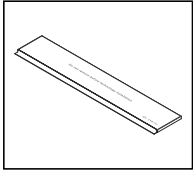
-
6. Apply the enclosed waterproofing membranes around the Wall Box and the drain unit. Firmly apply pressure and remove air pockets using a smoothing tool. Make sure no blisters or creases occur. Cover both the floor and the wall when mounting the drain waterproofing membrane.



-
7. Apply waterproofing conduit membrane according to the chosen manufacturer to seal the conduits from the wall. Ensure the remaining surfaces gets waterproofed according to the chosen waterproofing membrane manufacturer and applicable industry standards.

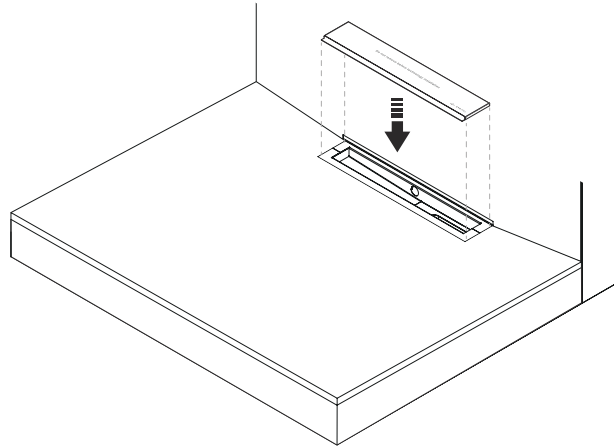


Tiling

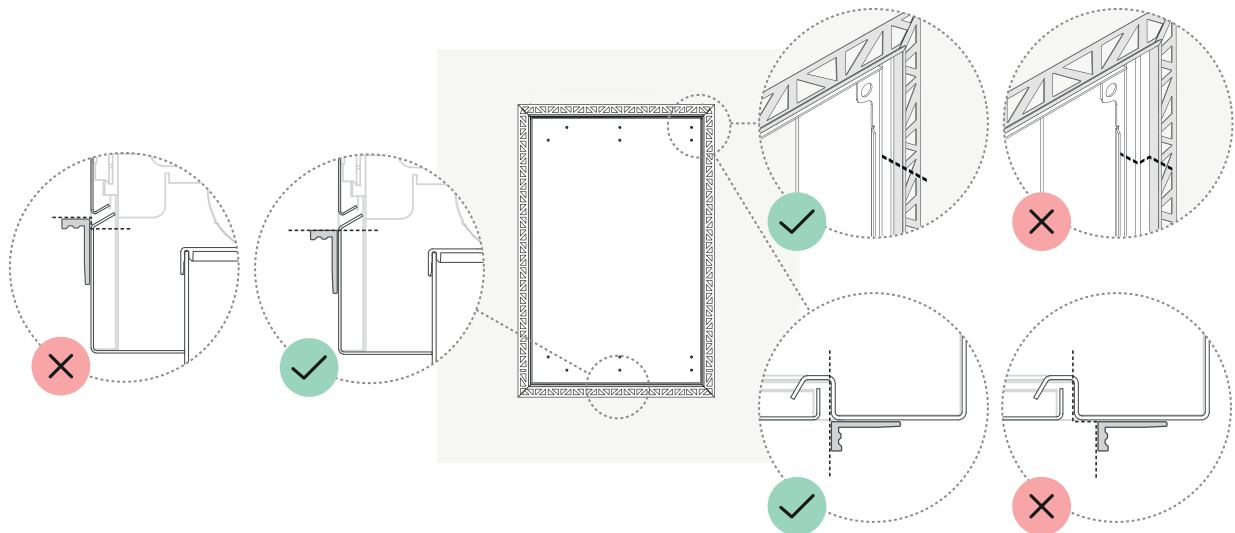


The tile thickness on the wall and floor can be a maximum of 10 mm.

1. Install the tiling frame set.



2. Install a tile trim around the Wall Box. Align it edge-to-edge with the inner side of the Wall Box.

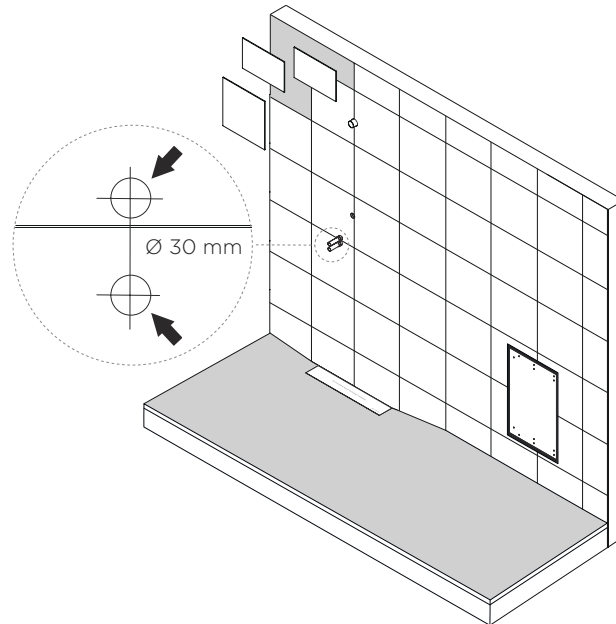


3. Tile the wall and floor, and cut holes in the tiles with a drill max of 30 mm.



CAUTION

- Do not cut the PEX Hoses, they need to stick out for coming installation steps.
- If using a drill larger than 30 mm in diameter, the diverter will not fully cover the holes.

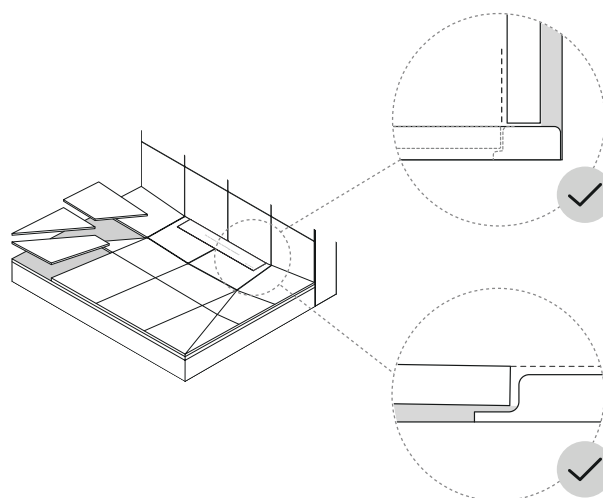


4. Make sure the tiles do not overlap the grating, allowing it to be removed.



NOTE

The floor tiles must be level with or higher than the frame. To achieve this, they must be at least 8 mm thick.

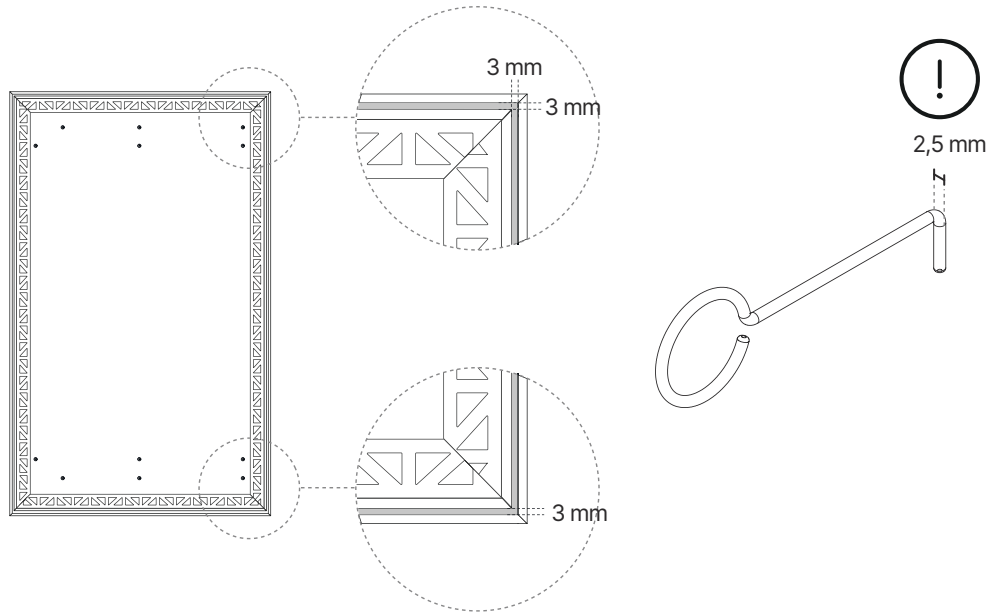


5. Mount a tile trim on the door.

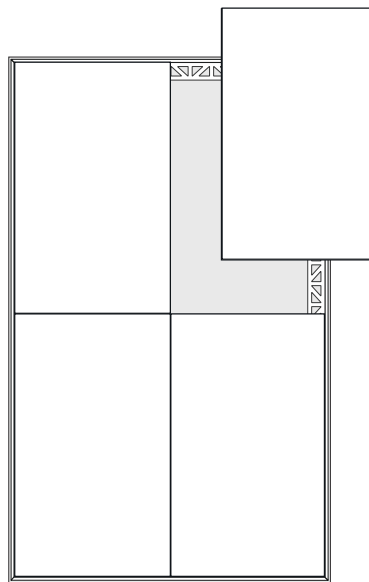


NOTE

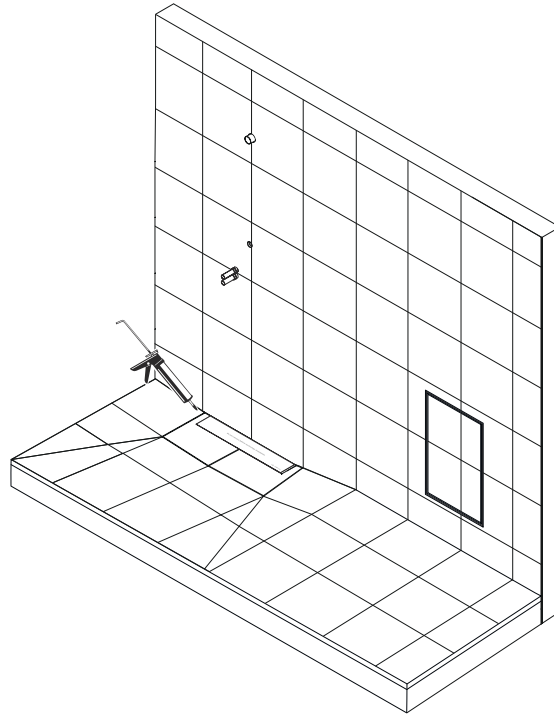
The hook is 2.5 mm wide and must fit into the gap between the tile trims to allow the door to be opened.



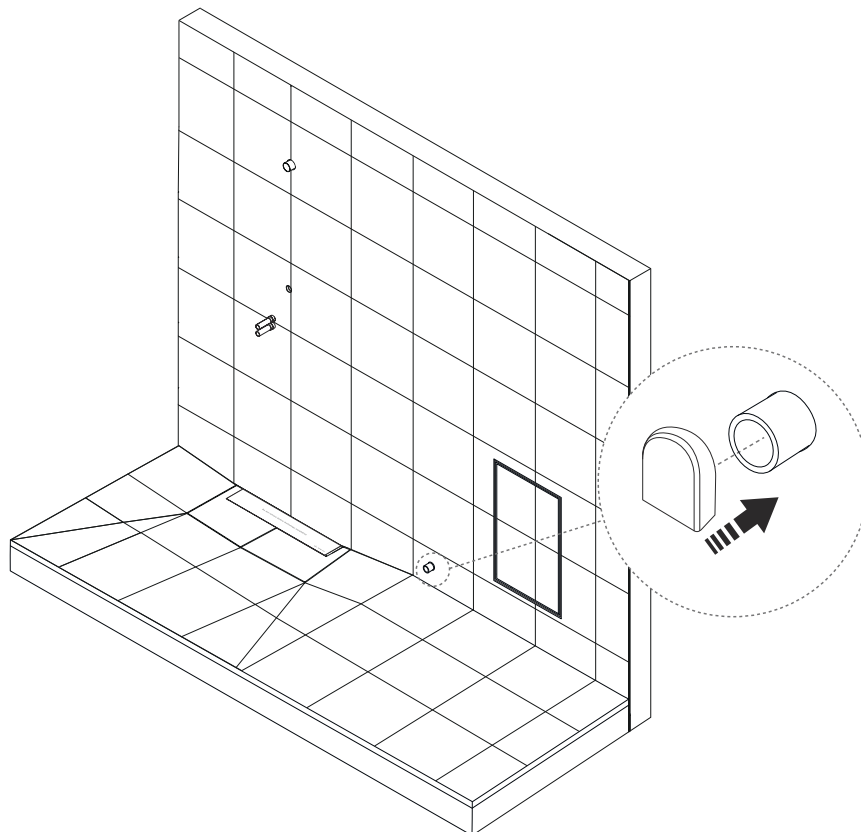
6. Apply the tiles to the door with adhesive suitable for the purpose. Ensure the depth of the tiles is level with the surrounding wall tiles.



7. Apply silicone sealant around the floor drain and in the rest of the bathroom.

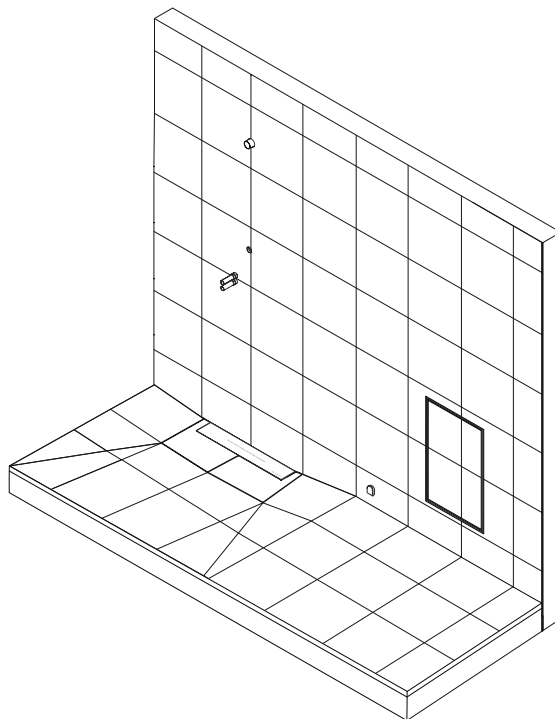


8. Attach the pipe cover to the drainage pipe bend.



Fixture Installation completed.

The next step is to install the Orbital Shower Core, Control Dial, overhead shower, and hand shower (including the diverter and hand shower holder). See the Technology Installation Manual for details.



ORBITAL



CERTIFIED SPACE TECHNOLOGY