



User Guide

Orbital Shower (OS8732-Ei2, OS8733-E)

Shower profile: Business

5-06-0040

Publication date 2024-11-14

Copyright © 2024,Orbital Systems


All rights reserved. No part of this document may be reproduced or copied in any form or by any means without written permission from Orbital Systems. The English language version of this document contains the original instructions. All other language versions are translations of the original instructions.

Table of Contents

| | |
|--|----|
| Thank you for your purchase | 4 |
| My Water by Orbital Systems app | 5 |
| Connect your shower | 5 |
| Operating the Orbital Shower | 7 |
| Shower Menu | 8 |
| Shower Menu Features | 9 |
| Pair your device with Orbital Audio | 11 |
| Automated cleaning | 13 |
| Maintenance | 14 |
| Maintenance Routines & Notifications | 15 |
| Change the Filter Capsule | 16 |
| Descal | 19 |
| Clean the drain | 21 |
| Low UV level | 24 |
| Clean shower heads, Control Dial and external surfaces | 25 |
| Screen cleaning mode | 25 |
| Detergent cleaning | 26 |
| Hibernation mode | 28 |
| Prerequisites and Approvals | 29 |
| Service | 29 |
| EU Declaration of Conformity | 30 |

Thank you for your purchase

This manual applies to model OS8732-Ei2, OS8733-E with *Shower profile: Business*. The Business profile is recommended for hotels, dressing rooms, spas, and similar, where you want the Control Dial interface and features to be optimized for first-time users. If your shower profile is not already set to Business, you can adjust this in the **My Water by Orbital Systems** app.

 Read the Safety Guide before starting the installation or before operating the shower.

Thank you for purchasing the Orbital Shower from Orbital Systems. To enjoy the full potential of the shower please read and follow the procedures in this manual. Make sure that you fully understand how to operate this shower and make sure that it is properly maintained in accordance with the instructions given in this manual. Do not discard this manual, keep it handy for future reference. This manual is valid for all shower models. When applicable, the manual will only display the Orbital Systems shower head & hand shower variant.

My Water by Orbital Systems app

The **My Water by Orbital Systems** app allows you to access all shower settings and receive notifications when maintenance and care are needed. It also shows the shower's performance and how much water and energy you save.

When using the Business profile, maintenance notifications don't appear in the Control Dial, but only in the app. Download the app to keep track of your shower maintenance.

Download it on the App Store or Google Play



Connect your shower

The **My Water by Orbital Systems** app is also used to connect your shower to your Wi-Fi. This enables you to receive the latest software releases and get remote troubleshooting support from our Orbital Support team. Follow the steps below to connect your shower.

-
1. Tap **Sign up** to create an account.
-
2. Go to **Add Device** and follow the instructions provided in the app.
-
3. Once your shower is connected, we recommend starting with the following settings:
 - a. Go to **Device information** to add a name to your shower.

 - b. Go to **Settings** to adjust your Control Dial shower profile to **Home** or **Business**.

 - c. Go to **Advanced Settings** to set up the **Date & Time**.

Here are some of the other settings you can access in the app:

Custom message

Add a custom message that appears in the Control Dial when the shower is approached.

Instant start

During an Instant start time, the shower delivers water the instant it is started. The shower primes the system approximately one minute before an Instant start time. Set the timer to an interval when most of your guests normally use the shower.

Savings modes

We offer different modes to help you balance comfort and savings. By allowing some variations in both flow and temperature, you can save even more water.



Earth



Moon



Mars

Note that your chosen mode is not visible in the Control Dial. Make sure to inform your users if using a mode compromising comfort.

Operating the Orbital Shower

Tap to start and stop the shower. Turn to adjust the temperature.

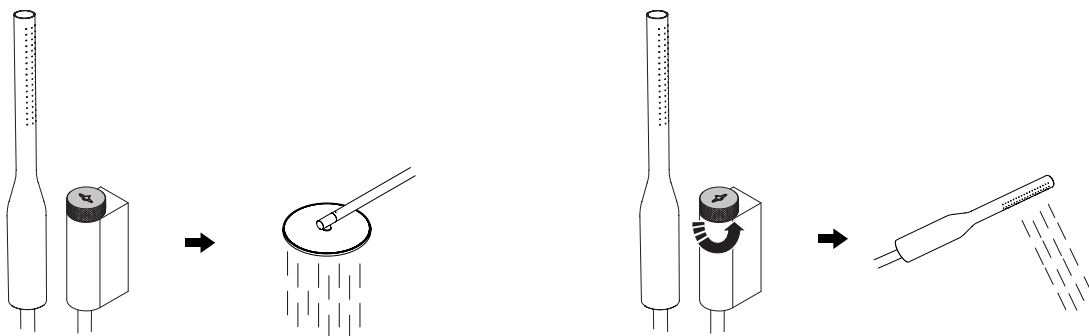
The Orbital Shower performs a short startup sequence to fill up the system and adjust the water temperature before water starts pouring. After the shower session, it also performs an Express cleaning sequence to empty and prepare the system for the next user. Use the My Water app to set an *instant start time [5]*, which primes the shower to deliver water the instant it is started. More details are available in the app.



Long press to access the water flow. Turn to adjust. This function can only be accessed during a shower session. Tap the screen again, or wait for five seconds to return.

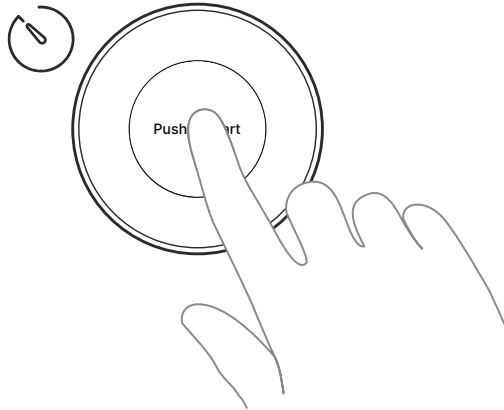


Turn the diverter to switch between the shower head and hand shower

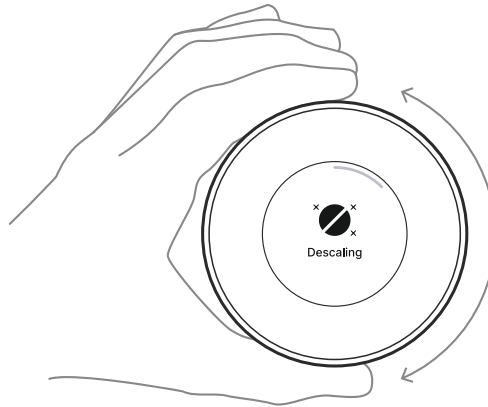


Shower Menu

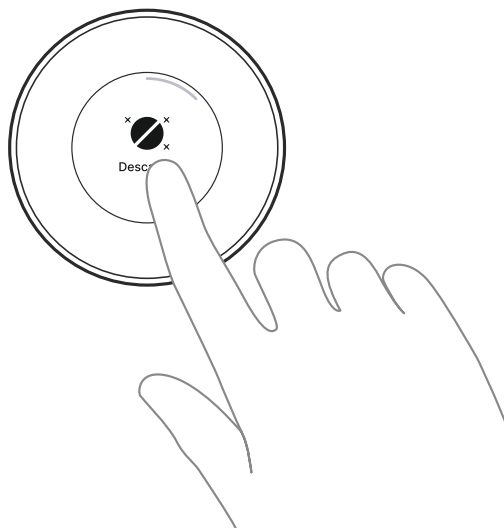
1. Long press for 7 seconds to access the shower menu.



2. Turn to navigate.



3. Tap to select feature.



Shower Menu Features

The Shower profile: Business shower menu is primarily designed for maintenance and configuration purposes and is not intended for the end users.

Descale

Activates the Descaling procedure. Descaling is part of the regular shower maintenance procedure and should always be run with a Descaling Tablet for optimal effect. This feature can only be accessed while the shower is not running. For more details see Chapter [Descale \[19\]](#).

Flow boost

Lets the shower provide a higher flow than the incoming water supply, while the shower is recirculating. This feature can be accessed in My Water.

Asteroids

Take to space and set new high scores while showering. Navigate the space ship safely through an asteroid rain on its way to Mars - just make sure to not get hit!

Deep cleaning

Activates Deep cleaning. Deep cleaning is part of the Automated cleaning. It can also be activated manually from the shower menu. This feature can only be accessed while the shower is not running. For more details, see Chapter [Automated cleaning \[13\]](#).

Detergent cleaning

Activates Detergent cleaning. Detergent cleaning is part of the preparation for Hibernation mode. Reached from the shower menu, it can also be activated manually. This feature can only be accessed while the shower is not running. For more details, see Chapter [Detergent cleaning \[26\]](#).

Hibernation mode

Sets the shower into a resting state. This feature can be activated when the shower won't be used for longer periods of time, for example in between stays in a summer house or off-season at a hotel. This feature can be accessed in the Control Dial or in My Water. For more details, see Chapter [Hibernation mode \[28\]](#).

Shower ID


Displays the shower's unique ID. The shower ID is used for example when you want to add the shower to your My Water account. This feature can only be accessed while the shower is not running.

 **Add Wi-Fi**

Tap to initiate the shower Wi-Fi setup, then continue the procedure through the My Water app. This feature can only be accessed while the shower is not running.

 **Dark theme / Light theme**

The Control Dial has two visual themes: Dark theme and Light theme. This setting can be changed in the Control Dial or in My Water.

 **Screen cleaning mode**

Locks the Control Dial screen to allow for cleaning without triggering the touch-screen. For more details, see [Screen cleaning mode \[25\]](#).

Pair your device with Orbital Audio

Orbital Audio is an optional add-on product, and the following instructions are valid if your shower is installed with Audio.

You will find the name and PIN of your Orbital Audio on the amplifier. The placement of the amplifier depends on your installation model. For **Basic**, the amplifier is mounted on the wall next to the Core. For all other models, you find the amplifier mounted in the top left corner, inside the Wall Box.

Access the Wall Box

Hatch Panel

Use the magnetic key to open the door. However, it is only needed if the door lock has been installed and activated.

Hatch LK & Hatch Cabinet

Use a screwdriver or similar to unlock the door.

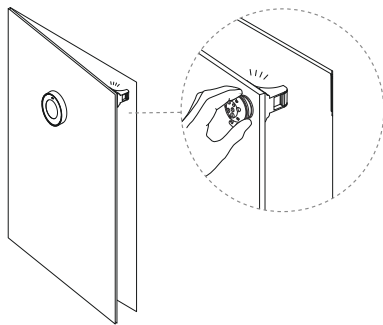
Hatch Tiled

Press the upper left corner to tilt the door open. Then, lift the door off the lower brackets.

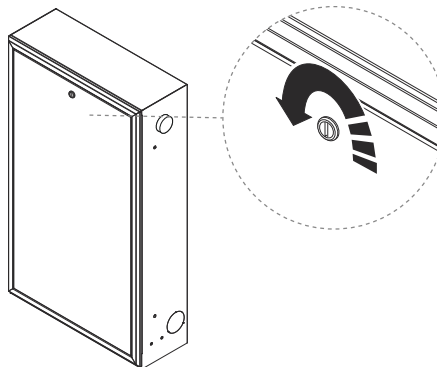


CAUTION

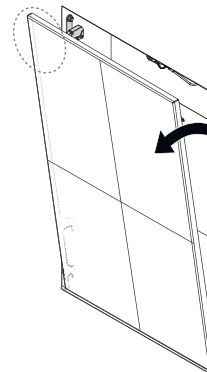
The weight of the Hatch Tiled door is approximately **8-12 kg**, depending on the tile thickness. Be careful when lifting.



Hatch Panel

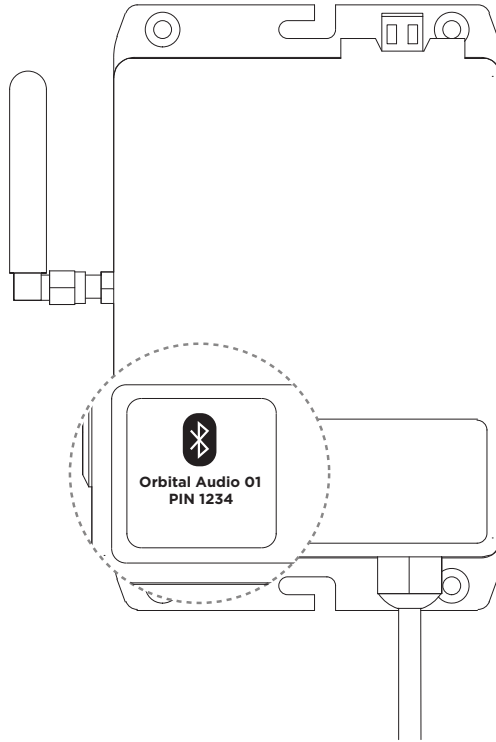


Hatch LK & Hatch Cabinet



Hatch Tiled

-
1. Check the name and PIN on the amplifier.




-
2. Go to the Bluetooth settings in your device, and select your Orbital Audio in the list.
-
3. Enter the PIN. This is only needed the first time you pair your device.
-
4. Play music from your paired device.



NOTE

When using the *Business profile* you can pair one device at a time to the speaker. This means that you will need the PIN each time you pair another device. Make sure to have the PIN available to your end users.

Automated cleaning

| Procedure | Description | Duration |
|---|---|-----------|
| Express cleaning | Express cleaning is performed directly after a shower session has finished, to prepare for the next one. During the Express cleaning the shower heats water internally and circulates it inside the Core - similar to the Deep cleaning but faster and without the shower head cleaning. | ~ 4 min. |
| Deep cleaning (+ shower head cleaning) | <p>During the Deep cleaning, the shower heats water and circulates it internally. The shower then proceeds to clean the inside of the shower heads by pushing out small amounts of warm water that drips into the shower space. This cleans the shower head or the hand shower, depending on the position of the diverter. Regularly alternate the diverter's position after shower sessions to clean both the hand shower and the shower head. Should the radar detect a presence in, or close to, the shower space during the shower head cleaning it will pause instantly. Deep cleaning will be done once a day, each day the shower has been used. If the shower has not been used, the deep cleaning will be skipped for a maximum of four days in a row. The start time can be customized in the My Water app.</p> <p> CAUTION While the sequence is active, the shower heads will output small bursts of hot water into the shower space.</p> | ~ 19 min. |

Maintenance

Follow the cleaning and maintenance instructions in this manual to maximize the shower's lifespan and performance.

The Orbital Shower uses a number of consumable components that will require periodic replacement to ensure optimal performance throughout the product's lifespan. The frequency of consumable replacement depends on a number of factors including usage, water quality, contamination levels and the adherence to regular maintenance and cleaning procedures outlined in this manual. All consumables are included in the Care and Optimization Plan. [Contact Orbital Support](#) when you need to order new consumables. To read more about each specific consumable, see the information below.

Do not use any corrosive detergents or abrasive cloths during the cleaning and maintenance of the Orbital Shower.



Filter Capsule

The Filter Capsule is a consumable and should be changed as soon as prompted by the system. It is essential to maintain a high standard of water purification and general shower functionality. The Filter's lifespan could be reduced if, for example, toothpaste or fatty products like oils are used while showering.

Descaling tablet

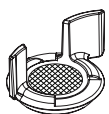
The Descaling tablet is a consumable and should always be used when running the Descaling procedure. Please exit the shower area while the descaling procedure is running. The active chemical ingredients in the Descaling tablets are fully biodegradable and environmentally friendly. The chemicals are food-safe and typically used for descaling coffee machines.

Orbital Shower detergent

The Orbital Shower detergent is a consumable and should always be used when running the Detergent cleaning program. Please exit the shower area while the detergent procedure is running.





Recirculation Mesh

The Recirculation Mesh is *not* a consumable and should only be replaced if it is damaged or not functioning properly. The Recirculation Mesh is automatically cleaned after each shower session. However, it should also be inspected and cleaned whenever the Sensor Tank is cleaned. Failing to maintain the Recirculation Mesh may lead to clogging which will affect the ability to recirculate water. Please contact Orbital Systems if Recirculation Mesh needs to be replaced.



Maintenance Routines & Notifications

We recommend that the maintenance routines are performed with the following time intervals to optimize the performance of the shower.

| Maintenance procedure | When to perform | Estimated time to perform | Consumables needed |
|---|--|---------------------------|---|
|  <p>Change the Filter Capsule - See Chapter Change the Filter Capsule [16] for detailed procedure instructions.</p> | <p>On average, the Filter needs to be changed every three months (assuming one shower session per day). The My Water app allows you to monitor the Filter capacity and see when it needs to be replaced. The maximum time until it needs to be replaced is 200 days.</p> | -15 s | <p>Filter Capsule: Replace when depleted. This consumable is included in the Care and Optimization Plan.</p> |
|  <p>Descal - See Chapter Descal [19] for detailed procedure instructions.</p> | <p>Recommended to perform once a week, or if the Maintenance icon is shown more frequently in My Water app (typically every 20th shower session).</p> <p>Optimise the descaling notification intervals by setting your water hardness in the My Water app settings.</p> | -15 s | <p>Descaling Tablet: This consumable is included in the Care and Optimization Plan.</p> |
| <p>Clean the drain - See Chapter Clean the drain [21] for detailed procedure instructions.</p> | <p>Recommended to perform once a month or more frequently if the notification <i>Clean the drain</i> is shown in My water.</p> | -3 min | |
|  <p>Low UV level - See Chapter Low UV level [24] for more information.</p> | <p>This maintenance icon is shown in My Water when the UV level is low (typically very rare. The frequency varies depending on the contamination load and hardness of the water.). Contact Orbital Support for further assistance.</p> | | |
|  <p>Lost Internet Connection</p> | <p>When this icon is shown in My Water it indicates that the shower can not connect to the internet. Troubleshoot your connection and check your network settings.</p> | | |

Change the Filter Capsule

Needed consumable: Filter Capsule

- Filter Capsule Model No: **OS C1050085A10**
- Use only Orbital Systems Filter Capsule **OS C1050085A10** in the shower system
- Spare Part Reference: 1-05-0496 Filter Capsule

Icon shown in My Water app when Filter Capsule change is needed:



Access the Wall Box

Hatch Panel

Use the magnetic key to open the door. However, it is only needed if the door lock has been installed and activated.

Hatch LK & Hatch Cabinet

Use a screwdriver or similar to unlock the door.

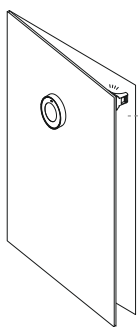
Hatch Tiled

Press the upper left corner to tilt the door open. Then, lift the door off the lower brackets.

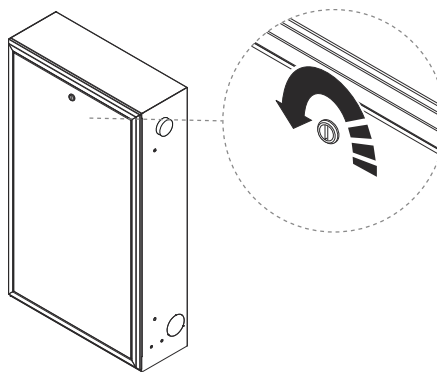


CAUTION

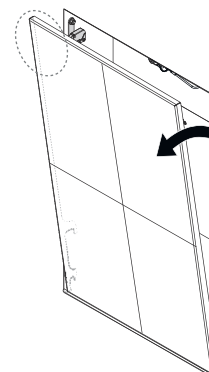
The weight of the Hatch Tiled door is approximately **8-12 kg**, depending on the tile thickness. Be careful when lifting.



Hatch Panel

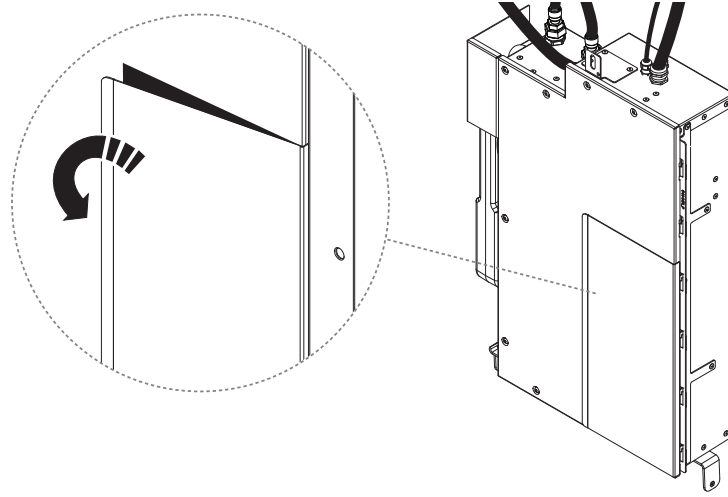


Hatch LK & Hatch Cabinet

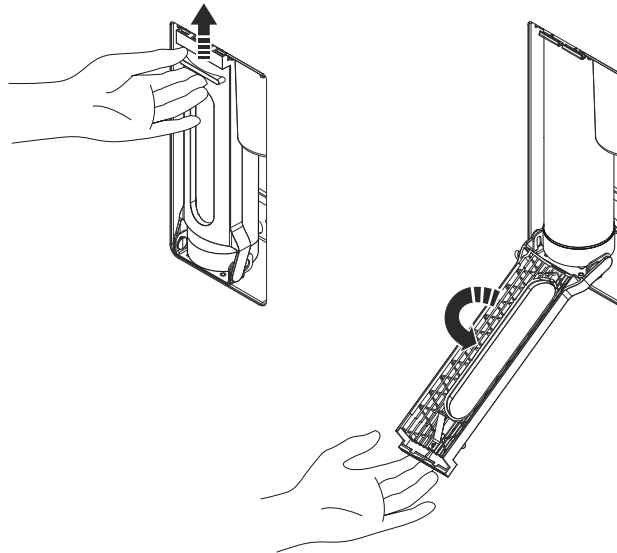


Hatch Tiled

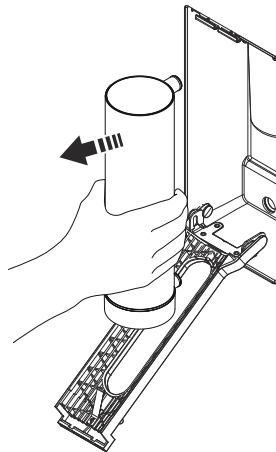
1.



2.



3.

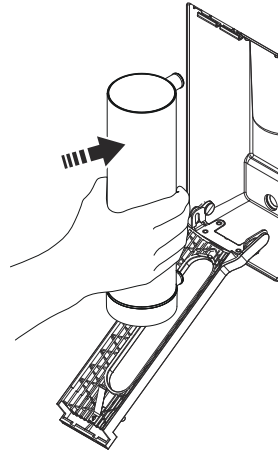


4. Insert the new Filter Capsule and close the hatch.

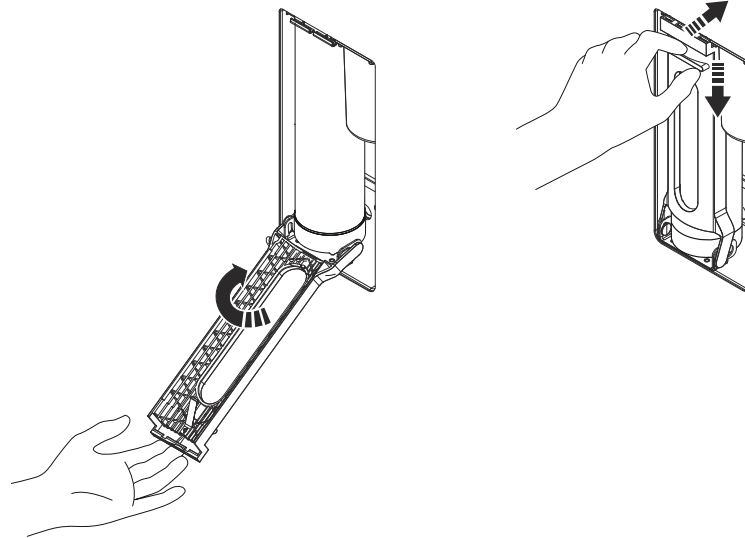


RISK OF LEAKAGE

Make sure the Filter Capsule is inserted all the way in, or leakage may occur.



5. "Click!"



Descal

Needed consumable: Descaling tablet



CAUTION

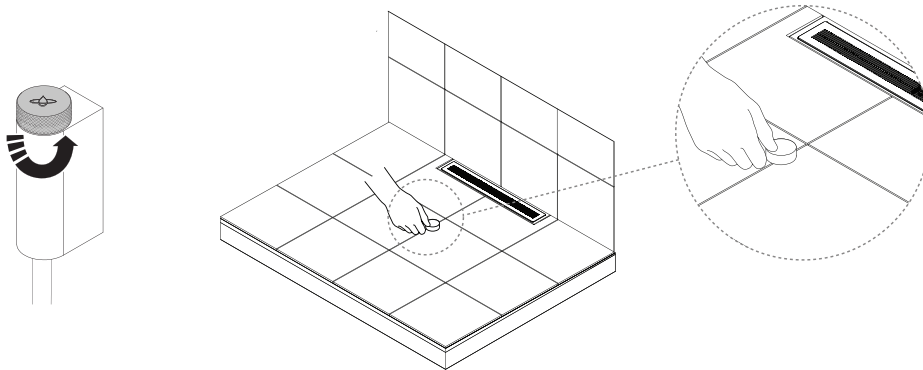
Please exit the shower area while the descaling is active. Once the descaling has started, water will start to pour out of the shower heads.

Icon shown in My Water app when descaling is needed:

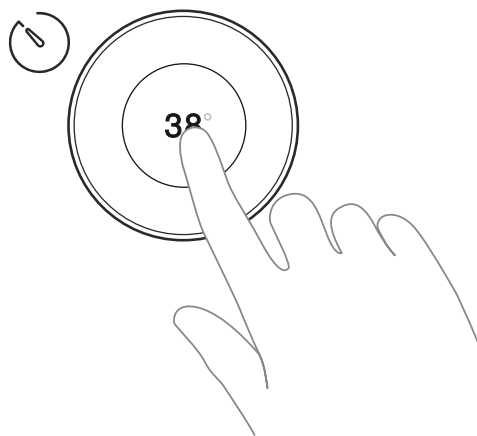


1. Turn the diverter to a position between the hand shower and shower head so that water pours out of both during the descaling. Place the Descaling tablet on the floor, directly in the stream of water, so it dissolves.

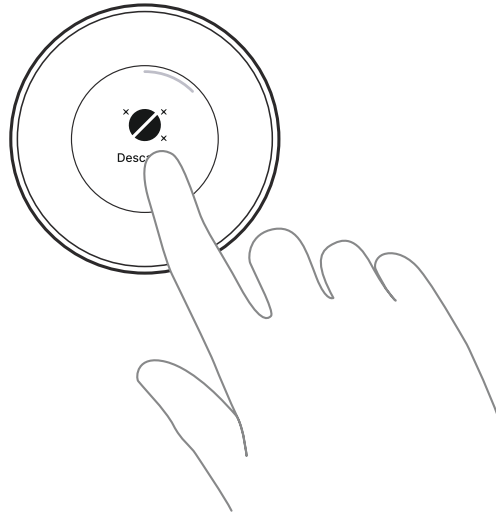
If you have a third-party diverter that can not be set to run water through the shower heads simultaneously, run a separate descaling for each shower head individually.



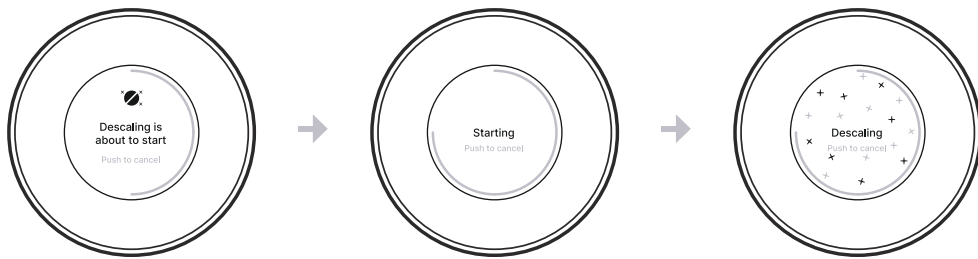
2. Long press to access the shower menu.



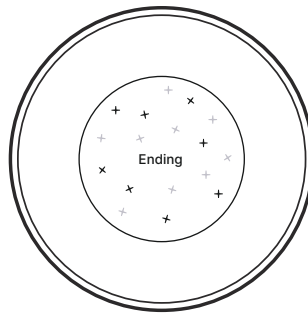
3.



4.



5. Descaling is completed.



Clean the drain

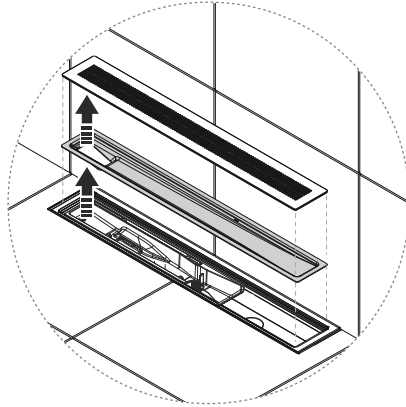
Needed tools: Cleaning agents



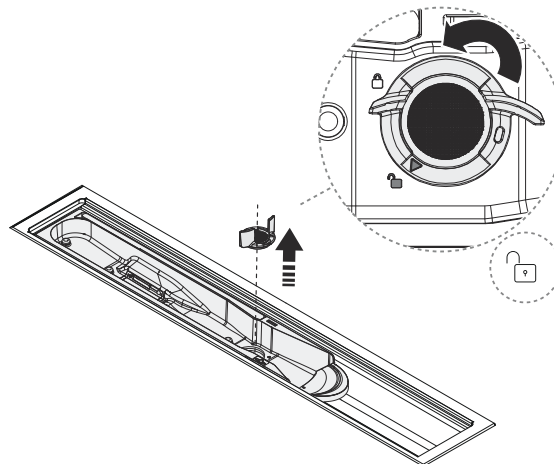
CAUTION

Do not use any corrosive detergents or abrasive pads/cloths as it might damage the Sensor Tank.

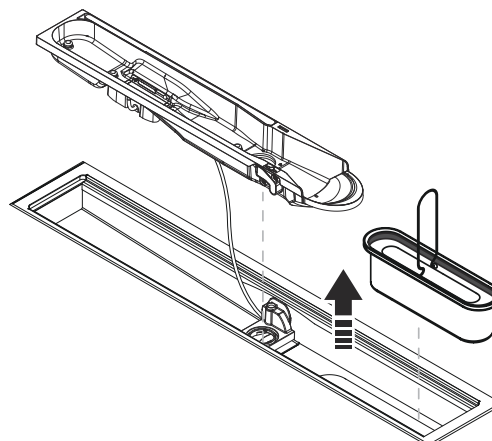
1.



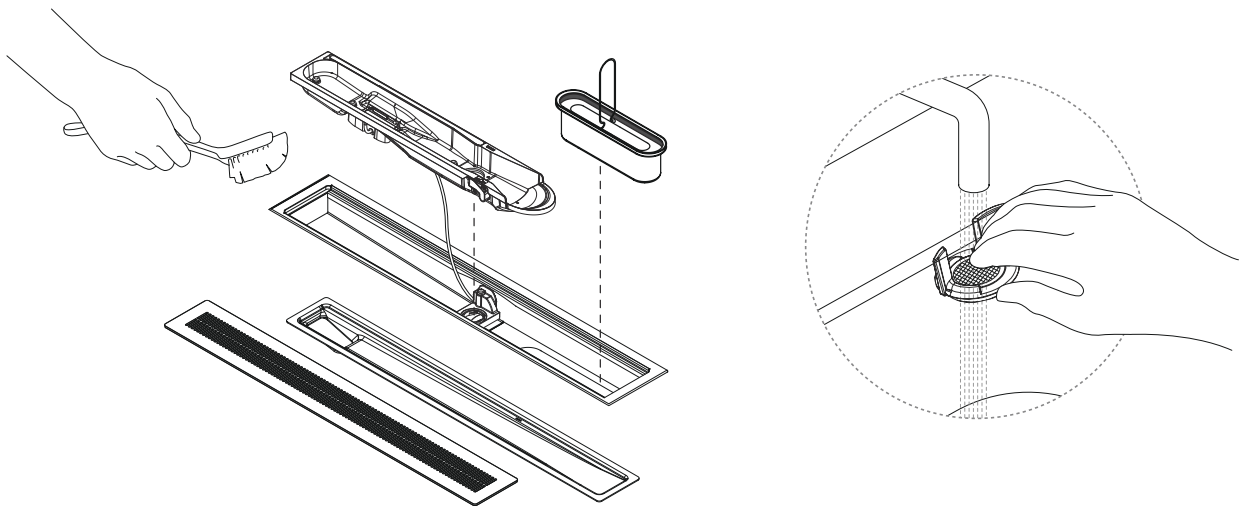
2.



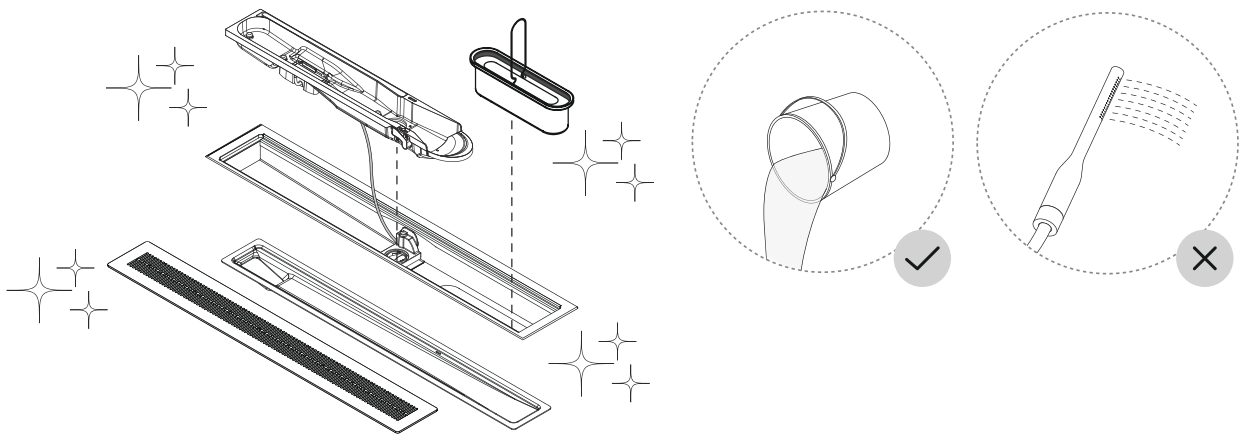
3.



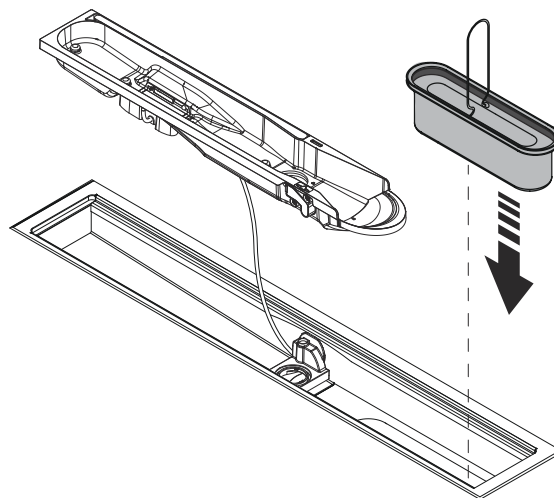
-
4. Use non-abrasive cleaning agents only. Make sure to clean all surfaces of each component, including the drain unit.



-
5. Rinse thoroughly with water. Use water from an other source than the shower.



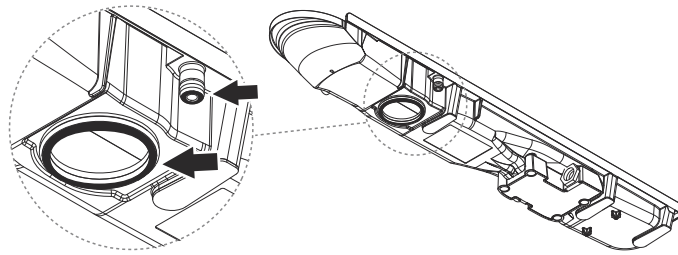
-
- 6.



7. 

NOTICE

Make sure the O-ring is correctly mounted before reassembly of the Sensor Tank.

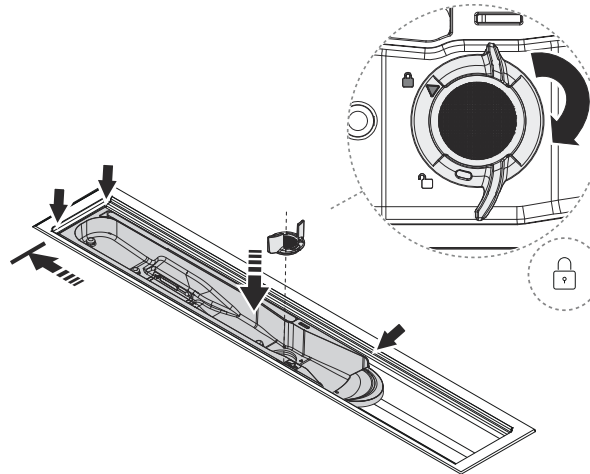


8. Insert Sensor Tank. Lock the Sensor Tank in position with the Sensor Tank lock by turning it 90 degrees.



CAUTION

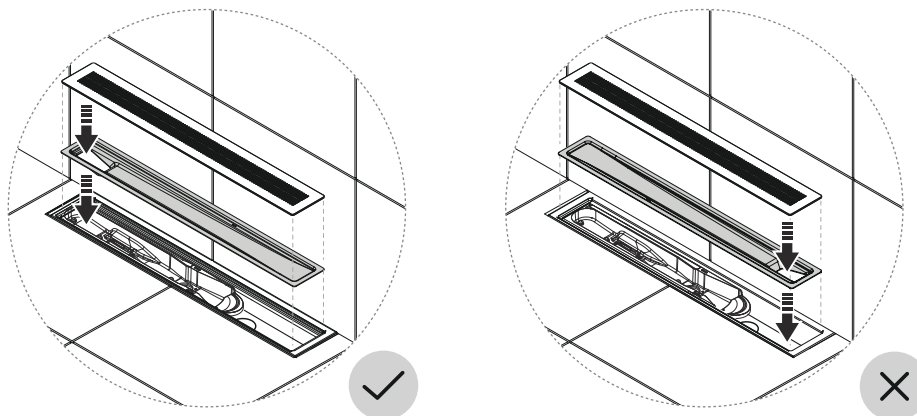
Make sure the Sensor Tank is inserted correctly. Its edge should be fully pushed towards the drain unit's edge.



9. 

NOTICE

Place the Funnel with the hole oriented to the left! Placing the hole oriented to the right will disable recirculation.



Low UV level

Icon shown in My Water app when the UV level is low:

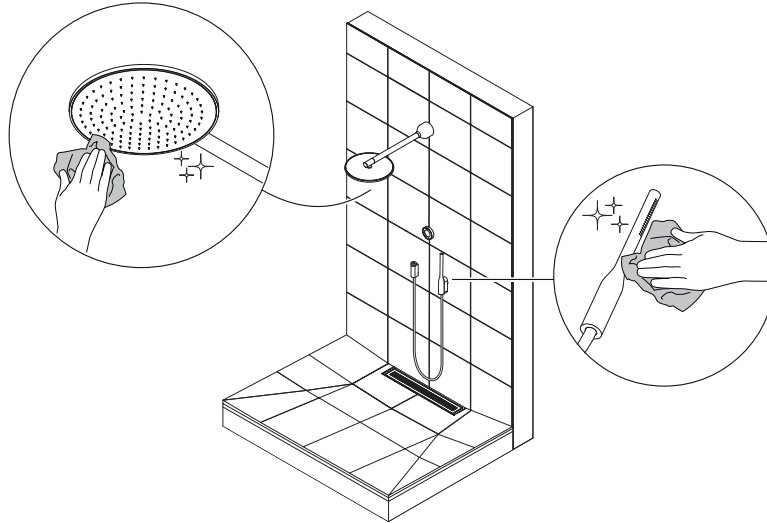


A low UV level may be caused by several factors. When the UV level is low, the shower will not be able to save water. Please contact Orbital Support for assistance with troubleshooting.

Clean shower heads, Control Dial and external surfaces

Use a soft cloth with mild cleaning detergent to clean the shower heads and external surfaces of your Orbital shower, such as the Control Dial and Hatch Panel door. Rinse thoroughly with water after cleaning. Avoid using corrosive detergent or abrasive cloths to ensure the surface layers will not be damaged.

When cleaning the head shower, be careful not to press the spray nozzles too hard to prevent them from getting pushed in.

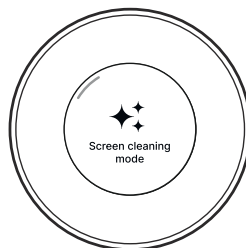


Screen cleaning mode

Use the Screen cleaning mode to lock the Control Dial screen to avoid accidentally triggering the touch-screen. During Screen cleaning mode, all touch inputs are disabled.

1. Long press the Control Dial to access the shower menu.

2. Navigate to **Screen cleaning mode**.



3. Tap the screen to activate.

Turn the Control Dial to the right or left to unlock the screen again.

Detergent cleaning

Needed consumable: Orbital Shower detergent

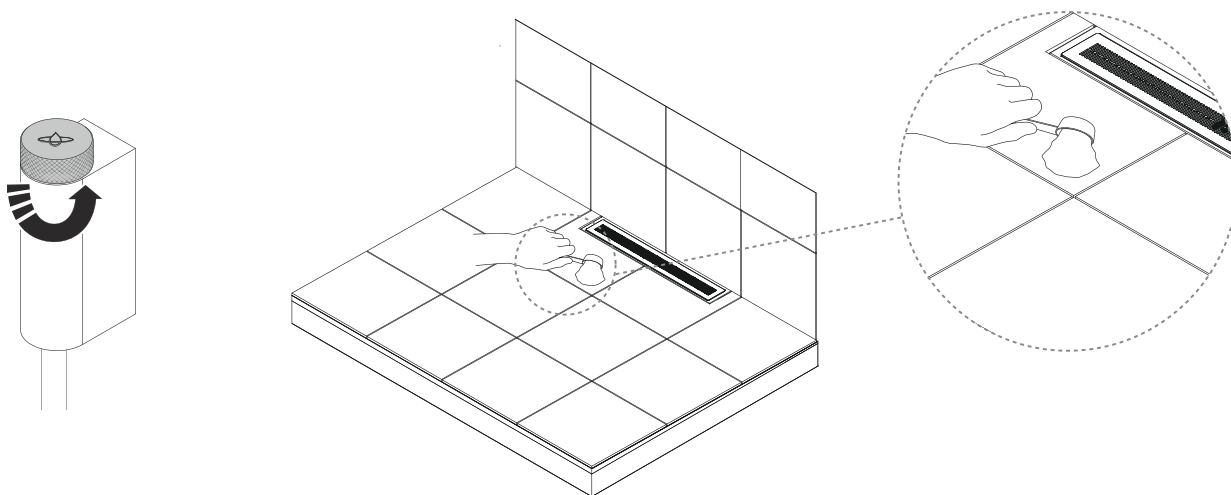
Detergent cleaning is a program that thoroughly cleans the inside of the Shower Core using the Orbital Shower detergent. It is a part of the preparation for [Hibernation mode \[26\]](#), but can also be started manually to clean the system as a complement to the automated cleaning procedures.



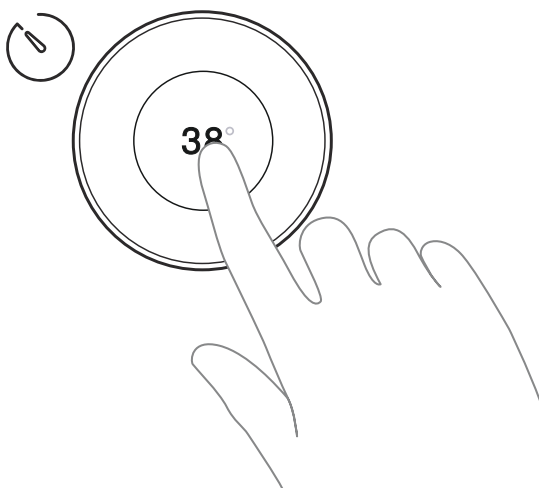
CAUTION

Please exit the shower area while the Detergent cleaning is active. Once the cleaning has started, water will start to pour out of the shower heads.

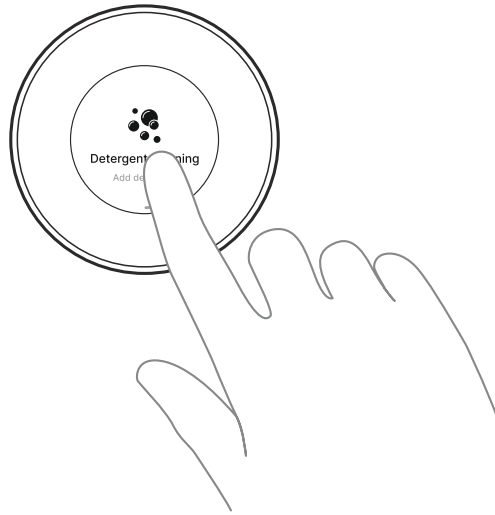
1. Turn the diverter to a position between the hand shower and shower head so that water pours out of both during the cleaning program. Place the detergent on the floor, directly in the stream of water, so it dissolves.



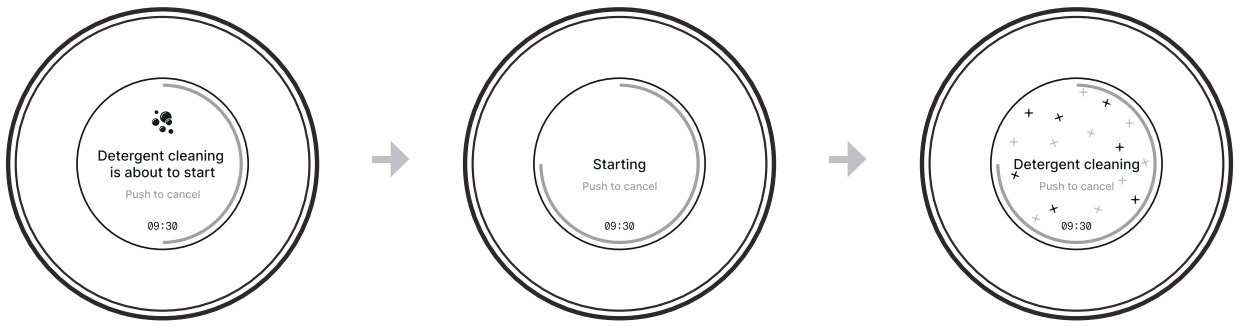
2. Long press to access the shower menu.



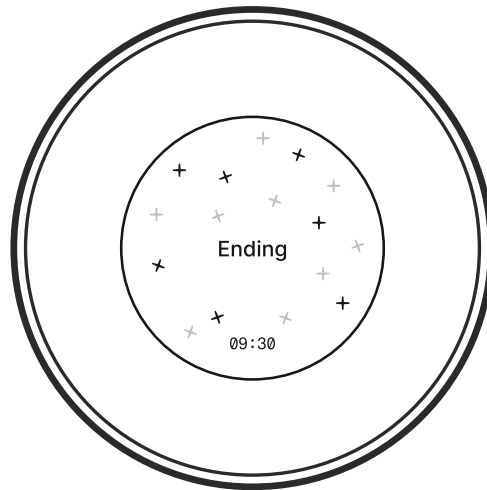
3.



4.



5. Detergent cleaning is completed.



Hibernation mode



Use the Hibernation mode to set your shower in a resting state for seasonal or periodical inactivity. While in Hibernation mode, the shower cannot be used and does not respond to scheduled actions such as Deep cleaning or Instant start schedules.

Hibernation mode is accessed through the Control Dial or in the My Water app. Once activated, it will stay on until you turn it off. You can turn it off in the shower settings or remote control in the My Water app, or via the Control Dial in the shower.

Orbital Systems recommends not keeping your shower in Hibernation mode longer than **9 months** at a time. For longer time periods, Orbital Systems can't guarantee full product functionality.

To secure optimal functionality, it is important to prepare your shower before activating the Hibernation mode. **Perform the following steps:**

-
1. Clean the drain (see [Clean the drain \[21\]](#)).

 2. Change the Filter (see [Change the Filter Capsule \[16\]](#)).
If the Filter was recently changed, this step can be skipped.

 3. Prepare for Detergent cleaning by placing detergent on the floor. When turning on Hibernation mode, the shower will automatically start a Detergent cleaning program (see [Detergent cleaning \[26\]](#)).

When turning off Hibernation mode the shower automatically runs a Deep cleaning program. To run a Deep cleaning program, the shower has to be connected to the incoming water supply. Once the Deep cleaning is done, the shower can be used as normal and will revert back to automatically performing Deep cleaning and preparing for Instant start as scheduled.



CAUTION

- The shower shall still be connected to power while the Hibernation mode is turned on.
- The shower shall never be exposed to freezing temperatures since it will result in imminent risk of damage and leakage.

Prerequisites and Approvals

Orbital Shower is designed and type approved according to the Swedish requirements in Swedish National Board of Housing and Building & Planning regulations (BBR). The system is type approved according to RiSE C900373 & C900374, Kiwa 1513; 0753 and Kiwa safety certificate K100686/02, connection safe W 540 DVGW CERT AS-0605DO0262 and meets ETA Denmark's requirements via technical approval for use according to TGA.2023/005.

Orbital Shower is CE-marked based on certificate and test reports from third party labs.



If industry regulations and instructions in this manual are followed, Orbital Systems guarantees a functional shower system.

Service

Orbital Systems and our team of expert staff are available to assist you if you require product advice, experience any problems, need to purchase spare parts or to set up a service appointment.

Repairs should only be carried out by Orbital Systems.

Contact us

- support@orbital-systems.com
- www.orbital-systems.com

EU Declaration of Conformity

We Orbital Systems AB,
 Östergatan 32
 211 22 Malmö
 Sweden

Hereby declare that this DoC is issued under our sole responsibility and belongs to the following product:
OS8733-E

This declaration is in conformity with the relevant union harmonized legislations:

RED 2014/53/EU RoHS 2015/863 LVD 2014/35/EU

The following harmonized standards and technical specifications have been applied:

| | | |
|---------------------------------------|-----------------------|---------------------------|
| EN 300 328 V2.2.2 | EN IEC 61000-6-1:2019 | ETSI EN 301 489-1 V2.2.3 |
| EN 60335-1:2012;A11;A13;A1;A14;A2;A15 | EN IEC 61000-6-2:2019 | ETSI EN 301 489-17 V3.2.4 |
| EN 60335-2-35:2016;A1;A2 | EN IEC 61000-6-3:2021 | |
| EN 62233:2008 | EN IEC 61000-6-4:2019 | |

Additional standard that has been applied to product where applicable:

| | | |
|---------------|----------------------|-----------------------|
| EN 1717 | EN 1112 | BBR |
| EN13076 | EN 1113 | Danish VA Godkendelse |
| BRL-K14011/01 | EN 1253-1 | Danish TGA |
| DVGW W 540 | KTW / W270 | Säker Vatten |
| EN 1111 | 4 MS Material Safety | |

The product has undergone mandatory or voluntary certification procedures in order to receive the following certificates:

| | | |
|--------------|-----------|----------------------|
| RiSE C900373 | KIWA 0753 | TGA Nr. TGA.2023/005 |
| RiSE C900374 | | |

Signed for and on behalf of Orbital Systems AB



| Place | Date | Name | Position |
|-------|------------|-------------------|----------|
| Malmö | 2024-05-31 | Mehrdad Mahdjoubi | CEO |

5-01-0005_C

The manufacture of this product has been made in accordance with the Type-approved decision on production control and the documents submitted to the decision of issue of this certificate.

ORBITAL



CERTIFIED SPACE TECHNOLOGY