



User Guide

Orbital Tap & Tank (OM8811-E & OT8911-E)

5-06-0039

Publication date 2024-09-23

Copyright © 2024,Orbital Systems


All rights reserved. No part of this document may be reproduced or copied in any form or by any means without written permission from Orbital Systems. The English language version of this document contains the original instructions. All other language versions are translations of the original instructions.

Table of Contents

| | |
|--|----|
| Thank you for your purchase | 4 |
| Service | 4 |
| Operating the Orbital Tap | 5 |
| Presets and menu features | 7 |
| Connect the Tap to your account and set up Wi-Fi | 8 |
| Maintenance | 10 |
| Long Periods of Inactivity | 10 |
| Clean Fresh Mesh | 11 |
| Clean Tank | 12 |
| Prerequisites and Approvals | 13 |
| EU Declaration of Conformity | 14 |

Thank you for your purchase

This manual applies to model OM8811-E & OT8911-E

 Read the Safety Guide before starting the installation or before operating the product.

Thank you for purchasing the Orbital Tap from Orbital Systems. To enjoy the product's full potential, please read and follow the procedures in this manual. Make sure that you fully understand how to operate the product and make sure that it is properly maintained in accordance with the instructions given in this manual. Do not discard this manual, keep it handy for future reference.

Service

Orbital Systems and our team of expert staff are available to assist you if you require product advice, experience any problems, need to purchase spare parts or to set up a service appointment.

Repairs should only be carried out by Orbital Systems.

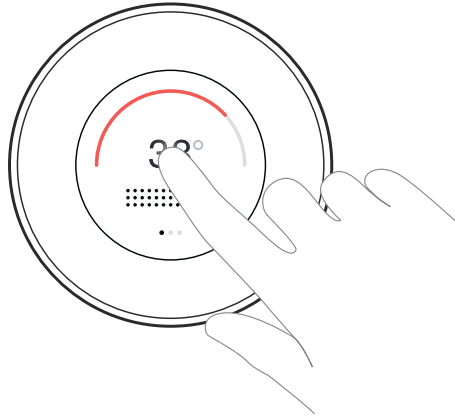
If the supply cord is damaged, it must be replaced by Orbital Systems to avoid a hazard.

Contact us

- support@orbital-systems.com
- www.orbital-systems.com

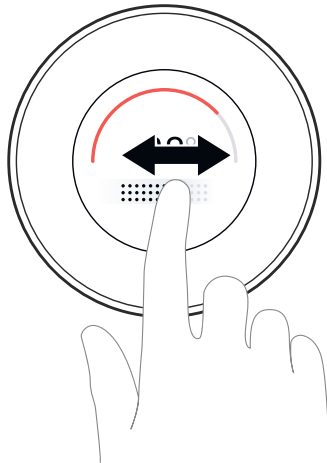
Operating the Orbital Tap

Tap the center of the Control Dial to start and stop



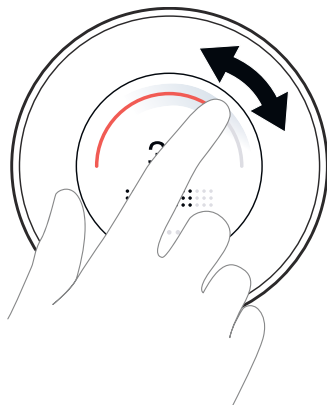
Slide the bar to adjust the water flow

Slide to the right to increase the flow, and to the left to decrease the flow. The darker dots indicate the current water flow.



Slide the arc to adjust the water temperature

Slide to the right to increase the temperature, and to the left to decrease the temperature. The bold part of the arc indicates the current temperature.



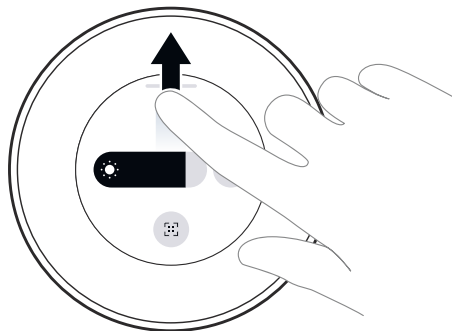
Swipe to the side to reach the presets

Change to Hand wash, Cold water, or Hot water. See [Presets and menu features \[7\]](#) for more details.









Swipe up to reach the Status center

Adjust the screen light, change to Dark/Light theme, see the Wi-Fi status, and reach the Device ID. See [Presets and menu features \[7\]](#) for more details.



Presets and menu features

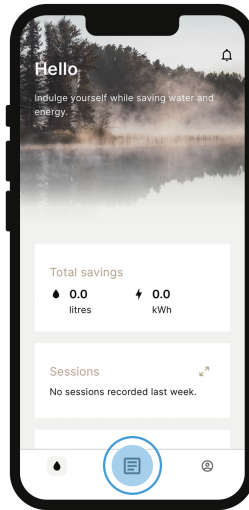
| | |
|---|---|
|  | <p>Hand wash</p> <p>Sets the water temperature to 38°C, and the water flow to 5 l/min.</p> |
|  | <p>Hot water</p> <p>Sets the water temperature as hot as possible.</p> |
|  | <p>Cold water</p> <p>Sets the water temperature as cold as possible.</p> |
|  | <p>Dark/Light theme</p> <p>The Control Dial has two visual themes: Dark theme and Light theme.</p> |
|  | <p>Device ID</p> <p>Displays the Tap's unique ID. The Device ID is used when you want to add the Tap to your My Water account.</p> |
|  | <p>Wi-Fi</p> <p>Indicates that the Tap can not connect to the internet. Troubleshoot your internet connection and check your network settings.</p> |

Connect the Tap to your account and set up Wi-Fi

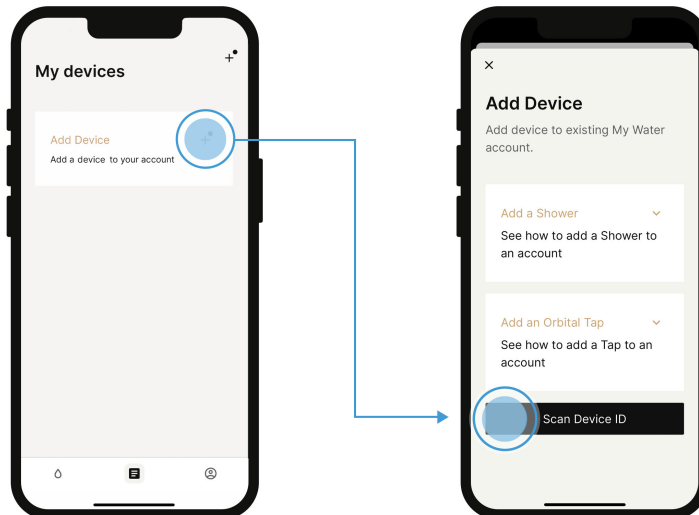
1. Download the **My Water by Orbital Systems** app from App Store or Google Play.

2. Tap **Sign Up** to create an account. Fill in the details asked in the app.

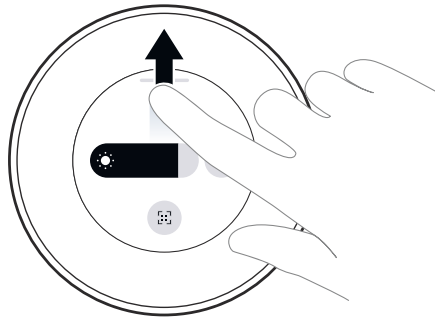
3. Once logged in to your account, tap the **bottom center icon**.



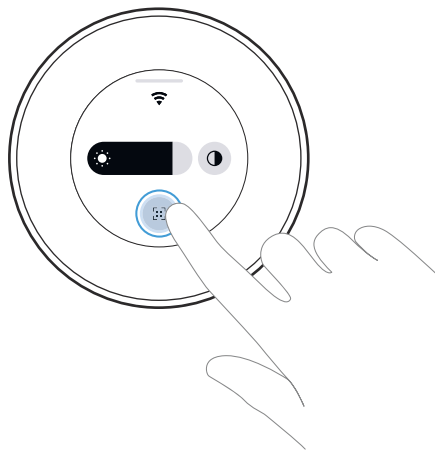
4. Tap **Add device**, and then **Scan Device ID**.



5. Swipe up to reach the **Control Dial Status center**.



6. Tap the **Device ID** symbol.



7. Scan the QR code and follow the instructions in the app to connect your device.



Your Orbital Tap is now connected!

Maintenance

Follow the cleaning and maintenance instructions in this manual to maximize the product's lifespan and performance. The maintenance instructions are valid for installations with or without the Orbital Mixer and Faucet.

The Orbital Tap uses a number of consumable components that will require periodic cleaning and/or replacement to ensure optimal performance throughout the product's lifespan. The frequency of consumable replacement depends on a number of factors, including usage and adherence to regular maintenance and cleaning procedures outlined in this manual. Contact Orbital Support when you need to order new consumables.

We recommend cleaning the Fresh Mesh and the Tank once a week, or when needed. Use one Cleaning tablet to clean the system and get a fresher bathroom experience.

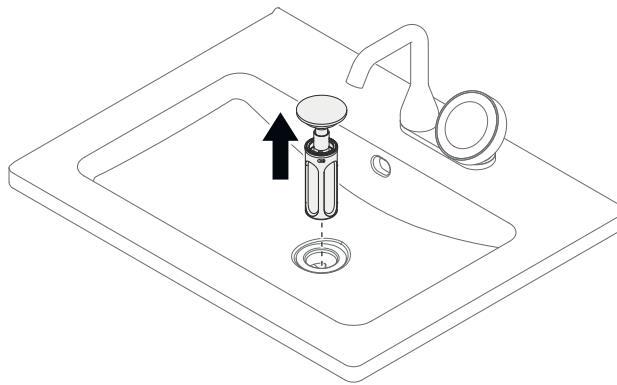
Do not use any corrosive detergents or abrasive cloths during the cleaning and maintenance.

Long Periods of Inactivity

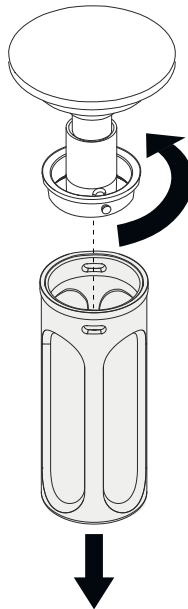
If leaving the product inactive for a long period of time, we recommend to empty the Tank by flushing the toilet three times and then proceed by performing a Cleaning Tank routine before the inactivity (see [Clean Tank \[12\]](#)).

Clean Fresh Mesh

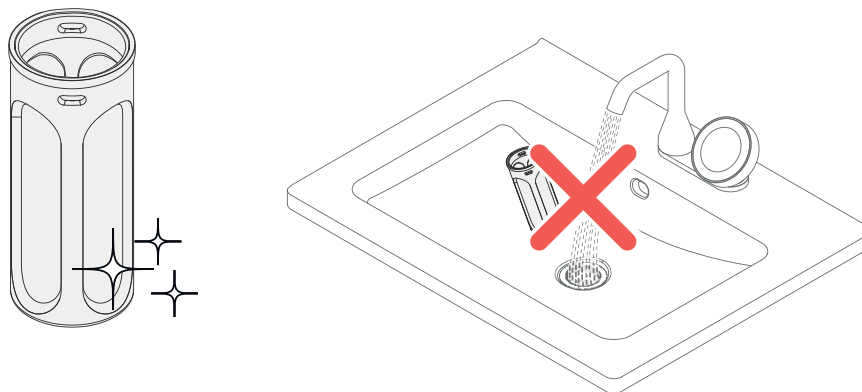
1. Lift the bottom valve together with the Fresh Mesh from the wash basin.



2. Separate the Fresh Mesh from the bottom valve by rotating the bottom valve to the right.

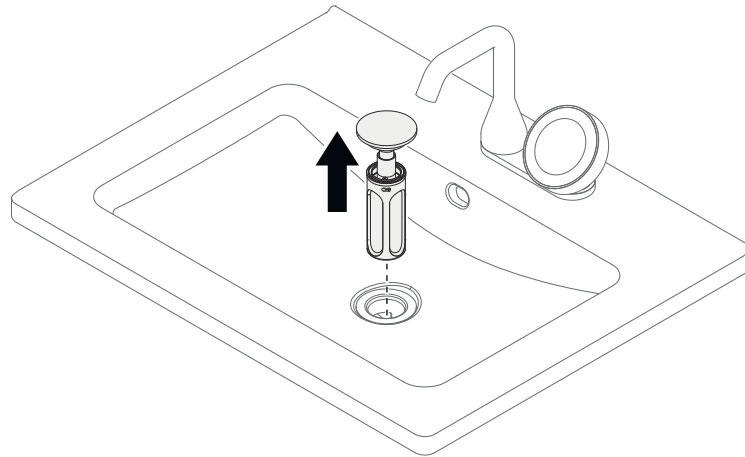


3. Clean the Fresh Mesh in the dishwasher or by hand.
Do not empty or rinse it in the wash basin.

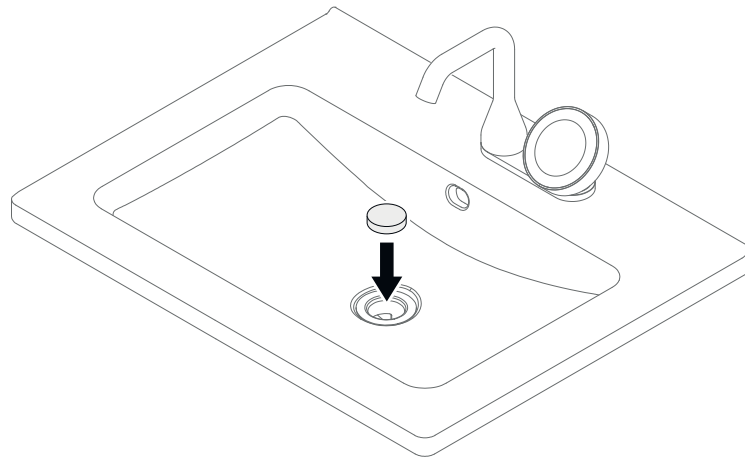


Clean Tank

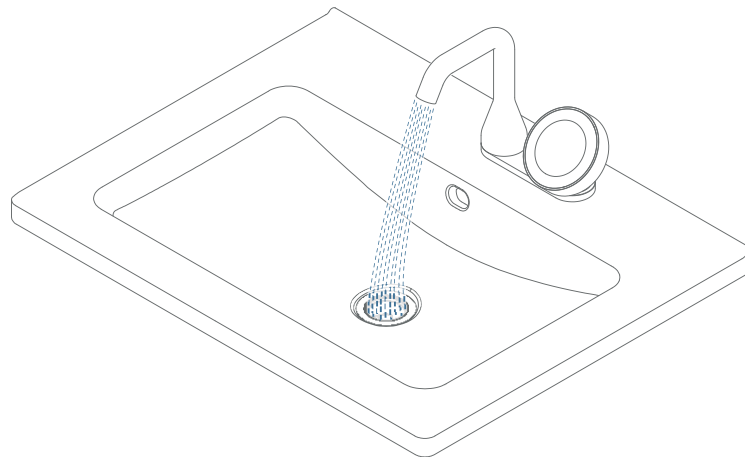
1. Lift the bottom valve together with the Fresh Mesh from the wash basin.



2. Add a Cleaning tablet to the drain.



3. Flush water for about 20 seconds to ensure the tablet reaches the Tank. Avoid flushing the toilet directly afterward for optimal effect.



Prerequisites and Approvals

Orbital Tap & Tank are designed according to the Swedish requirements in Swedish National Board of Housing and Building & Planning regulations (BBR).



Orbital Tap & Tank are CE-marked based on certificate and test reports from third party labs.

If industry regulations and instructions in this manual are followed, Orbital Systems guarantees a functional system.

EU Declaration of Conformity

We Orbital Systems AB,
 Östergatan 32
 211 22 Malmö
 Sweden

Hereby declare that this DoC is issued under our sole responsibility and belongs to the following product:
OM8811-E & OT8911-E

This declaration is in conformity with the relevant union harmonized legislations:

RED 2014/53/EU RoHS 2015/863 LVD 2014/35/EU

The following harmonized standards and technical specifications have been applied:

| | | |
|---------------------------------------|-----------------------|---------------------------|
| EN 300 328 V2.2.2 | EN IEC 61000-6-1:2019 | EN IEC 61000-6-4:2019 |
| EN 60335-1:2012;A11;A13;A1;A14;A2;A15 | EN IEC 61000-6-2:2019 | ETSI EN 301 489-1 V2.2.3 |
| EN 62233:2008 | EN IEC 61000-6-3:2021 | ETSI EN 301 489-17 V3.2.4 |

Signed for and on behalf of Orbital Systems AB



| Place | Date | Name | Position |
|--------------|-------------|-------------------|-----------------|
| Malmö | 2024-04-08 | Mehrdad Mahdjoubi | CEO |

The manufacture of this product has been made in accordance with the Type-approved decision on production control and the documents submitted to the decision of issue of this certificate.

ORBITAL



CERTIFIED SPACE TECHNOLOGY